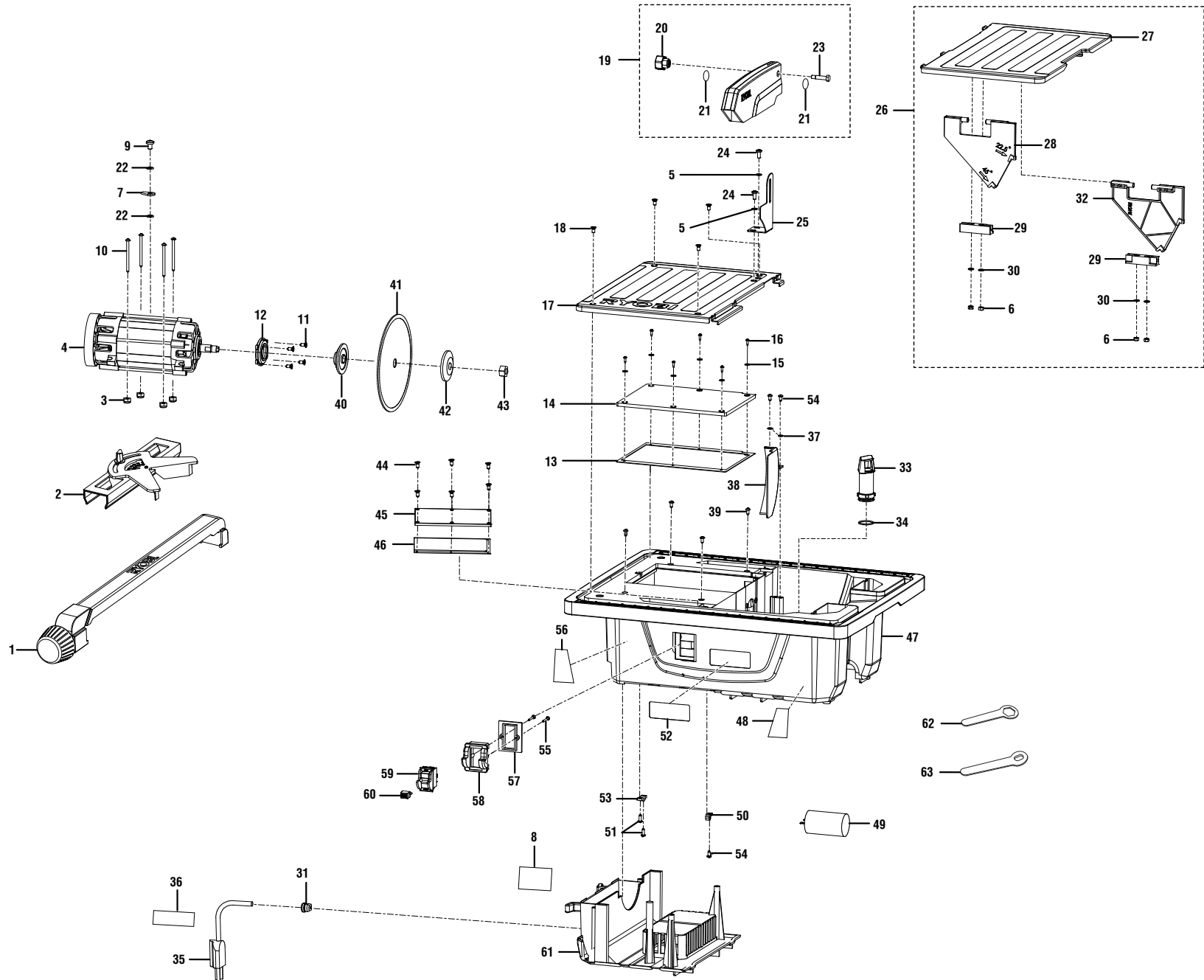


RYOBI TILE SAW – MODEL NUMBER WS7211

FIGURE A



RYOBI TILE SAW – MODEL NUMBER WS7211

The model number will be found on a plate attached to the housing. Always mention the model number in all correspondence regarding your **TILE SAW** or when ordering repair parts.

PARTS LIST FOR FIGURE A

Key Part No. Number	Description	Qty.	Key Part No. Number	Description	Qty.		
1	080009019703	Rip Fence Assembly	1	35	080009019708	Power Cord (Inc. Key No. 36)	1
2	080009019704	Miter Gauge Assembly.....	1	36	080009019903	Danger Label (GFCI)	1
3	411012001	Hex Nut (M5).....	4	37	080009019029	Washer (ID4 x OD9 x 0.8t).....	2
4	089009027701	Motor Assembly.....	1	38	080009019027	Baffle.....	1
5	080009019030	Washer (ID5 x OD9 x 0.8t).....	2	39	080009019018	Screw (M4 x 18 mm, Pan Hd.).....	4
6	080015001427	Lock Nut (M5).....	4	40	080009019033	Inner Flange	1
7	080009019089	Grounding Lead	1	41	080009002061	Cutting Wheel	1
8	080009019906	Data Label.....	1	42	080009019034	Outer Flange	1
9	080009019032	Screw (M4 x 8 mm, Pan Hd.).....	1	43	080009019035	Hex Nut (M12 x 1.5 mm).....	1
10	080009022024	Screw w/Lock Washer (M5 x 60mm, Pan Hd.).....	4	44	080009019008	Screw (M3 x 10 mm, Pan Hd.).....	6
11	080009019021	Screw (M3 x 8 mm, Pan Hd.).....	4	45	080009019007	Plate.....	1
12	080009019709	Front Seal Cap w/O-Rings.....	1	46	080009019006	Seal (Gasket).....	1
13	080009019023	Rubber Gasket.....	1	47	080009019713	Housing w/Labels (Inc. Key Nos. 48, 52 and 56).....	1
14	080009019024	Cover Plate	1	48	080009019900	Warning Label (English).....	1
15	080009019026	Washer (ID3 x OD8.5 x 0.5t).....	6	49	080009019009	Capacitor	1
16	080009019025	Screw (M3 x 12 mm, Pan Hd.).....	6	50	089110102109	Cord Clamp.....	1
17	080009019091	Work Table (Left)	1	51	080009019016	Screw (M4 x 14 mm, Pan Hd.).....	2
18	080009019037	Screw (M5 x 13.5 mm, Pan Hd.).....	4	52	080009019901	Logo Label	1
19	080009019701	Blade Guard Assembly (Inc. Key Nos. 20-23).....	1	53	080009019015	Clamping Pad	1
20	080009019055	Blade Guard Knob	1	54	080009019014	Screw (M4 x 9.5 mm, Pan Hd.).....	3
21	080009019905	No Hands Warning Label.....	2	55	080009019005	Screw (M3.5 x 25 mm, Pan Hd.).....	2
22	080015001496	Star Washer (M4)	2	56	080009019902	Warning Label (French/Spanish).....	1
23	080009019057	Screw (M6 x 30 mm, Hex Hd.).....	1	57	080009019004	Switch Panel	1
24	080009019059	Screw (M5 x 10 mm, Pan Hd.).....	2	58	080009019002	Switch Bezel	1
25	080009019054	Riving Knife.....	1	59	080009019710	Switch Assembly (Inc. Key No. 60).....	1
26	080009019712	Work Table Assembly (Incl. Key Nos. 6, 27-30 and 32).....	1	60	080009019088	Switch Key	1
27	080009019100	Work Table (Right)	1	61	080009019017	Housing Block.....	1
28	080009019062	Bevel Plate (Left)	1	62	080009019038	Wrench (A).....	1
29	080009019099	Rotation Plate	2	63	080009019039	Wrench (B).....	1
30	080009019064	Washer (ID5.4 x OD14 x 1.0t).....	4		Not Shown:		
31	080009019013	Strain Relief.....	1		990000100	Operator's Manual	1
32	080009019061	Bevel Plate (Right).....	1		4-26-13		
33	080009019010	Overflow Drain Assembly (Inc. Key No. 34)	1		(Rev:01)		
34	080009019011	O-Ring (D24.45 mm x D2.5 mm).....	1				