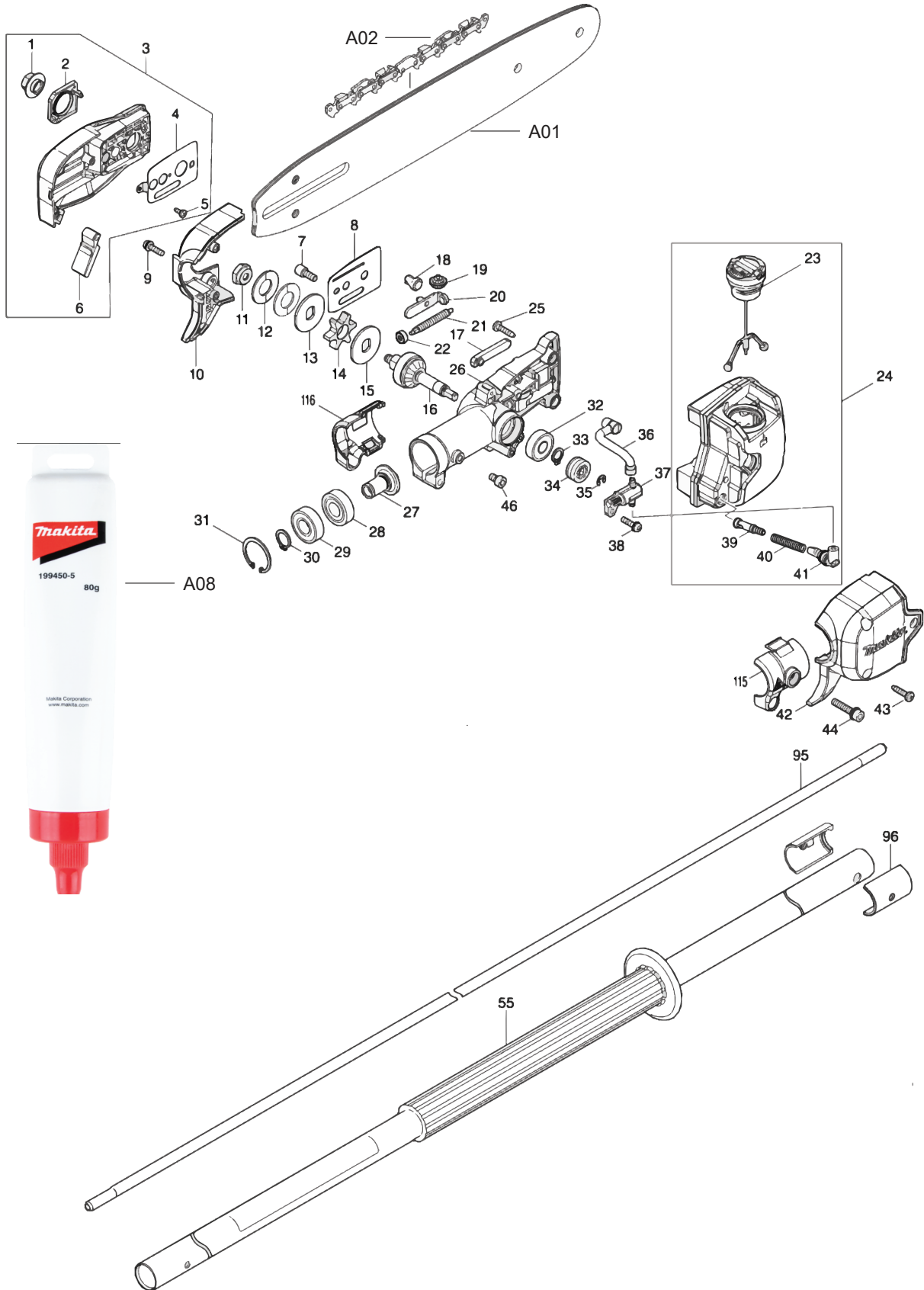




**XAU01**

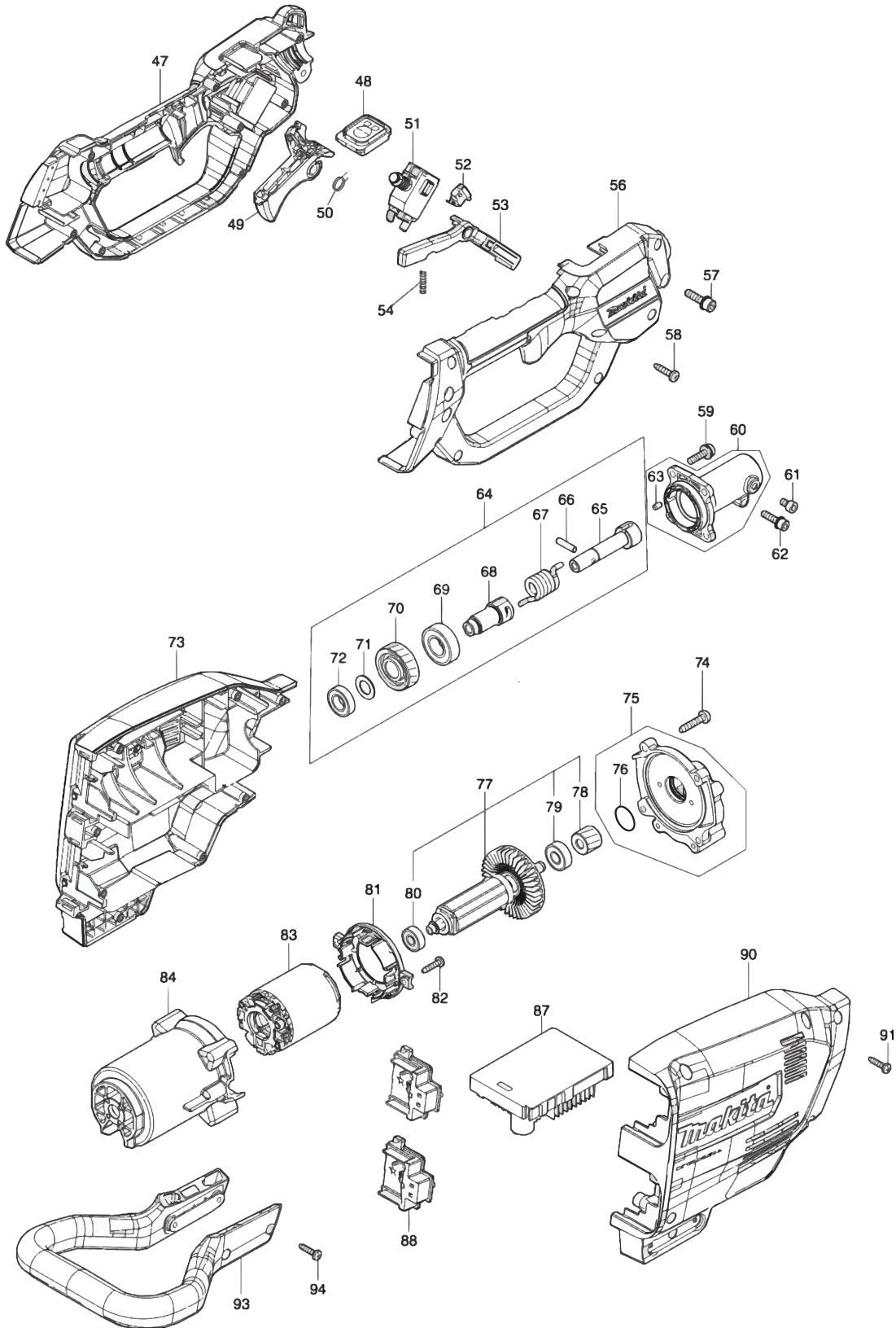


Products with multiple versions are listed in subsiding order with the newest version on top not indented.

Section	Fig. No.	Part No.	Description	XAU01	Tech Bulletin	Notes
1	001	162494-8	FLANGE NUT COMPLETE	1		
1	002	412638-3	NUT COVER	1		
1	003	136373-6	SPROCKET COVER ASSY	1		INC. 1,2,4-6
1	004	347707-0	GUIDE PLATE L	1		
1	005	265954-0	TAPPING SCREW BIND PT3X8	1		
1	006	422599-9	CHIP GUIDE	1		
1	007	266905-6	H.L. SOCKET HEAD BOLT M5X12	1		
1	008	347708-8	GUIDE PLATE R	1		
1	009	911128-8	P.H.SCREW M4X16 WITH WR	2		
1	010	183R95-7	GEAR CASE HOUSING SET	1		INC. 42
1	011	252291-1	HEX. NUT M6	1		
1	012	232626-2	CORNED DISK SPRING 14	2		
1	013	347705-4	LOCK WASHER 12	1		
1	014	226992-7	SPROCKET 6	1		
1	015	347705-4	LOCK WASHER 12	1		
1	016	141D34-9	SPINDLE COMPLETE A	1		
1	017	422602-6	GROMET	1		
1	018	227620-7	DRIVE GEAR	1		
1	019	227634-6	STRAIGHT BEVEL GEAR 14	1		
1	020	347706-2	TENSION SLIDE	1		
1	021	327606-2	ADJUST SCREW	1		
1	022	227496-2	STRAIGHT BEVEL GEAR 14	1		
1	023	126832-8	TANK CAP ASSEMBLY	1		
1	024	136372-8	OIL TANK ASSEMBLY	1		INC. 23,39-41
1	025	266326-2	TAPPING SCREW 4X18	3		
1	026	136301-1	GEAR CASE ASSEMBLY	1		
1	027	141D35-7	SPIRAL BEVEL GEAR 18 COMPLETE	1		
1	028	211131-2	BALL BEARING 6001DDW	1		
1	029	211101-1	BALL BEARING 6001ZZ	1		
1	029	211148-5	BALL BEARING 6001ZZ	1		
1	030	961052-5	RETAINING RING S-12	1		
1	031	962106-1	RETAINING RING R-28	1		
1	032	211491-2	BALL BEARING 609DDW	1		
1	033	961005-4	RETAINING RING S-9	1		
1	034	226884-0	WORM GEAR	1		

Products with multiple versions are listed in subsiding order with the newest version on top not indented.

Section	Fig. No.	Part No.	Description	XAU01	Tech Bulletin	Notes
1	035	961011-9	STOP RING E-4	1		
1	036	422600-0	OIL TUBE 3-70	1		
1	037	140U04-7	OIL PUMP COMPLETE	1		
1	038	911128-8	P.H.SCREW M4X16 WITH WR	1		
1	039	452666-6	NIPPLE	1		
1	040	231975-4	SPRING	1		
1	041	422601-8	OIL TUBE 3-14	1		
1	042	183R95-7	GEAR CASE HOUSING SET	1		INC. 10
1	043	266326-2	TAPPING SCREW 4X18	3		
1	044	922243-3	HEX. SOCKET HEAD BOLT M5X25	1		
1	046	922202-7	HEX. SOCKET HEAD BOLT M5X8	1		
1	055	140V08-5	PIPE 24 COMPLETE B US	1		
1	095	327608-8	SHAFT	1		
1	096	312A03-1	SLEEVE 28	2		
1	115	183R91-5	GEAR CASE COVER SET	1		INC. 116
1	116	183R91-5	GEAR CASE COVER SET	1		INC. 115
1	A01	E-12734	GUIDE BAR 10"	1		
1	A02	E-12740	SAW CHAIN 10"	1		
1	A08	199450-5	GEAR CASE GREASE	1		



Products with multiple versions are listed in subsiding order with the newest version on top not indented.

Section	Fig. No.	Part No.	Description	XAU01	Tech Bulletin	Notes
2	047	183P85-8	GRIP SET	1		INC. 56
2	048	140V21-3	SWITCH CIRCUIT COMPLETE	1		
2	049	459758-2	SWITCH LEVER	1		
2	050	233622-3	TORSION SPRING 12	1		
2	051	651438-8	SWITCH C3JW-6B-PAN	1		
2	052	632G61-0	SWITCH UNIT	1		
2	053	459759-0	LOCK OFF LEVER	1		
2	054	233101-1	COMPRESSION SPRING 4	1		
2	056	183P85-8	GRIP SET	1		INC. 47
2	057	922233-6	H.S.H.BOLT M5X20 WITH WR	1		
2	058	266326-2	TAPPING SCREW 4X18	8		
2	059	911233-1	PAN HEAD SCREW M5X20	4		
2	060	136371-0	PIPE BRACKET ASSY	1		INC. 63
2	061	922202-7	HEX. SOCKET HEAD BOLT M5X8	1		
2	062	922233-6	H.S.H.BOLT M5X20 WITH WR	1		
2	063	263002-9	RUBBER PIN 4	1		
2	064	127641-8	DAMPER SHAFT ASSEMBLY	1		INC. 65-72
2	065	327600-4	JOINT SLEEVE	1		
2	066	256964-8	PIN 5	1		
2	067	232625-4	TORSION SPRING 12	1		
2	068	327601-2	SPINDLE HUB	1		
2	069	211232-6	BALL BEARING 6002LLU	1		
2	070	226997-7	HELICAL GEAR 33	1		
2	071	253744-3	FLAT WASHER 12	1		
2	072	211140-1	BALL BEARING 6901ZZ	1		
2	072	211150-8	BALL BEARING 6901ZZ	1		
2	073	183P84-0	HOUSING SET	1		INC. 90
2	074	266459-3	TAPPING SCREW 5X25	4		
2	075	136231-6	GEAR BOX ASS'Y	1		INC. 76
2	076	213961-7	O RING 22	1		
2	077	510470-0	ROTOR ASS'Y	1		INC. 78-80
2	078	226996-9	HELICAL GEAR 16	1		
2	079	210005-4	BALL BEARING 608DDW	1		
2	080	211021-9	BALL BEARING 607ZZ	1		

Products with multiple versions are listed in subsiding order with the newest version on top not indented.

Section	Fig. No.	Part No.	Description	XAU01	Tech Bulletin	Notes
2	080	210062-2	BALL BEARING 607ZZ	1		
2	081	459764-7	BAFFLE PLATE	1		
2	082	266326-2	TAPPING SCREW 4X18	2		
2	083	629A12-6	STATOR	1		
2	084	459763-9	MOTOR HOUSING	1		
2	087	620C84-6	CONTROLLER	1		
2	088	644809-6	TERMINAL	2		
2	090	183P84-0	HOUSING SET	1		INC. 73
2	091	266326-2	TAPPING SCREW 4X18	8		
2	093	412645-6	GUARD	1		
2	094	266326-2	TAPPING SCREW 4X18	4		