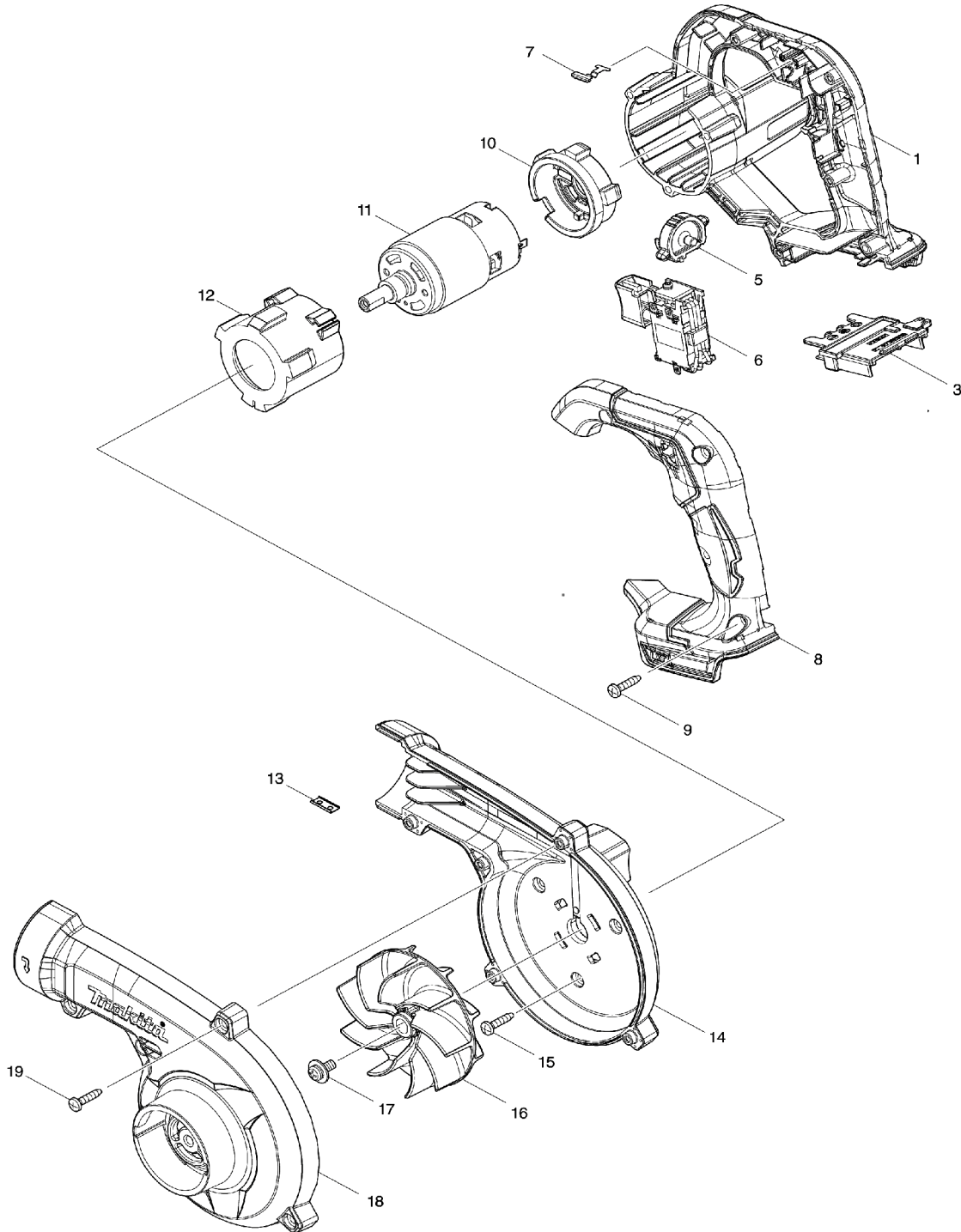




**XBU06**



Products with multiple versions are listed in subsiding order with the newest version on top not indented.

| Section | Fig. No. | Part No. | Description                  | XBU06 | Tech Bulletin | Notes        |
|---------|----------|----------|------------------------------|-------|---------------|--------------|
| 1       | 1        | 183P63-8 | MOTOR HOUSING SET            | 1     |               | INC. 8       |
| 1       | 3        | 643874-2 | TERMINAL                     | 1     |               |              |
| 1       | 5        | 412573-5 | DIAL                         | 1     |               |              |
| 1       | 6        | 632R68-2 | SWITCH UNIT                  | 1     |               |              |
| 1       | 7        | 232620-4 | LEAF SPRING                  | 1     |               |              |
| 1       | 8        | 183P63-8 | MOTOR HOUSING SET            | 1     |               | INC. 1       |
| 1       | 9        | 266326-2 | TAPPING SCREW 4X18           | 5     |               |              |
| 1       | 10       | 422589-2 | MOTOR RUBBER RING B          | 1     |               |              |
| 1       | 11       | 629484-9 | DC MOTOR                     | 1     |               |              |
| 1       | 12       | 422588-4 | MOTOR RUBBER RING A          | 1     |               |              |
| 1       | 13       | 345998-7 | SET PLATE                    | 1     |               |              |
| 1       | 14       | 140U74-6 | FAN HOUSING COMPLETE         | 1     |               |              |
| 1       | 15       | 266326-2 | TAPPING SCREW 4X18           | 3     |               |              |
| 1       | 16       | 240210-9 | FAN 85                       | 1     |               |              |
| 1       | 17       | 265B25-5 | PAN HEAD SCREW M5X12 WITH WG | 1     |               |              |
| 1       | 18       | 412572-7 | FAN COVER                    | 1     |               |              |
| 1       | 19       | 266326-2 | TAPPING SCREW 4X18           | 5     |               |              |
| 1       | A01      | 191G09-6 | GARDEN NOZZLE ASSEMBLY SET   | 1     |               | NOT PICTURED |
| 1       | A02      | 412574-3 | JOINT                        | 1     |               | NOT PICTURED |