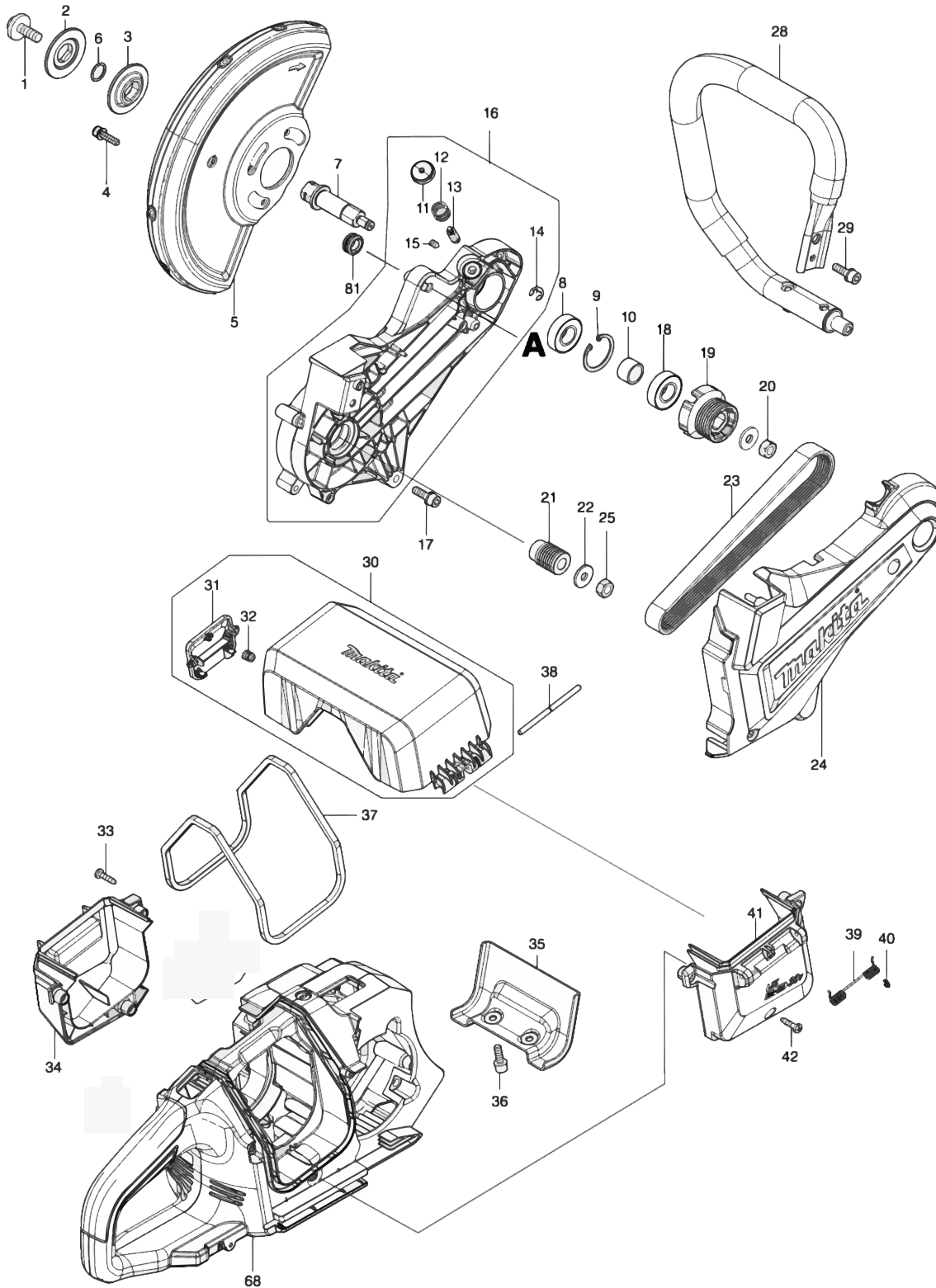




**XEC01**

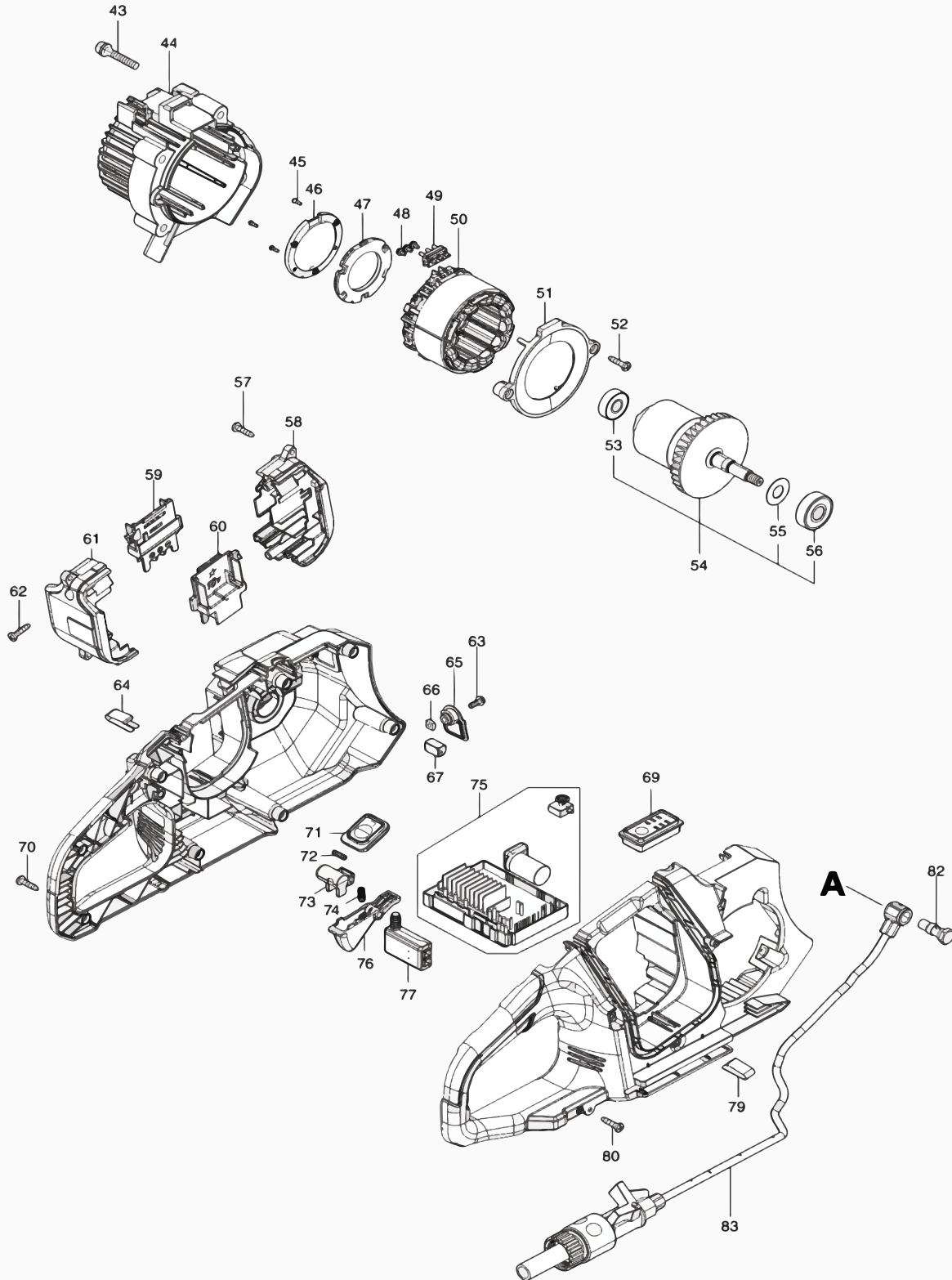


Products with multiple versions are listed in subsiding order with the newest version on top not indented.

Section	Fig. No.	Part No.	Description	XEC01	Tech Bulletin	Notes
1	1	266976-3	HEX. BOLT M8X25	1		
1	2	224604-6	OUTER FLANGE 46	1		
1	3	224605-4	INNER FLANGE 46	1		
1	4	922233-6	H.S.H.BOLT M5X20 WITH WR	3		
1	5	162742-5	WHEEL COVER 230	1		
1	6	213162-7	O RING 14	1		
1	7	327532-5	SPINDLE	1		
1	8	211232-6	BALL BEARING 6002LLU	1		
1	9	962151-6	RETAINING RING R-32	1		
1	10	257491-8	SLEEVE 15	1		
1	11	451485-7	PIN CAP	1		
1	12	233089-5	COMPRESSION SPRING 12	1		
1	13	256947-8	SHOULDER PIN 7	1		
1	14	961012-7	STOP RING E-6	1		
1	15	265880-3	H.S.SET SCREW(CONE POINT)M5X8	1		
1	16	136250-2	CUTTING DEVICE ASSY	1		INC. 11-15
1	17	922333-2	HEX.SOCKET HD BOLT M6X20	1		
1	18	211232-6	BALL BEARING 6002LLU	1		
1	19	222197-7	V PULLEY 7-34.6	1		
1	20	931402-8	HEX. NUT M8	1		
1	21	222198-5	V PULLEY 7-20.5	1		
1	22	253762-1	FLAT WASHER 8	2		
1	23	225104-9	V BELT 7-454	1		
1	24	140U35-6	BELT COVER COMPLETE	1		
1	25	252154-1	HEX. NUT M8-13	1		
1	28	273025-9	FRONT GRIP 26	1		
1	29	922333-2	HEX.SOCKET HD BOLT M6X20	1		
1	30	136218-8	BATTERY UPPER ASSY	1		INC. 31,32
1	31	412348-2	BATTERY COVER HOOK	1		
1	32	231240-1	COMPRESSION SPRING 7	1		
1	33	266326-2	TAPPING SCREW 4X18	3		
1	34	412344-0	BATTERY LOWER COVER L	1		
1	35	347659-5	GUIDE PLATE	1		

Products with multiple versions are listed in subsiding order with the newest version on top not indented.

Section	Fig. No.	Part No.	Description	XEC01	Tech Bulletin	Notes
1	36	922333-2	HEX.SOCKET HD BOLT M6X20	2		
1	37	422566-4	BATTERY COVER SEAL	1		
1	38	256948-6	ROD 4	1		
1	39	232594-9	TORSION SPRING 5	1		
1	40	961017-7	STOP RING E-3	1		
1	41	412346-6	BATTERY LOWER COVER R	1		
1	42	266326-2	TAPPING SCREW 4X18	3		
1	68	136253-6	HOUSING ASSY	1		INC. 63-66,79
1	81	424623-4	GROMMET	1		



Products with multiple versions are listed in subsiding order with the newest version on top not indented.

Section	Fig. No.	Part No.	Description	XEC01	Tech Bulletin	Notes
2	43	922358-6	H.S.H.BOLT M6X35 WITH WR	4		
2	44	412277-9	MOTOR HOUSING	1		
2	45	266490-9	TAPPING SCREW PT 2X6	3		
2	46	687B69-9	STOPPER	1		
2	47	620C87-0	CONTROLLER B	1		
2	48	652031-1	PAN HEAD SCREW M3X6	3		
2	49	632P83-4	LEAD UNIT	1		
2	50	629492-0	STATOR	1		
2	51	459144-7	BAFFLE PLATE	1		
2	52	266326-2	TAPPING SCREW 4X18	2		
2	53	210059-1	BALL BEARING 6000DDW	1		
2	54	519629-6	ROTOR ASSY	1		INC. 53,55,56
2	55	253759-0	FLAT WASHER 12	1		
2	56	211129-9	BALL BEARING 6201LLU	1		
2	57	266326-2	TAPPING SCREW 4X18	4		
2	58	183E46-2	TERMINAL BOX SET	1		INC. 61
2	59	643874-2	TERMINAL	1		
2	60	643874-2	TERMINAL	1		
2	61	183E46-2	TERMINAL BOX SET	1		INC. 58
2	62	266326-2	TAPPING SCREW 4X18	2		
2	63	911118-1	PAN HEAD SCREW M4X12	1		
2	64	232267-4	LEAF SPRING	1		
2	65	412347-4	LENS	1		
2	66	252173-7	SQUARE NUT	1		
2	67	620C88-8	LED CIRCUIT	1		
2	69	140F08-9	LED CIRCUIT COMPLETE	1		
2	70	266326-2	TAPPING SCREW 4X18	8		
2	71	140U77-0	SWITCH CIRCUIT COMPLETE	1		
2	72	232595-7	COMPRESSION SPRING 3	1		
2	73	412343-2	LOCK OFF BUTTON	1		
2	74	232353-1	COMPRESSION SPRING 4	1		
2	75	620C86-2	CONTROLLER	1		
2	76	412342-4	SWITCH LEVER	1		
2	77	651083-9	SWITCH C3XA-1PSPM	1		

Products with multiple versions are listed in subsiding order with the newest version on top not indented.

Section	Fig. No.	Part No.	Description	XEC01	Tech Bulletin	Notes
2	79	232267-4	LEAF SPRING	1		
2	80	266326-2	TAPPING SCREW 4X18	1		
2	82	265B45-9	HEX. BOLT M8X27	1		
2	83	127491-1	HOSE ASSEMBLY	1		