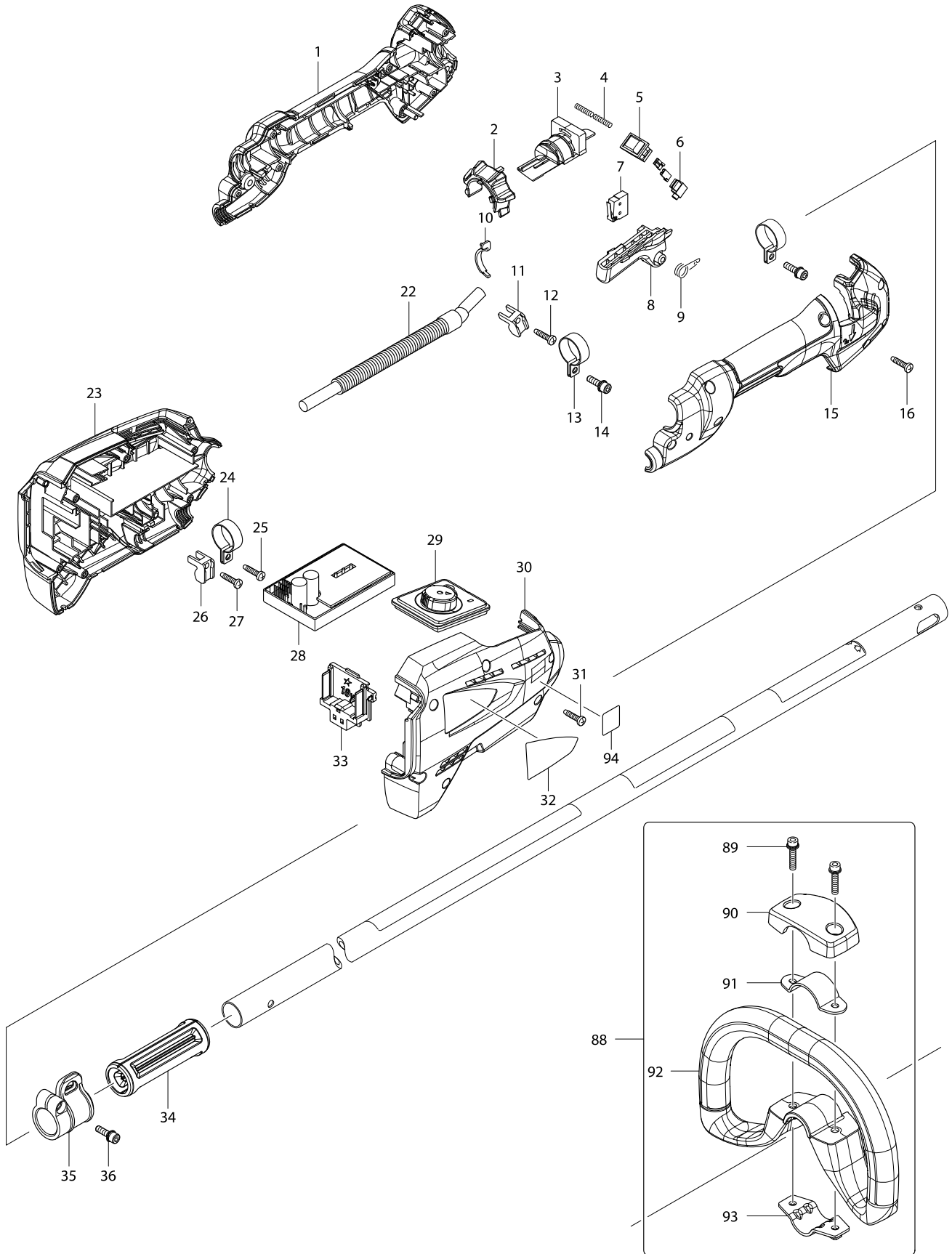




XRU04Z

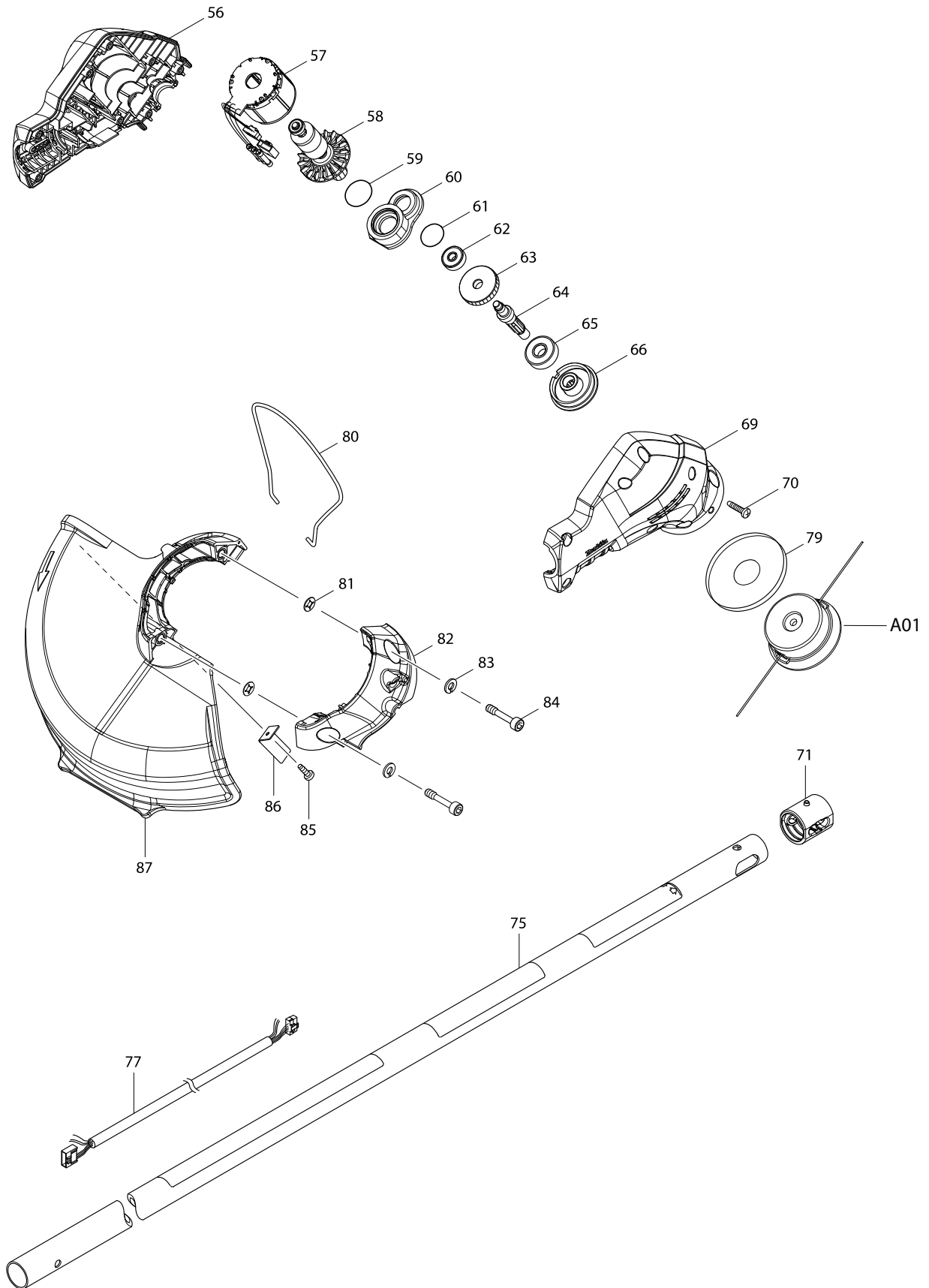


Products with multiple versions are listed in subsiding order with the newest version on top not indented.

Section	Fig. No.	Part No.	Description	XRU04Z	Tech Bulletin	Notes
1	1	187698-1	GRIP SET	1		INC. 15
1	2	454737-5	LOCK OFF LEVER	1		
1	3	454738-3	LEVER BASE	1		
1	4	234079-1	COMPRESSION SPRING 4	2		
1	5	651533-4	SWITCH SLE6A2-33	1		
1	6	686015-7	RECEPTACLE SLEEVE	1		
1	7	650704-0	SWITCH D2SW-P01L1-3M	1		
1	8	454736-7	SWITCH LEVER	1		
1	9	233612-6	TORSION SPRING 10	1		
1	10	451985-7	LEAD COVER	1		
1	11	687261-5	STRAIN RELIEF	1		
1	12	265995-6	TAPPING SCREW 4X18	1		
1	13	346248-3	CLAMP 24	2		
1	14	922228-9	H.S.H.BOLT M5X18 WITH WR	2		
1	15	187698-1	GRIP SET	1		INC. 1
1	16	265995-6	TAPPING SCREW 4X18	6		
1	22	699064-5	POWER SUPPLY CORD UNIT	1		
1	23	187665-6	HOUSING SET	1		
1	24	346248-3	CLAMP 24	1		
1	25	265995-6	TAPPING SCREW 4X18	1		
1	26	687261-5	STRAIN RELIEF	1		
1	27	265995-6	TAPPING SCREW 4X18	1		
1	28	620196-7	CONTROLLER A	1		
1	29	142134-4	SUB CONTROLLER COMPLETE	1		
1	30	187665-6	HOUSING SET	1		
1	31	265995-6	TAPPING SCREW 4X18	6		
1	32	814X29-2	XRU04 NAME PLATE	1		
1	33	644808-8	TERMINAL	1		
1	34	451601-1	SPACER 24	1		
1	35	168478-4	HANGER	1		
1	36	922228-9	H.S.H.BOLT M5X18 WITH WR	1		
1	89	922243-3	HEX. SOCKET HEAD BOLT M5X25	2		

Products with multiple versions are listed in subsiding order with the newest version on top not indented.

Section	Fig. No.	Part No.	Description	XRU04Z	Tech Bulletin	Notes
1	90	452843-0	CLAMP COVER B	1		
1	91	346468-9	CLAMP 33	1		
1	92	452841-4	LOOP HANDLE	1		
1	93	346467-1	CLAMP 24	1		



Products with multiple versions are listed in subsiding order with the newest version on top not indented.

Section	Fig. No.	Part No.	Description	XRU04Z	Tech Bulletin	Notes
2	56	187585-4	MOTOR HOUSING SET	1		INC. 69
2	57	629985-7	STATOR	1		
2	58	619324-9	ROTOR	1		
2	59	213961-7	O RING 22	1		
2	59	1 213373	4 O RING 22	1		
2	60	318978-6	BEARING BOX	1		
2	61	213325-5	O RING 19	1		
2	62	210022-4	BALL BEARING 626DDW	1		
2	63	227773-2	HELICAL GEAR 31	1		
2	64	326275-6	CUTTER SHAFT	1		
2	65	210059-1	BALL BEARING 6000DDW	1		
2	66	324917-6	RECEIVE WASHER	1		
2	69	187585-4	MOTOR HOUSING SET	1		INC. 56
2	70	265995-6	TAPPING SCREW 4X18	8		
2	71	424567-8	RUBBER SLEEVE 24	1		
2	75	142375-2	PIPE COMPLETE	1		
2	77	699059-8	POWER SUPPLY CORD UNIT	1		
2	79	346622-5	GUARD	1		
2	80	326348-5	WIRE GUARD	1		
2	81	413143-3	WASHER	2		
2	82	454641-8	PROTECTOR HOLDER	1		
2	83	942151-2	SPRING WASHER 6	2		
2	84	266579-3	HEX SOCKET HEAD BOLT M6X30	2		
2	85	266427-6	TAPPING SCREW 4X12	1		
2	86	346725-5	CUTTER	1		
2	87	454640-0	PROTECTOR	1		
2	88	195626-2	LOOP HANDLE SET	1		INC. 89-93
2	A01	123235-7	CUTTER ASSEMBLY	1		