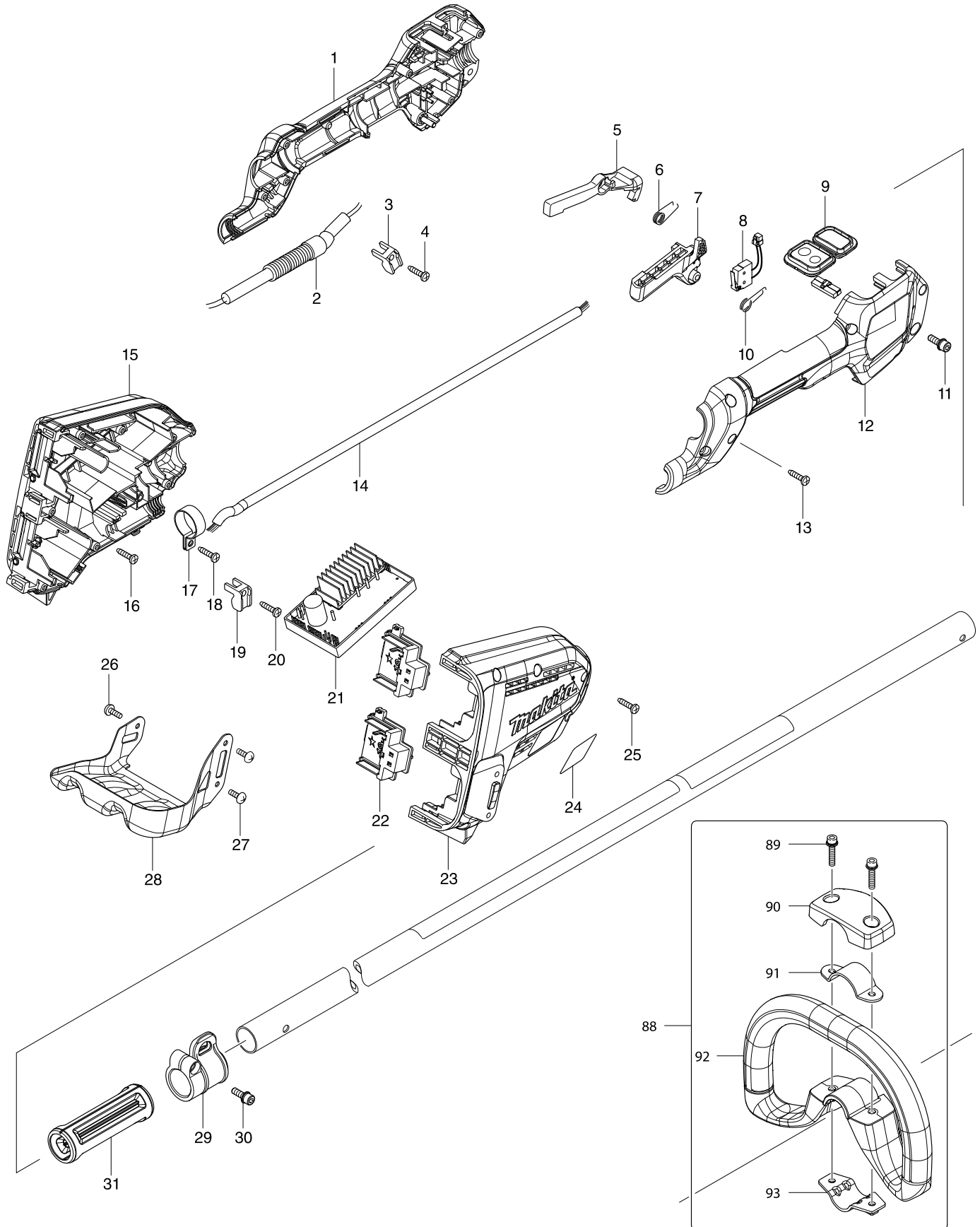




XRU07Z

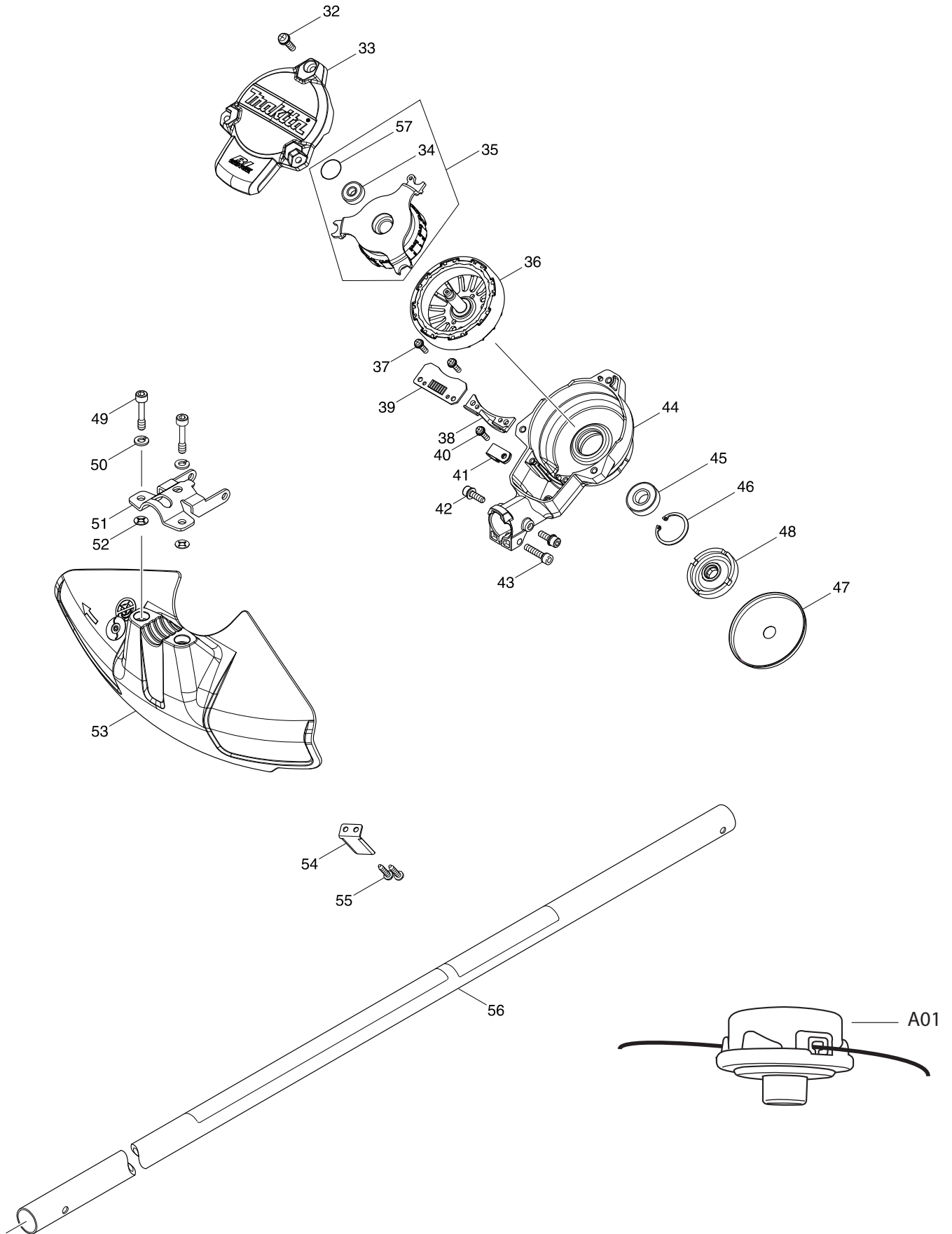


Products with multiple versions are listed in subsiding order with the newest version on top not indented.

Section	Fig. No.	Part No.	Description	XRU07Z	Tech Bulletin	Notes
1	1	183A19-1	GRIP SET	1		INC. 12
1	2	699068-7	POWER SOPPLY CORD UNIT	1		
1	3	687261-5	STRAIN RELIEF	1		
1	4	266326-2	TAPPING SCREW 4X18	1		
1	5	455629-1	LOCK OFF LEVER	1		
1	6	233621-5	TORSION SPRING 9	1		
1	7	455625-9	SWITCH LEVER	1		
1	8	632E26-0	SWITCH UNIT	1		
1	9	143040-6	SUB CONTROLLER COMPLETE	1		
1	10	233612-6	TORSION SPRING 10	1		
1	11	922228-9	H.S.H.BOLT M5X18 WITH WR	1		
1	12	183A19-1	GRIP SET	1		INC. 1
1	13	266326-2	TAPPING SCREW 4X18	6		
1	14	699067-9	POWER SUPPLY CORD UNIT	1		
1	15	183A64-6	HOUSING SET	1		
1	16	266326-2	TAPPING SCREW 4X18	3		
1	17	346248-3	CLAMP 24	1		
1	18	266326-2	TAPPING SCREW 4X18	1		
1	19	687261-5	STRAIN RELIEF	1		
1	20	266326-2	TAPPING SCREW 4X18	1		
1	21	143061-8	CONTROLLER COMPLETE	1		
1	22	644808-8	TERMINAL	2		
1	23	183A64-6	HOUSING SET	1		
1	24	850N96-3	XRU07 NAME PLATE	1		
1	25	266326-2	TAPPING SCREW 4X18	7		
1	26	251314-2	SCREW M4X12	1		
1	27	251314-2	SCREW M4X12	2		
1	28	346858-6	BATTERY GUARD	1		
1	29	168478-4	HANGER	1		
1	30	922228-9	H.S.H.BOLT M5X18 WITH WR	1		
1	31	451601-1	SPACER 24	1		
1	88	195626-2	LOOP HANDLE SET	1		INC. 89-93
1	89	922243-3	HEX. SOCKET HEAD BOLT M5X25	2		
1	90	452843-0	CLAMP COVER B	1		

Products with multiple versions are listed in subsiding order with the newest version on top not indented.

Section	Fig. No.	Part No.	Description	XRU07Z	Tech Bulletin	Notes
1	91	346468-9	CLAMP 33	1		
1	92	452841-4	LOOP HANDLE	1		
1	93	346467-1	CLAMP 24	1		



Products with multiple versions are listed in subsiding order with the newest version on top not indented.

Section	Fig. No.	Part No.	Description	XRU07Z	Tech Bulletin	Notes
2	32	911233-1	PAN HEAD SCREW M5X20	3		
2	33	455626-7	TOP COVER	1		
2	34	210062-2	BALL BEARING 607ZZ	1		
2	35	529146-8	STATOR ASS'Y	1		INC. 34,57
2	36	619360-5	ROTOR	1		
2	37	911128-8	PAN HEAD SCREW M4X16	2		
2	38	455628-3	INNER COVER	1		
2	39	620401-2	CONTROLLER B	1		
2	40	911128-8	PAN HEAD SCREW M4X16	1		
2	41	687042-7	STRAIN RELIEF	1		
2	42	922223-9	H.S.H.BOLT M5X16 WITH WR	2		
2	43	922241-7	HEX. SOCKET HEAD BOLT M5X25	1		
2	44	143039-1	MOTOR HOUSING COMPLETE	1		
2	45	211131-2	BALL BEARING 6001DDW	1		
2	46	962106-1	RETAINING RING R-28	1		
2	47	346857-8	GUARD	1		
2	48	319245-2	RECEIVE WASHER	1		
2	49	266579-3	HEX SOCKET HEAD BOLT M6X30	2		
2	50	942151-2	SPRING WASHER 6	2		
2	51	346073-2	PROTECTOR CLAMP	1		
2	52	413143-3	WASHER	2		
2	53	455622-5	PROTECTOR	1		
2	54	346855-2	CUTTER	1		
2	55	266326-2	TAPPING SCREW 4X18	2		
2	56	143047-2	PIPE COMPLETE B	1		
2	57	213325-5	O RING 19	1		
2	A01	123291-7	CUTTER ASSEMBLY	1		