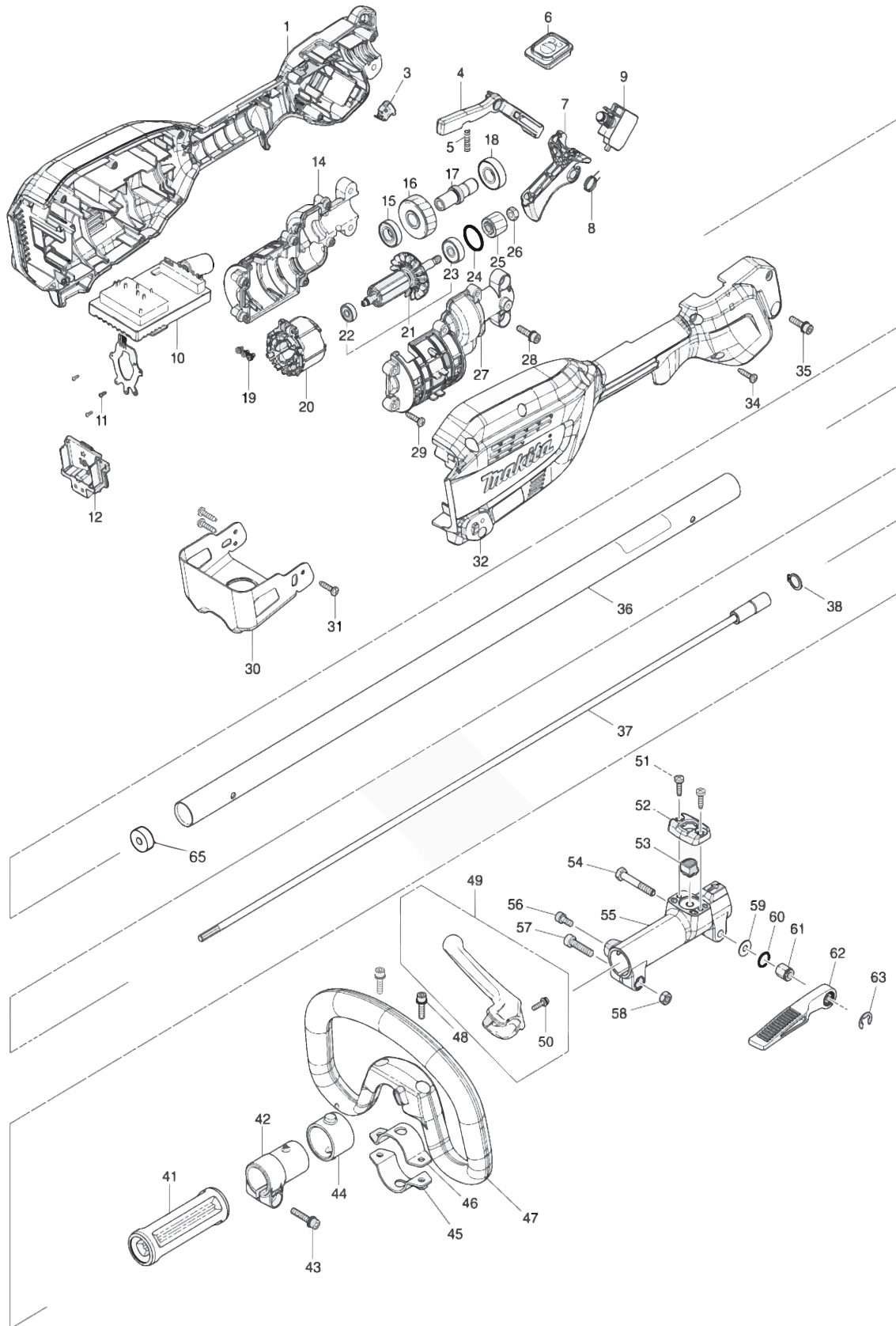




XUX02Z



Products with multiple versions are listed in subsiding order with the newest version on top not indented.

Section	Fig. No.	Part No.	Description	XUX02	Tech Bulletin	Notes
1	1	183S11-5	GRIP HOUSING SET	1		INC. 32
1	3	632G61-0	SWITCH UNIT	1		
1	4	412863-6	LOCK OFF LEVER	1		
1	5	233101-1	COMPRESSION SPRING 4	1		
1	6	140W41-3	SWITCH CIRCUIT COMPLETE	1		
1	7	459758-2	SWITCH LEVER	1		
1	8	233622-3	TORSION SPRING 12	1		
1	9	651494-8	SWITCH C3JW-1A-PA-2	1		
1	10	620D91-5	CONTROLLER	1		
1	11	266490-9	TAPPING SCREW PT 2X6	3		
1	12	644809-6	TERMINAL	1		
1	14	183R80-0	MOTOR HOUSING SET	1		INC. 27
1	15	210243-8	BALL BEARING 6901ZZ	1		
1	16	227848-7	HELICAL GEAR 33	1		
1	17	327719-9	SPINDLE HUB	1		
1	18	210244-6	BALL BEARING 6001ZZ	1		
1	19	652069-6	FLAT HEAD SCREW M3X6	3		
1	20	629A28-1	STATOR	1		
1	21	519654-7	ROTOR ASS'Y	1		INC. 22,23
1	22	210235-7	BALL BEARING 625ZZ	1		
1	23	210236-5	BALL BEARING 627ZZ	1		
1	24	213843-3	O-RING 21	1		
1	25	227849-5	HELICAL GEAR 16	1		
1	26	252153-3	HEX. NUT M6-10	1		
1	27	183R80-0	MOTOR HOUSING SET	1		INC. 14
1	28	922234-4	H.S.H.BOLT M5X20 WITH WG	2		
1	29	266326-2	TAPPING SCREW 4X18	6		
1	30	347765-6	BATTERY GUARD	1		
1	31	266326-2	TAPPING SCREW 4X18	3		
1	32	183S11-5	GRIP HOUSING SET	1		INC. 1
1	34	266326-2	TAPPING SCREW 4X18	10		
1	35	922234-4	H.S.H.BOLT M5X20 WITH WG	1		
1	36	141B21-6	SHAFT PIPE B COMPLETE	1		
1	37	141238-9	SHAFT B COMPLETE	1		

Products with multiple versions are listed in subsiding order with the newest version on top not indented.

Section	Fig. No.	Part No.	Description	XUX02	Tech Bulletin	Notes
1	38	961052-5	RETAINING RING S-12	1		
1	41	451601-1	SPACER 24	1		
1	42	457269-1	PIPE HOLDER 24	1		
1	43	922244-1	H.S.H.BOLT M5X25 WITH WG	1		
1	44	424942-8	DAMPER	1		
1	45	347114-7	LOWER CLAMP 35	1		
1	46	347113-9	UPPER CLAMP 35	1		
1	47	457772-2	LOOP HANDLE	1		
1	48	922234-4	H.S.H.BOLT M5X20 WITH WG	2		
1	49	144315-6	BARRIER COMPLETE	1		INC. 50
1	50	911128-8	P.H.SCREW M4X16 WITH WR	1		
1	51	266034-5	TAPPING SCREW CT 4X16	2		
1	52	452840-6	RELEASE BUTTON COVER	1		
1	53	452839-1	RELEASE BUTTON	1		
1	54	265596-0	HEX.BOLT M6X40	1		
1	55	318750-6	JOINT 24	1		
1	56	922211-6	H.S.H.BOLT M5X12 WITH W	1		
1	57	922342-1	HEX. SOCKET HEAD BOLT M6X25	1		
1	58	931302-2	HEX. NUT M6	1		
1	59	253332-6	THIN WASHER 6	1		
1	60	213105-9	O RING 11	1		
1	61	252159-1	HEX. NUT M6	1		
1	62	272268-0	LEVER 94	1		
1	63	961014-3	STOP RING E-8	1		
1	65	443170-6	FELT	1	D7494	