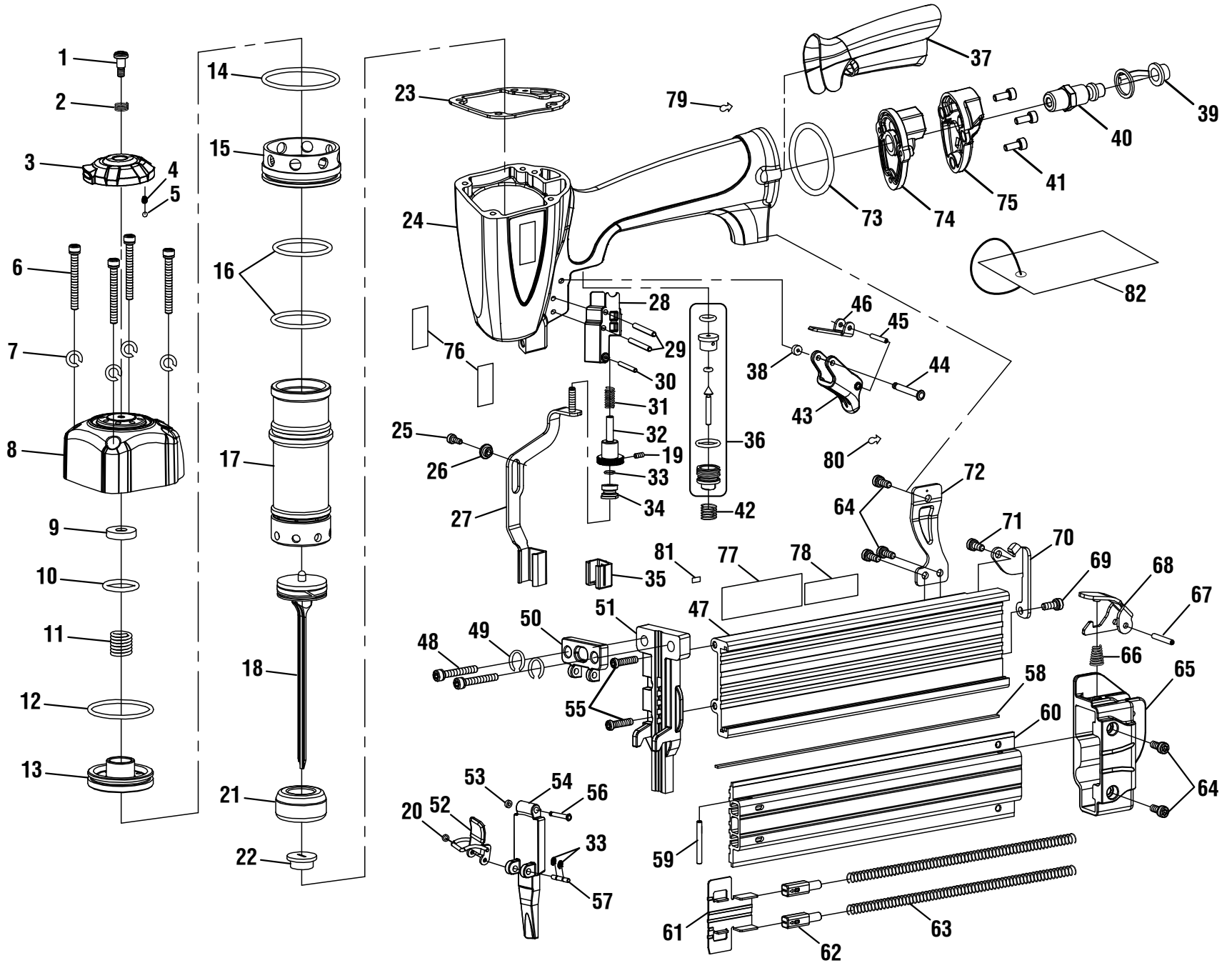


RYOBI 18 GAUGE BRAD NAILER - MODEL NO. YG200BN



## RYOBI 18 GAUGE BRAD NAILER – MODEL NO. YG200BN

The model number will be found on a plate attached to the motor housing. Always mention the model number in all correspondence regarding your **RYOBI BRAD NAILER** or when ordering repair parts.

### PARTS LIST

KEY NO.	PART NUMBER	DESCRIPTION	QTY.	KEY NO.	PART NUMBER	DESCRIPTION	QTY.
1	079077004001	Screw (M4 x 12).....	1	48	079077005004	Bolt (M5 x 25 mm, Hex Soc. Hd.).....	2
2	079077004002	Compression Spring.....	1	49	079077005005	Washer (ID5.1 x OD7.7 x 1.3t).....	2
3	089041008001	Air Deflector.....	1	50	079077004042	Fix Plate.....	1
4	079077004004	Compression Spring.....	1	51	079077004043	Driver Guide.....	1
5	079077004005	Ball (D3).....	1	52	089041008007	Latch.....	1
6	079077004006	Bolt (M4 x 35 mm, Hex Soc. Hd.).....	4	53	079077005031	Pin Retainer.....	1
7	079077004007	Washer (ID4.1 x OD6.3 x 1.1t).....	4	54	079077004045	Jam Release Mechanism.....	1
8	089041008002	Top Cover.....	1	55	079077004046	Bolt (M4 x 14.7 mm, Hex Soc. Hd.).....	2
9	079077004009	Seal.....	1	56	079077004047	Pin.....	1
10	079077004010	O-Ring (18 x 2.65).....	1	57	079077004048	Roll Pin.....	1
11	079077004011	Valve Spring.....	1	58	079077004049	Wear Rail.....	1
12	079077004012	O-Ring (35.5 x 2.3).....	1	59	079077004050	Roll Pin (3 x 30).....	1
13	079077004013	Head Valve Assembly.....	1	60	079077004051	Sliding Magazine.....	1
14	079077004014	O-Ring (43 x 2.65).....	1	61	079077004052	Pusher.....	1
15	079077004015	Collar.....	1	62	079077004053	Pusher Pin.....	2
16	079077004016	O-Ring (31.2 x 2.5).....	2	63	079077004054	Compression Spring.....	2
17	079077004017	Cylinder.....	1	64	079077004055	Bolt (M4 x 8 mm, Hex Soc. Hd.).....	5
18	079077004703	Driver Assembly.....	1	65	079077004056	Magazine End Cap.....	1
19	079077004071	Set Screw (M2 x 5 mm, Hex Soc. Hd.).....	1	66	079077004057	Latch Spring.....	1
20	079077004070	Pin Retainer (1.9 x 1.2).....	1	67	079077004058	Roll Pin (3 x 20).....	1
21	079077004021	Bumper.....	1	68	079077004059	Latch.....	1
22	079077004022	Driver Guide Washer.....	1	69	079077004060	Magazine Bolt (M4 x 12 mm, Hex Soc. Hd.).....	1
23	079077004023	Gasket.....	1	70	079077004061	Spacer.....	1
24	089041008003	Housing.....	1	71	079077004062	Bolt (M4 x 6 mm, Hex Soc. Hd.).....	1
25	079077005039	Bolt (M3 x 8 mm, Hex Soc. Hd.).....	1	72	079077004063	Bracket.....	1
26	079077004025	Guide Washer.....	1	73	079077004064	O-Ring (41 x 1.6).....	1
27	079077004026	Work Piece Contact Assembly.....	1	74	079077004065	End Cap.....	1
28	079077004027	Adjustment Seat.....	1	75	089041008008	Air Deflector.....	1
29	079077005025	Pin (3 x 26).....	2	76	089041008901	Logo Label.....	2
30	079077004028	Pin (2 x 20).....	1	77	089041008903	Data/Warning Label.....	1
31	079077004029	Compression Spring.....	1	78	089041008902	Quick Start Directions Label.....	1
32	079077004030	Depth of Drive Knob.....	1	79	089041005906	Quick Start 1 Label.....	1
33	079077004069	Retaining Ring.....	3	80	089041005907	Quick Start 2 Label.....	1
34	079077004031	Adjustment Nut.....	1	81	089041007906	Quick Start 3 Label.....	1
35	089041008004	No-mar Pad.....	1	82	089041008904	Warning Translations Hangtag.....	1
36	079077004704	Trigger Valve Assembly.....	1		<b>NOT SHOWN:</b>		
37	089041008009	Rubber Grip.....	1		079077004701	Overhaul Maintenance Kit	
38	079077004035	O-Ring (1.7 x 2).....	1			(Incl. 9, 10, 12, 14, 16, 18, 21-23, and 73).....	1
39	079077005080	Air Plug Cap.....	1		079077004702	Driver Maintenance Kit (Incl. 18, 21, and 23).....	1
40	079077005079	Air Plug (NPT 1/4 in.-18).....	1		089041008701	Wrench Kit (Incl. 3 mm and 4 mm Hex Keys).....	1
41	079077004067	Bolt (M4 x 14 mm, Hex Soc. Hd.).....	3		990000650	Operator's Manual.....	1
42	079077005052	Compression Spring.....	1				
43	089041008005	Trigger.....	1		9-24-13		
44	079077004039	Trigger Pin.....	1		(Rev:01)		
45	079077004040	Trigger Plate.....	1				
46	079077005078	Roll Pin.....	1				
47	079077004041	Magazine Assembly.....	1				