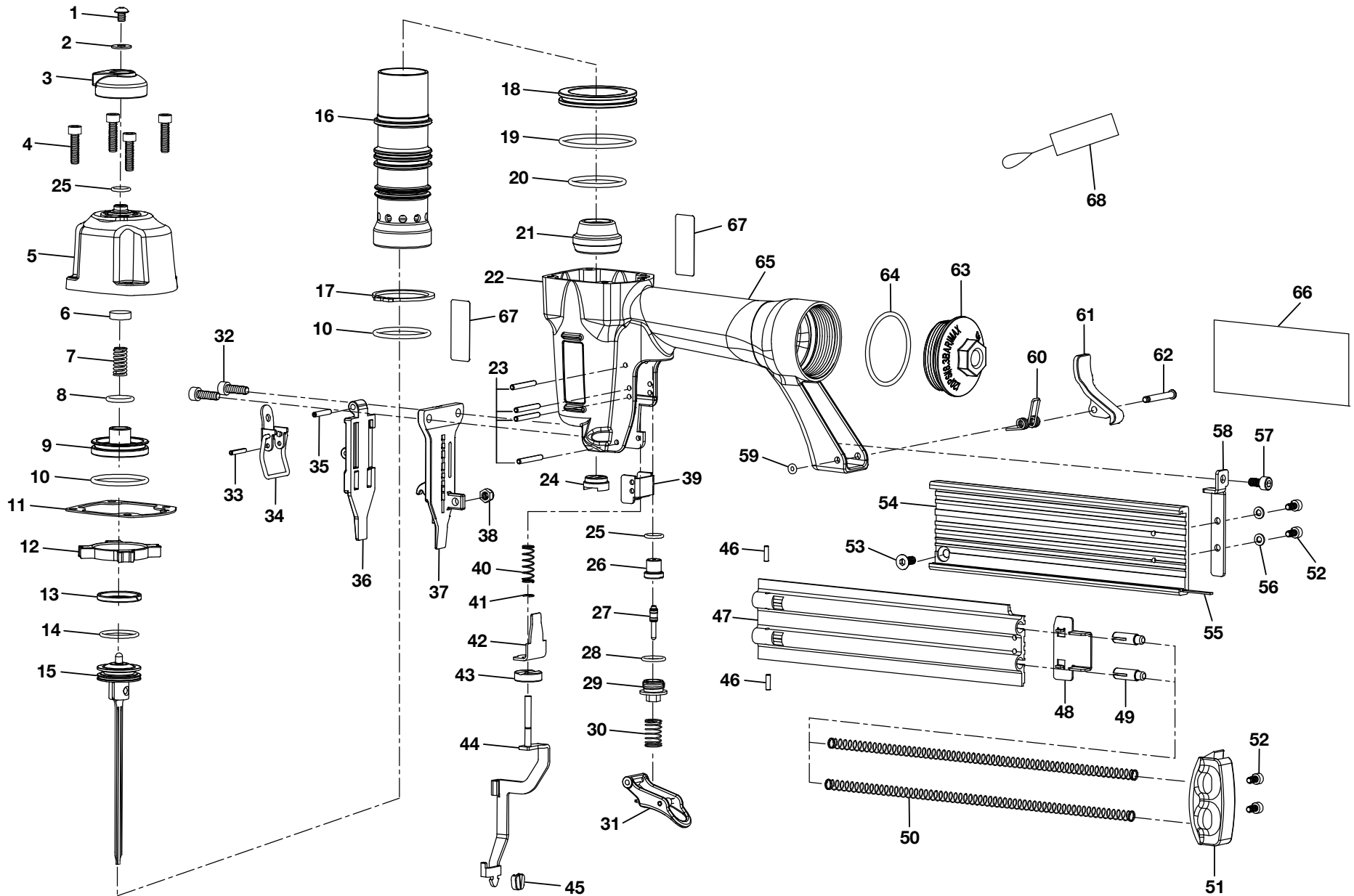


RYOBI 2 in. BRAD NAILER - MODEL NUMBER YN200BN



⚠ DANGER: Do not use oxygen, combustible gases or bottled gases as a power source for this tool. The tool will explode and cause death or serious injury.

⚠ WARNING: Disconnect the tool from the air supply before performing maintenance. Failure to do so could result in serious personal injury.

RYOBI 2 in. BRAD NAILER - MODEL NUMBER YN200BN

KEY	P/N	DESCRIPTION	QTY	KEY	P/N	DESCRIPTION	QTY	KEY	P/N	DESCRIPTION	QTY
1	079023001001 *	SCREW (M5 X 8 mm, BUTTON HD.).....	1	30	079023001029	SPRING	1	58	079024001020	BRACKET	1
2	079023001002	WASHER, EXHAUST CAP.....	1	31	079023001701	TRIGGER UNIT.....	1	59	079023001052	O-RING (P-3).....	1
3	079023001003	EXHAUST CAP	1	32	079024001002 *	SCREW (M5 X 16 mm, HEX SOC. HD.) ..	2	60	079023001053	SPRING	1
4	A07003050200*	SCREW (M5 X 20 mm, HEX SOC. HD.) ..	4	33	079024001003	SPRING PIN (D2.5 X 16 mm).....	1	61	079023001054	BUCKLE	1
5	079023001006	MAIN CAP	1	34	079024001004	QUICK RELEASE LATCH	1	62	079023001055	ROLLED PIN.....	1
6	079023001007	SEAL.....	1	35	079024001005	SPRING PIN (D3 X 18 mm).....	1	63	079023001056	END CAP	1
7	079023001008	SPRING, HEAD VALVE	1	36	079024001006	LID NOSE PIECE	1	64	079023001057	O-RING (AS568-132).....	1
8	079023001009	O-RING (P-14).....	1	37	079024001007	NOSE PIECE	1	65	079023001058	GRIP	1
9	079023001700	HEAD VALVE	1	38	079024001008	SCREW NUT (M5 X PO.8-SL)	1	66	079024001900	WARNING/DATA LABEL.....	1
10	079023001010	O-RING (AS568-125).....	2	39	079023001035	WORK PIECE CONTACT GUIDE.....	1	67	079023001901	LOGO LABEL	2
11	079023001011	CAP GASKET	1	40	079023001036	SPRING	1	68	079023001064	HANG TAG	1
12	079023001012	SEAL.....	1	41	079023001037	E RING (E-3)	1	NOT SHOWN			
13	079023001013	PISTON RING.....	1	42	079023001038	WORK PIECE CONTACT B	1	69	079023001059	OVERHAUL MAINTENANCE KIT WITH AIR TOOL OIL AND INSTRUCTION SHEET (INC. KEY NOS. 6, 8, 10, 11, 13, 17 19, 20, 21, 25, 26, 27, 28, 29).....	1
14	079023001014	O-RING (22 X 2).....	1	43	079023001039	ADJUSTING KNOB	1	70	079024001022	DRIVER MAINTENANCE KIT (INC. KEY NOS. 11, 13, 14, 15, 21, INSTRUCTION SHEET & LUBRICANT)...	1
15	079024001001	DRIVER UNIT.....	1	44	079024001700	WORK PIECE CONTACT ASSY.....	1				
16	079023001016	CYLINDER.....	1	45	079023001040	NON MAR NOSEPIECE.....	1	71	079024001701	DRIVER ASSEMBLY KIT (INC. KEY NOS. 13, 14, 15, INSTRUCTION SHEET & LUBRICANT)...	1
17	079023001017	C RING (C-38)	1	46	079024001009	SPRING PIN (D2.5 X 10 mm).....	2				
18	079023001018	CYLINDER RING	1	47	079024001010	MAGAZINE B.....	1	72	079023001705	TRIGGER VALVE ASSEMBLY (INC. KEY NOS. 25, 26, 27, 28, 29).....	1
19	079023001019	O-RING (AS568-133).....	1	48	079024001011	PUSHER.....	1				
20	A63030001240	O-RING (AS568-124).....	1	49	079024001012	PUSHER GUIDE.....	2	73	079024001023	WRENCH KIT (INC. 3 mm, 4 mm HEX KEYS).....	1
21	079023001021	BUMPER	1	50	079024001013	SPRING	2				
22	079023001022	TOOL BODY	1	51	079024001014	MAGAZINE END CAP	1	74	079023001062	SAFETY GLASSES	1
23	079023001023	SPRING PIN (D3 X 26 mm).....	4	52	079024001015 *	SCREW (M4 X 8 mm, HEX SOC. HD.)	1				
24	079023001024	BOTTOM PLUG.....	1	53	079024001016 *	SCREW (M5 X 12 mm, HEX SOC. CAP) .	1	75	079002001113	OIL.....	1
25	079023001005	O-RING (AS568-012).....	2	54	079024001017	MAGAZINE A WITH WARNING/DATA LABEL.....	1				
26	079023001025	TRIGGER INNER HOUSING.....	1	55	079024001018	INSERT MAGAZINE.....	1	76	079023001065	CARRY BAG.....	1
27	079023001026	TRIGGER STEM	1	56	079024001019 *	WASHER, SPRING (7.6 X 4.1 X 1).....	1				
28	079023001027	O-RING (AS568-014).....	1	57	079023001050 *	SCREW (M5 X 10 mm, HEX SOC. HD.) ..	1	77	987000106	OPERATOR'S MANUAL	1
29	079023001028	TRIGGER VALVE HOUSING.....	1								

* Standard Hardware Item – May Be Purchased Locally