

**Repair Parts Manual**  
**Manuel De Pièces De Rechange**  
**YTH22K42/ 96048005600**

Please read the operator's manual carefully and make sure  
you understand the instructions before using the machine.

Lisez très attentivement et soyez certain de comprendre  
ces instructions avant d'utiliser cette machine.



**English/French**



**585 88 01-24**

# HOW TO USE THIS MANUAL

This manual is designed to provide the customer with a means to identify the parts on his/her tractor when ordering repair parts. The illustrations may or may not represent the actual assemblies; therefore, it is not recommended to use this manual as a guide to assemble or disassemble the tractor. Some hardware and parts are drawn larger in order to more readily identify them.

Each tractor has its own model number.

The model number for your tractor can be found on the fender under the seat.

When ordering parts, always give the following information:

- Product - "TRACTOR"
- MODEL NUMBER - "YTH22K42" (96048005600)"
- Part Number
- Part Description

## TABLE OF CONTENTS

<b>SCHEMATIC</b> .....	<b>3</b>
<b>ELECTRICAL</b> .....	<b>4-5</b>
<b>CHASSIS</b> .....	<b>6-7</b>
<b>DRIVE</b> .....	<b>8-9</b>
<b>ENGINE</b> .....	<b>10</b>
<b>STEERING</b> .....	<b>11</b>
<b>MOWER DECK</b> .....	<b>12-13</b>
<b>MOWER LIFT</b> .....	<b>14</b>
<b>SEAT</b> .....	<b>15</b>
<b>DECALS</b> .....	<b>16</b>

## COMMENT UTILISER CE MANUEL

Ce manuel a été dessiné pour fournir le client avec les moyens d'identification des pièces de détachées du tracteur quand il/elle a besoin de commander les pièces de rechange. Les illustrations ne peuvent pas représenter exactement le modèle que vous avez acheté. N'utilisez pas ce manuel comme un guide dans le montage et/ou démontage de votre tracteur. La visserie montrée est plus grande pour faciliter l'identification.

Chaque tracteur a un numéro de modèle particulier.

Le numéro de modèle du produit se trouvera sur l'aile, dessous le siège.

Lorsque vous commandez des pièces de rechange, donnez toujours les renseignements suivants:

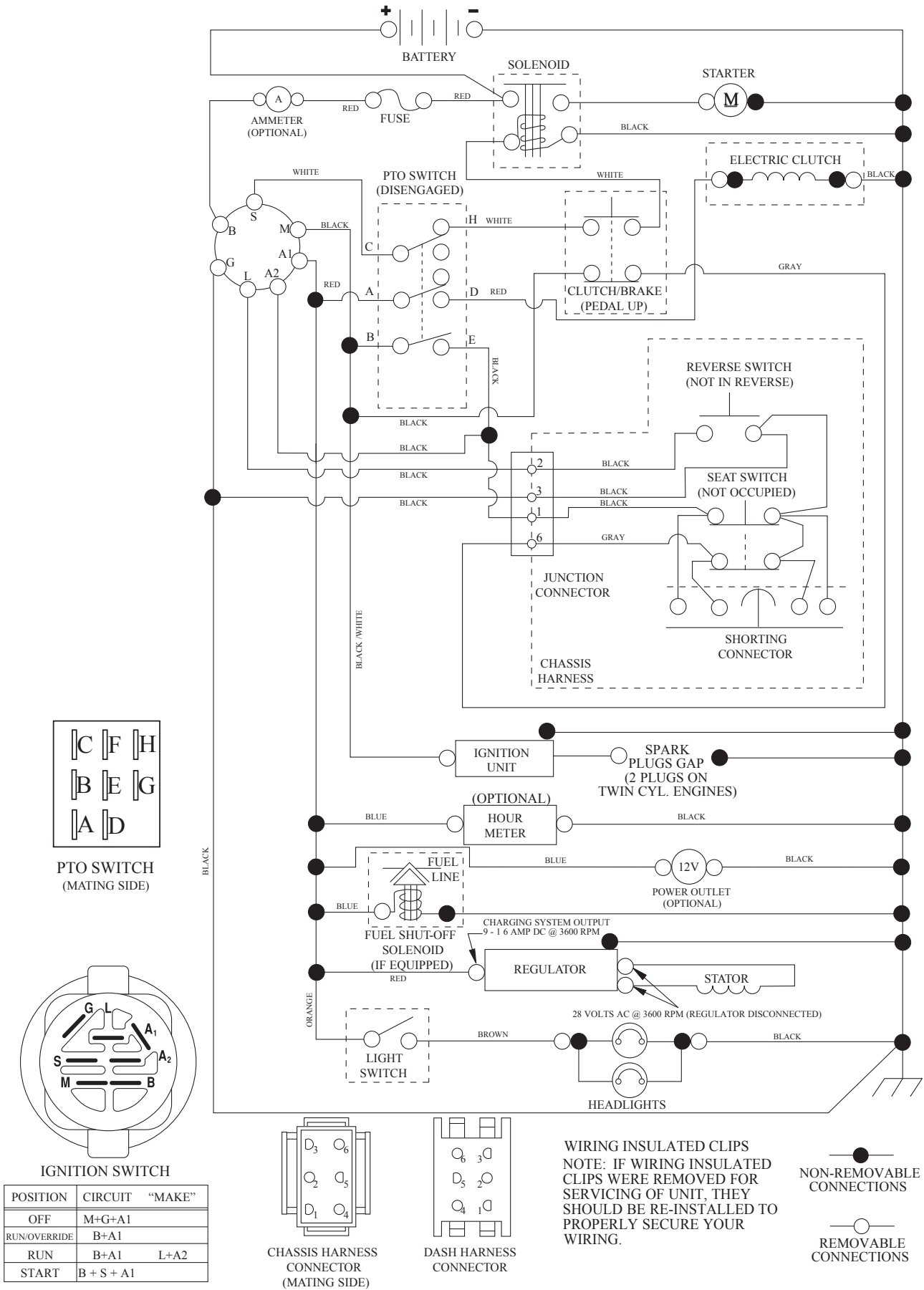
- Produit - "TRACTEUR"
- NUMÉRO DU MODÈLE - "YTH22K42" (96048005600)"
- Numéro de la Pièce
- Description de la Pièce

## TABLE DE MATIERES

<b>SCHÉMA</b> .....	<b>17</b>
<b>ELECTRIQUE</b> .....	<b>18-19</b>
<b>CHÂSSIS/ENCEINTES</b> .....	<b>20-21</b>
<b>ENTRAÎNEMENT</b> .....	<b>22-23</b>
<b>MOTEUR</b> .....	<b>24</b>
<b>ENSEMBLE DE LA DIRECTION</b> .....	<b>25</b>
<b>CARTER DE TONDEUSE</b> .....	<b>26-27</b>
<b>LEVAGE DE LA TONDEUSE</b> .....	<b>28</b>
<b>ENSEMBLE DU SIÈGE</b> .....	<b>29</b>
<b>DECALCOMANIES</b> .....	<b>30</b>

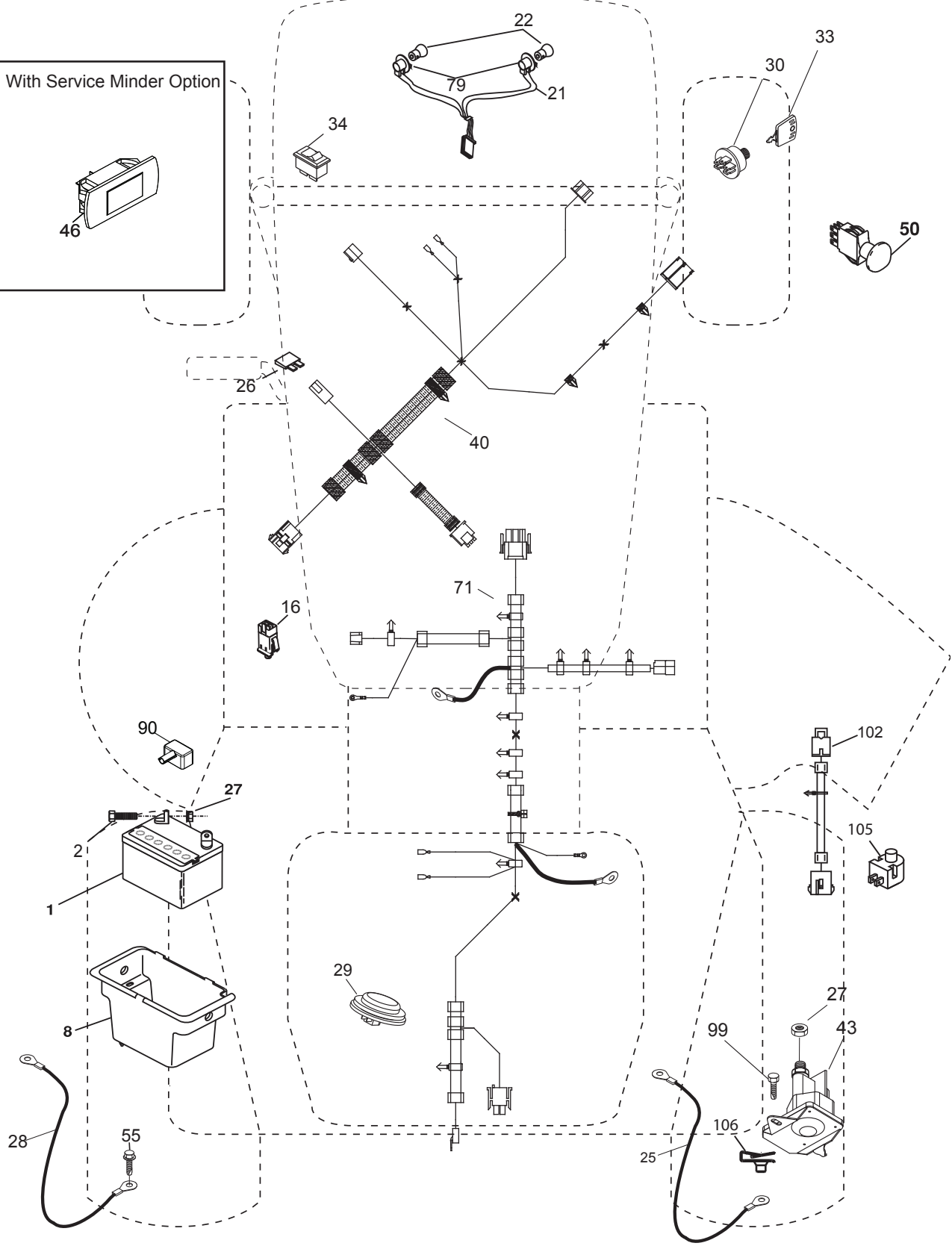
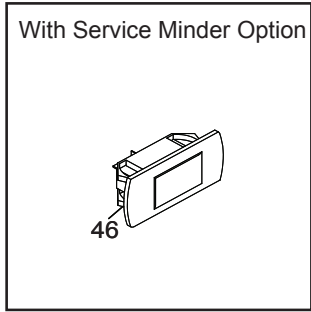
# TRACTOR - - MODEL NUMBER YTH22K42 (96048005600), PRODUCT NO. 960 48 00-56 SCHEMATIC

SCH12



**TRACTOR - - MODEL NUMBER YTH22K42 (96048005600), PRODUCT NO. 960 48 00-56  
ELECTRICAL**

TR04S

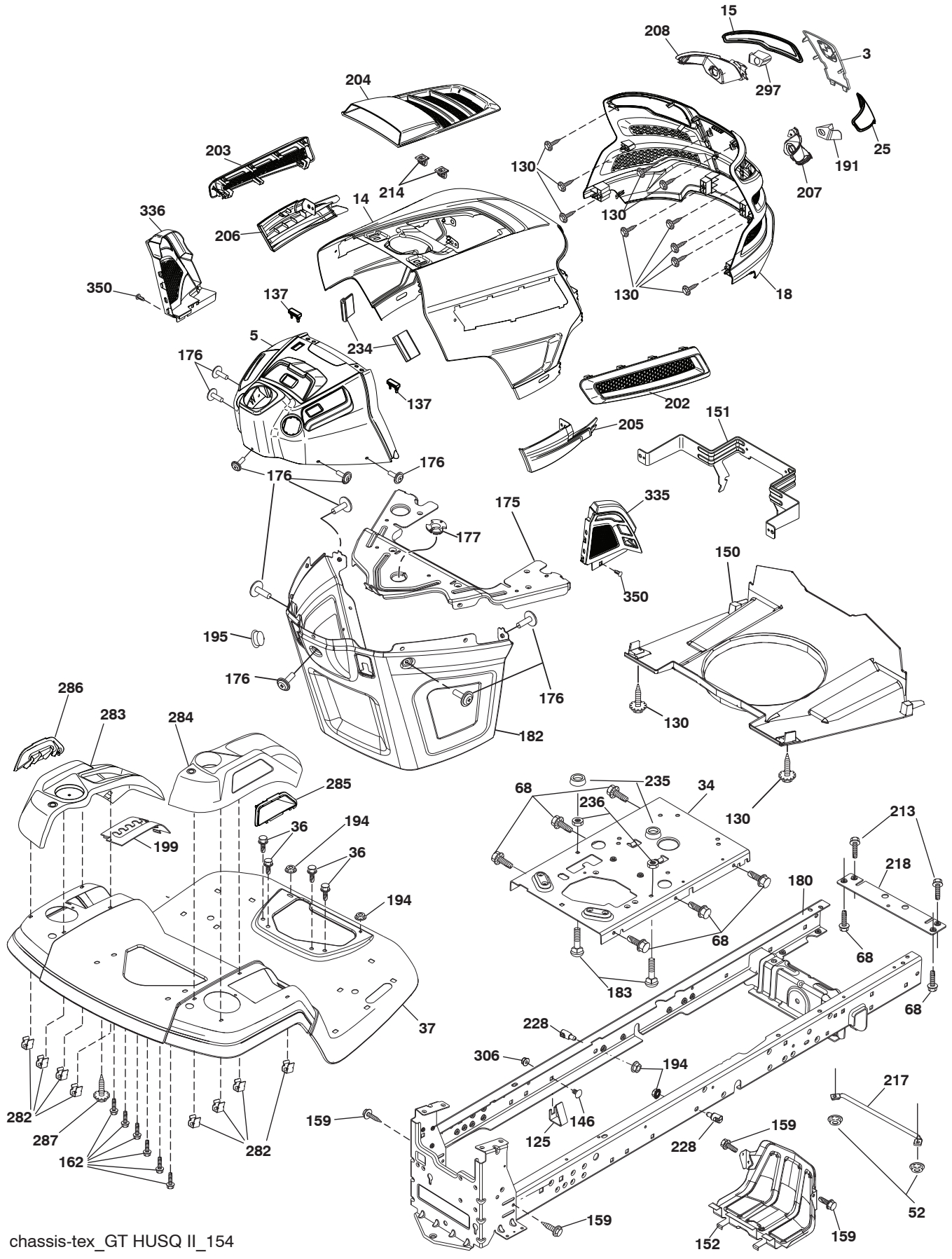


**TRACTOR - - MODEL NUMBER YTH22K42 (96048005600), PRODUCT NO. 960 48 00-56  
ELECTRICAL**

<b>KEY PART NO.</b>	<b>PART NO.</b>	<b>DESCRIPTION</b>
1	532 16 34-65	Battery
2	874 76 04-12	Bolt Hex Head 1/4-20 x 3/4
8	532 19 32-28	Box Battery
16	532 17 61-38	Switch Interlock Push-In
21	532 40 02-52	Harness Socket Light w/4152J
22	532 00 41-52	Bulb Light
25	581 49 80-01	Cable Starter
26	532 17 51-58	Fuse
27	873 51 04-00	Nut Keps Hex 1/4-20 unc
28	532 42 16-86	Cable, Ground
29	532 40 15-45	Switch, Seat
30	532 19 33-50	Switch, Ign
33	532 41 19-35	Key/Chain
34	532 11 07-12	Switch Light/Reset
40	581 02 32-01	Harness Ign. Dash
43	532 19 25-07	Solenoid
46	532 40 17-63	Gauge Serviceminder Hrmtr
50	532 17 46-51	Switch PTO
55	817 06 05-12	Screw Thdrol 5/16-18 x 3/4 TYTT
71	581 02 30-01	Harness Ign. Chassis
79	532 17 52-42	Socket Asm. Bulb
90	532 43 53-95	Cover Terminal
99	817 67 04-12	Screw Hex wsh Thdrol 1/4-20 x 3/4
102	532 40 44-54	Harness Pigtail Tex ROS Tuff Torq.
105	532 40 75-68	Switch Reverse
106	532 17 48-14	Palnut 1/4 Lugs

**NOTE:** All component dimensions given in U.S. inches  
1 inch = 25.4 mm

**TRACTOR - - MODEL NUMBER YTH22K42 (96048005600), PRODUCT NO. 960 48 00-56  
CHASSIS**



chassis-tex\_GT HUSQ II\_154

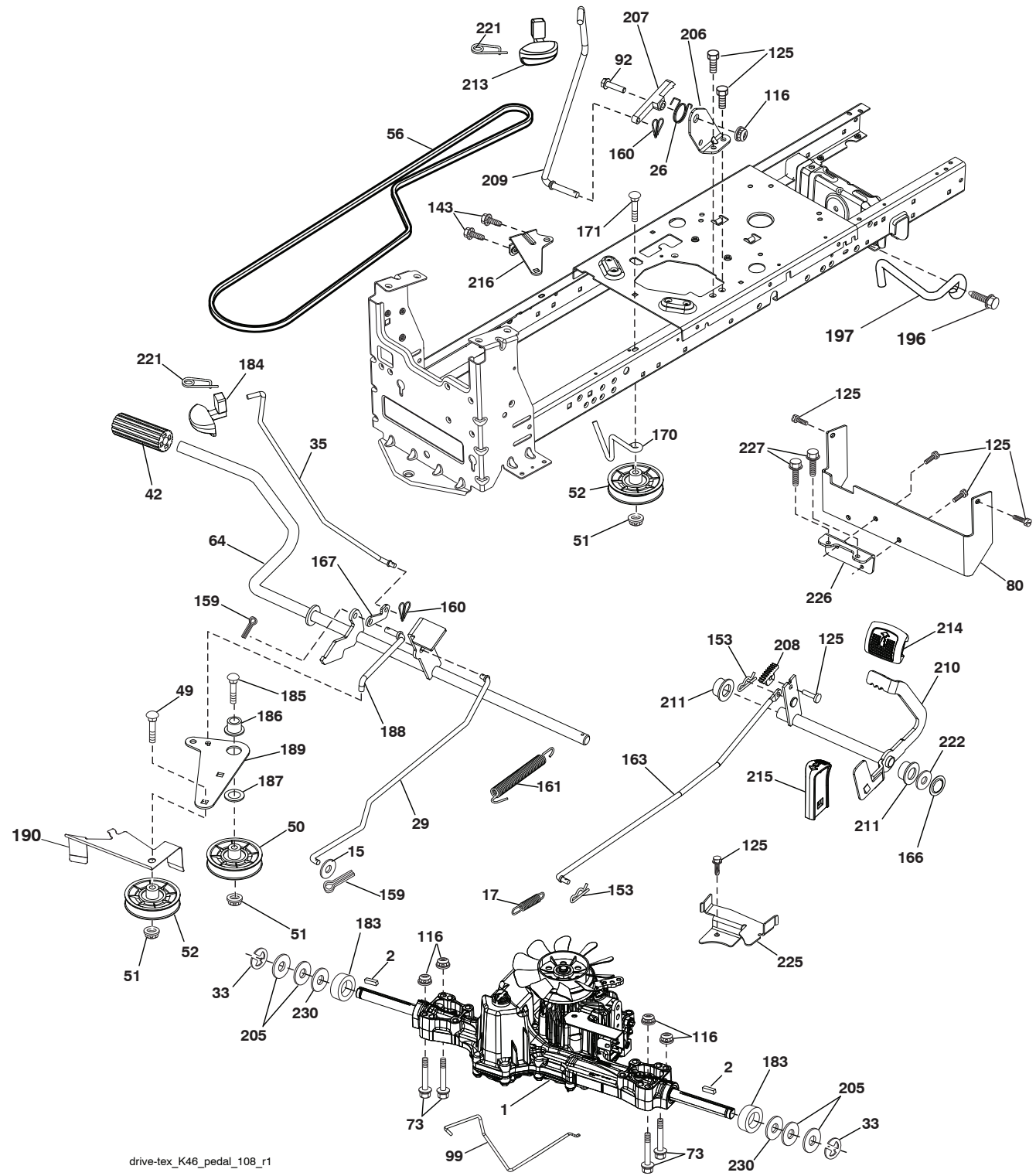
**TRACTOR - - MODEL NUMBER YTH22K42 (96048005600), PRODUCT NO. 960 48 00-56  
CHASSIS**

<b>KEY PART NO. NO.</b>	<b>DESCRIPTION</b>
3	532 43 97-52 Logo
5	532 43 74-80 Dash
14	532 44 11-77 Hood
15	532 43 97-33 Lens LH
18	532 44 06-53 Grille
25	532 44 33-85 Lens RH
34	580 91 08-01 Plate Engine
36	817 06 05-12 Screw 5/16-18 x 3/4
37	532 44 12-66 Fender
52	873 68 05-00 Nut Lock 5/16-18
68	817 49 05-08 Screw Thdrol 5/16-18 x 1/2
125	581 68 48-01 Clip Fuel Line
130	532 41 63-58 Screw #10 x 0.750
137	532 40 75-90 Bumper Dash
146	581 85 79-01 Bolt
150	532 43 97-74 Air Duct
151	532 43 66-70 Bracket Pivot Hood
152	532 43 98-70 Shield Browning
159	817 00 06-12 Screw Hexwsh Thrd 3/8-16 x 3/4
162	532 14 24-32 Screw
175	532 19 63-04 Crossmember
176	532 40 07-76 Screw 10-24 x 5/8
177	532 19 52-27 Bushing Steering
180	532 19 54-57 Chassis
182	532 40 68-59 Dash Lower
183	874 52 05-20 Bolt 5/16-18 x 1-1/4
191	532 43 74-55 Insert Reflective RH
194	873 90 05-00 Nut Lock Hex Flange 5/16-18
195	532 40 41-37 Plug Hole Dash Lower
199	532 41 34-85 Plate Deck Lift
202	532 43 97-28 Vent Side Hood RH

<b>KEY PART NO. NO.</b>	<b>DESCRIPTION</b>
203	532 43 97-27 Vent Side Hood LH
204	532 43 57-14 Vent Top Hood
205	532 43 97-30 Skirt Hood Side RH Trim
206	532 43 97-29 Skirt Hood Side LH Trim
207	532 43 97-34 Bezel RH
208	532 43 97-35 Bezel LH
213	874 76 05-12 Bolt 5/16-18 x 3/4
214	532 19 91-45 Clip Retainer Tinner
217	532 40 91-67 Rod Pivot
218	532 19 63-95 X-Piece Hood Stop
228	532 19 51-61 Stud Fastner
234	532 40 47-42 Bumper Hood
235	532 40 61-29 Spacer Fender
236	873 93 05-00 Nut Lock 5/16-18 unc
282	532 41 41-10 Clip Retainer
283	532 43 98-23 Console Shift
284	532 44 20-39 Console Asm.
285	532 41 63-15 Console Insert RH
286	532 41 63-17 Console Insert LH
287	817 60 04-06 Screw 1/4-20 x 3/8
297	532 43 74-56 Insert Reflective LH
306	873 90 06-00 Nut Lock
335	532 44 82-04 Cover Lower Dash RH
336	532 44 53-09 Cover Lower Dash LH GT2
350	532 44 51-43 Clip X-mas Tree

**NOTE:** All component dimensions given in U.S. inches  
1 inch = 25.4 mm

**TRACTOR - - MODEL NUMBER YTH22K42 (96048005600), PRODUCT NO. 960 48 00-56  
DRIVE**



drive-tex\_K46\_pedal\_108\_r1

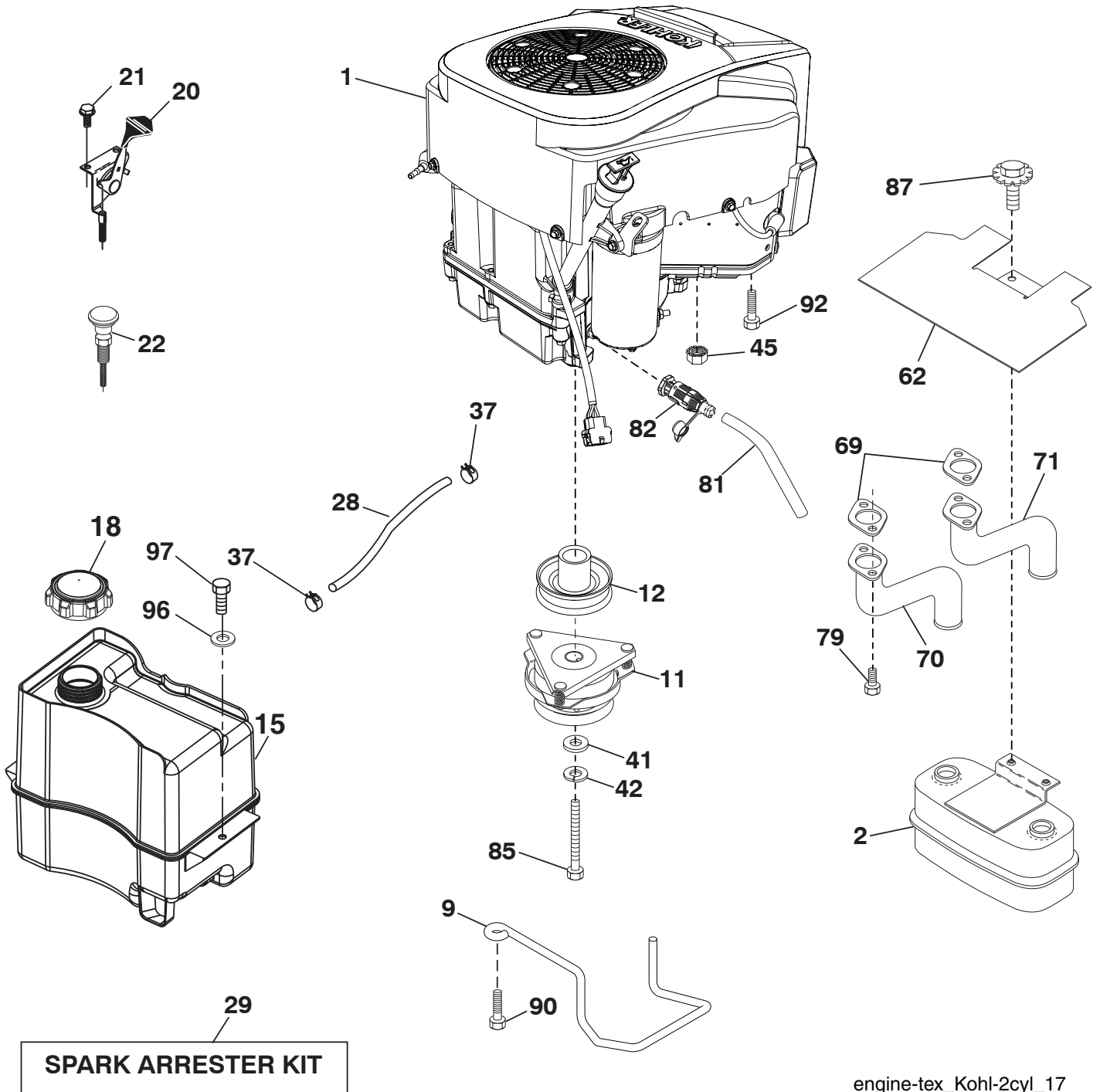


**TRACTOR - - MODEL NUMBER YTH22K42 (96048005600), PRODUCT NO. 960 48 00-56  
DRIVE**

KEY NO.	PART NO.	DESCRIPTION	KEY NO.	PART NO.	DESCRIPTION
1	---	Transaxle, Tufftorq K46BT(426120) (Order parts from transaxle manufacturer.)	171	872 11 06-16	Bolt Rdhd. Sq. NK 3/8-16 unc x 2
2	532 12 35-83	Key Square	183	532 13 70-57	Spacer Axle
15	819 13 13-16	Washer 13/32 x 13/16 x 16 Ga.	184	532 44 14-55	Handle Parking Brake
17	532 41 36-78	Spring, Brake	185	872 11 06-22	Bolt
26	532 19 96-79	Spring Return Cruise	186	532 19 43-21	Spacer Retainer
29	532 40 38-06	Rod, Brake	187	819 13 32-10	Washer
33	812 00 00-01	Ring E	188	532 19 43-23	Link Clutch Ground Drive
35	583 86 45-01	Rod, Brake, Park	189	532 19 43-17	Bellcrank Ground Drive
42	532 12 48-72	Cover, Foot Pedal	190	532 19 43-18	Keeper Bellcrank Ground Drive
49	872 11 06-14	Bolt	196	817 00 06-16	Screw 3/8-16 x 1
50	532 19 43-27	Pulley Idler Flat	197	532 19 58-04	Link Clutch Anti-Rotation
51	873 90 06-00	Lock Nut 3/8-16	205	532 12 17-48	Washer 25/32 x 1-5/8 x 16 Ga.
52	532 19 43-26	Idler V-Groove	206	532 44 85-96	Bracket Mount Latch Cruise
56	532 13 09-69	V-Belt, Drive	207	532 19 78-68	Latch Control Cruise
64	532 19 78-65	Shaft Asm. Pedal Brake Control	208	532 19 78-69	Gear Sector Control Cruise
73	874 49 05-40	Bolt Hex 5/16-18 x 2-1/2 Gr. 5	209	532 19 95-92	Rod Control Cruise
80	532 44 06-19	Strap Torque	210	532 40 09-80	Rocker Asm. Pedal Control
92	874 76 05-20	Bolt Fin Hex 5/16-18 unc x 1.25	211	532 12 01-83	Bearing Nylon
99	532 41 57-42	Rod Spring Bypass	213	532 40 31-19	Knob Control Cruise
116	873 90 05-00	Nut Lock Hex Flange 5/16-18	214	532 42 12-63	Pedal Forward Pad
125	817 00 05-12	Screw 5/16-18 x 3/4	215	532 40 17-23	Pedal Reverse
143	817 49 05-08	Screw 5/16-18 x 1/2	216	532 19 61-31	Bracket Pulley Idler
153	532 12 47-88	Retainer Spring 1"	221	532 40 31-87	Retainer Spring Clip Handle
159	876 02 04-12	Pin Cotter 1/8 x 3/4	222	879 21 20-10	Washer 21/32 x 1-1/4 10 Ga.
160	532 16 94-84	Retainer Clip	225	532 40 33-19	Keeper Belt Transaxle
161	532 10 57-09	Spring, Return, Clutch	226	532 40 15-64	Bracket Mount Torque
163	532 44 82-75	Rod Control	227	817 49 05-12	Screw Thdrol 5/16-18 x 3/4
166	532 42 91-64	Nut Push	230	532 18 89-67	Washer Harden .793 x 1.637 x 060
167	532 40 52-57	Latch Brake Parking			
170	532 19 43-22	Keeper V-Idler			

**NOTE:** All component dimensions given in U.S. inches  
1 inch = 25.4 mm

**TRACTOR - - MODEL NUMBER YTH22K42 (96048005600), PRODUCT NO. 960 48 00-56  
ENGINE**



engine-tex\_Kohl-2cyl\_17

**TRACTOR - - MODEL NUMBER YTH22K42 (96048005600), PRODUCT NO. 960 48 00-56  
ENGINE**

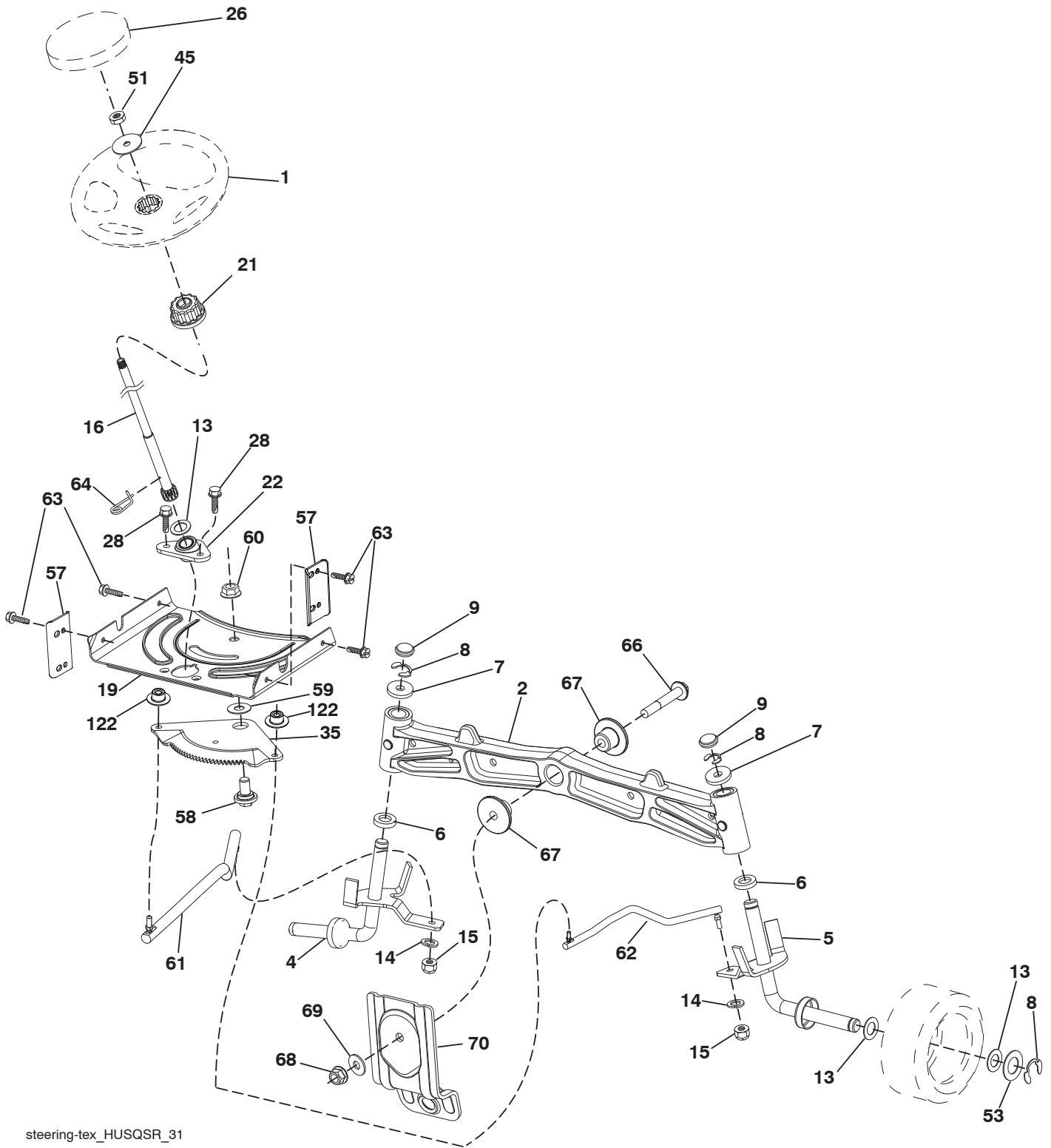
<b>KEY NO.</b>	<b>PART NO.</b>	<b>DESCRIPTION</b>
1	---	Engine Kohler Model No. KT725-3015 (585446101) (Order parts from engine manufacturer.)
2	532 44 59-62	Muffler
9	584 90 80-01	Keeper Belt Engine
11	532 40 00-08	Clutch Electric
12	532 40 50-97	Pulley Engine
15	581 29 01-01	Tank Fuel
18	532 43 02-20	Cap Asm
20	532 18 29-37	Control Throttle
21	532 41 63-58	Screw # 10 x 0.750
22	532 19 15-96	Control Choke Ergo
28	532 40 11-35	Fuel Line
29	532 13 71-80	Spark Arrester Kit
37	532 12 34-87	Clamp Hose
41	532 12 61-97	Washer 1-1/2 x 15/32 x 2.50
42	810 04 07-00	Washer Lock 7/16
45	873 51 04-00	Nut Keps Hex 1/4-20 unc
62	532 43 40-17	Shield Heat Muffler
69	532 18 60-54	Gasket
70	583 95 45-01	Pipe Exhaust LH
71	583 95 48-01	Pipe Exhaust RH
79	532 19 23-34	Screw Socket
81	532 14 84-56	Tube Drain Oil Easy
82	532 42 82-87	Valve Oil Drain
85	532 17 39-37	Bolt Hex 7/16-20 x 4 x Gr. 5-1.5 Thr
87	537 17 18-77	Bolt 5/16-18 unc x 3/4 w/Sems
90	817 00 06-16	Screw 3/8-16 x 1
92	817 12 06-16	Screw 3/8-16 x 1
96	819 09 14-16	Washer 9/32 x 7/8 x 16 Ga.
97	817 67 04-12	Screw 1/4-20 x 3/4

**NOTE:** All component dimensions given in U.S. inches.  
1 inch = 25.4 mm

For engine service and replacement parts, call the toll free number for your engine manufacturer listed below:

Kohler Co. 1-800-544-2444

**TRACTOR - - MODEL NUMBER YTH22K42 (96048005600), PRODUCT NO. 960 48 00-56**  
**STEERING ASSEMBLY**



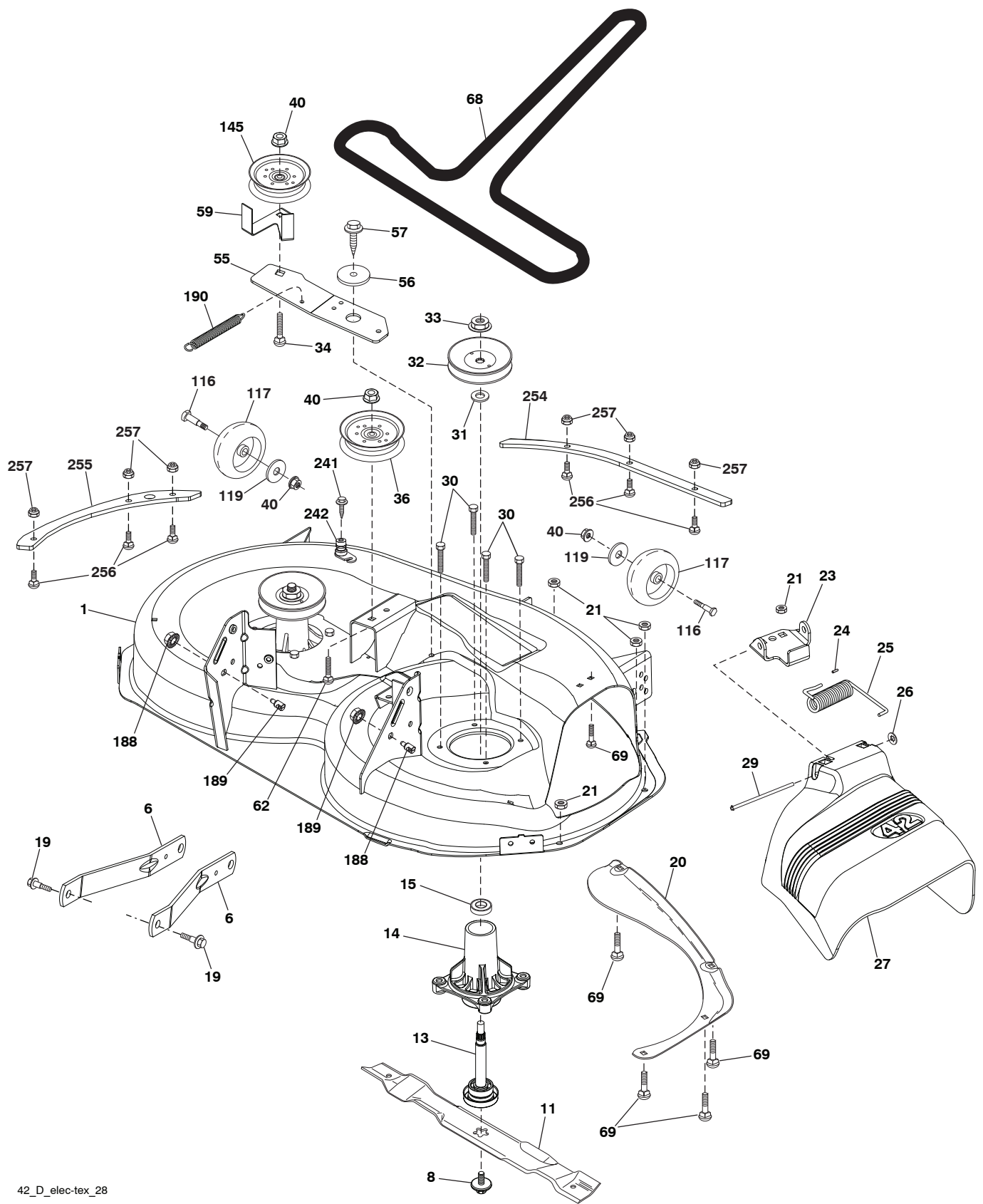
steering-tex\_HUSQSR\_31

**TRACTOR - - MODEL NUMBER YTH22K42 (96048005600), PRODUCT NO. 960 48 00-56  
STEERING ASSEMBLY**

<b>KEY NO.</b>	<b>PART NO.</b>	<b>DESCRIPTION</b>
1	532 43 97-40	Wheel, Steering
2	532 19 59-68	Axle Cast Iron
4	532 40 30-87	Spindle Asm., LH
5	532 40 30-88	Spindle Asm., RH
6	532 12 49-31	Washer, Thrust
7	532 12 17-48	Washer 25/32 x 1-5/8 x 16 Ga.
8	812 00 00-29	Ring, Klip #T5304-75
9	532 12 12-32	Cap, Spindle
13	532 12 17-49	Washer 25/32 x 1-1/4 x 16 Ga.
14	810 04 06-00	Washer, Lock Hvy Hlcl Spr 3/8
15	873 54 06-00	Nut, Crown Lock 3/8-24 unf
16	532 40 82-19	Shaft Steering
19	532 19 47-29	Plate Steering
21	532 18 67-37	Adapter, Wheel Steering
22	532 42 05-37	Steering Support Lower
26	532 43 97-43	Insert, Wheel Steering
28	817 00 06-12	Screw 3/8-16 x 3/4
35	532 19 47-32	Gear, Sector Plate
45	819 18 38-12	Washer 9/16 ID x 2-3/8 OD 12 Ga.
51	873 94 08-00	Nut Hex Jam Toplock 1/2-20 unf
53	532 18 89-67	Washer Hardened .793x1.637x.060
57	532 40 74-65	Bracket Upstop
58	532 19 47-47	Bolt Shoulder Sector Pivot CFM
59	532 19 47-48	Washer Thrust Sector Steering
60	873 97 10-00	Nut Flange Lock 5/8-11
61	532 19 47-40	Draglink, LH
62	532 19 47-41	Draglink, RH
63	817 00 05-12	Screw 5/16-18 x 3/4
64	532 19 98-49	Retainer Clip Spring Steering
66	871 02 07-48	Bolt Hex Fghd 7/16-14 x 3 Serr
67	532 19 47-37	Bushing PM Front Axle
68	873 90 07-00	Nut Lock Flange 7/16-14 Gr. 5
69	532 19 91-62	Washer 1.5 x .505 x .118
70	532 19 61-97	Bracket Deck Susp. Front
122	532 44 49-62	Cap Gear Sector Tex

**NOTE:** All component dimensions given in U.S. inches  
1 inch = 25.4 mm

**TRACTOR - - MODEL NUMBER YTH22K42 (96048005600), PRODUCT NO. 960 48 00-56  
MOWER DECK**



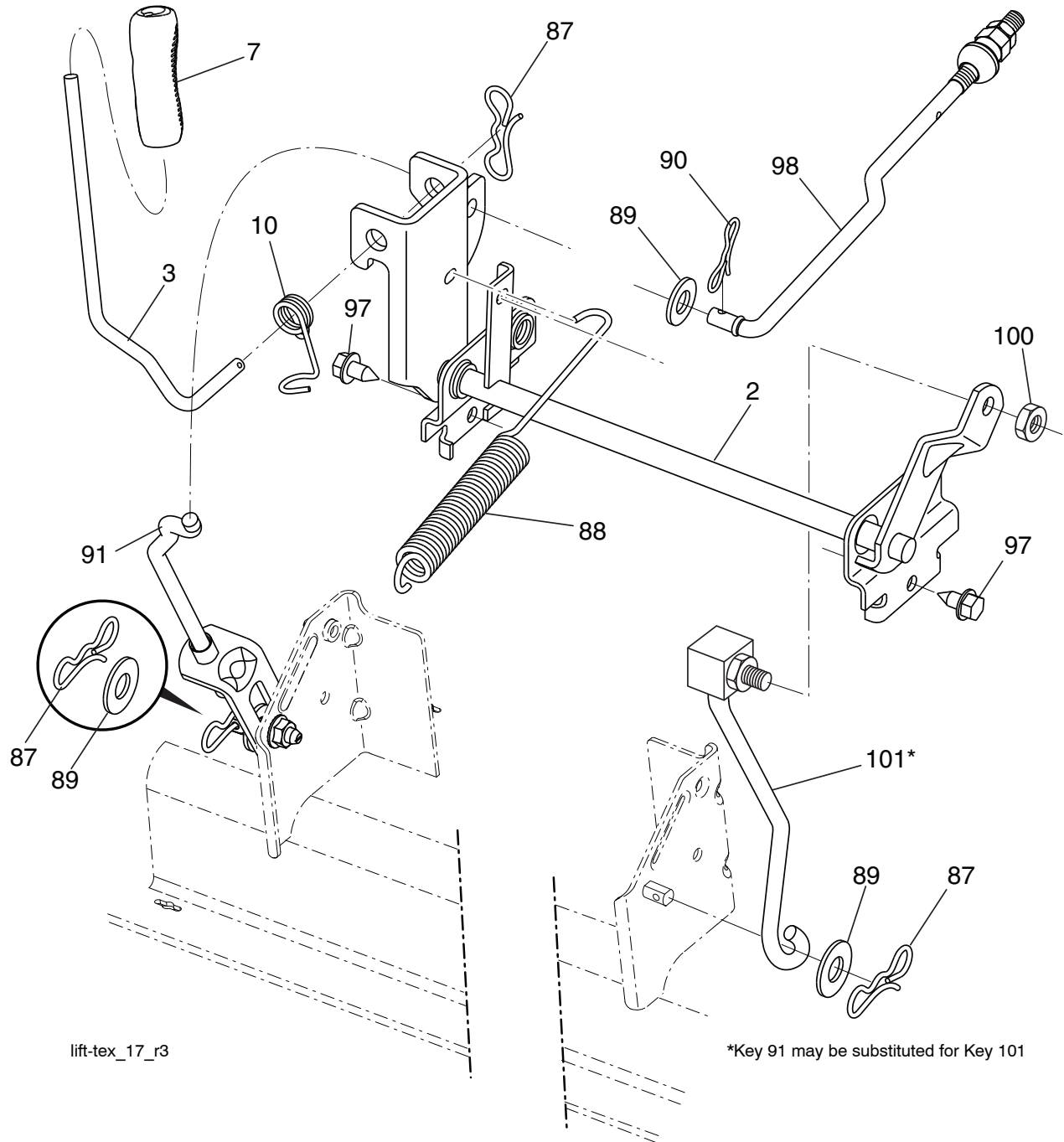
42\_D\_elec-tex\_28

**TRACTOR - - MODEL NUMBER YTH22K42 (96048005600), PRODUCT NO. 960 48 00-56  
MOWER DECK**

<b>KEY PART NO.</b>	<b>PART NO.</b>	<b>DESCRIPTION</b>
1	586 01 33-01	Mower Housing
6	532 19 51-86	Arm Suspension
8	532 19 30-03	Bolt/Washer asm 7/16-20 unf
11	532 13 89-71	Blade Mower Hi Lift
13	532 19 28-72	Shaft Assembly, Mandrel
14	532 18 72-81	Housing, Mandrel
15	532 11 04-85	Bearing, Ball, Mandrel
19	532 19 65-39	Bolt, Shoulder
20	532 15 97-70	Baffle Vortex 42 Std/Heavy
21	873 68 05-00	Nut
23	532 19 25-57	Bracket, Deflector
24	532 10 53-04	Cap, Sleeve
25	532 19 70-26	Spring, Torsion, Deflector
26	532 11 04-52	Nut, Push
27	532 40 30-04	Shield, Deflector
29	532 13 14-91	Rod, Hinge
30	532 17 39-84	Screw Thdrol Rolling Wsh Hd
31	532 18 76-90	Washer, Spacer
32	532 15 35-35	Pulley, Mandrel
33	532 40 02-34	Nut, Toplock, Flanged
34	872 11 06-12	Bolt Carr Sh. 3/8-16 x 1-1/2 Gr. 5
36	532 19 73-79	Pulley, Idler, Flat
40	873 90 06-00	Nut, Lock Flg. 3/8-16 unc
55	532 43 71-10	Arm, Idler
56	532 19 90-92	Spacer, Retainer
57	817 00 06-16	Screw Hexwsh Thd 3/8-16 x 1
59	532 14 10-43	Guard, Tuv Idler (94)
62	872 11 06-16	Bolt Rd Hd Sq Nk 3/8-16
68	532 14 49-59	V-Belt
69	872 14 05-05	Bolt
116	532 19 34-06	Bolt, Shoulder
117	532 17 48-73	Wheel, Gauge
119	819 13 20-12	Washer 13/32 x 1-1/4 x 12 Ga.
145	532 19 31-97	Pulley Idler
188	532 19 51-61	Stud Fastener
189	873 90 05-00	Nut Lock Hex Flange
190	532 19 72-51	Spring Mower Drive
241	532 15 29-27	Screw
242	532 41 55-98	Washout Port
254	581 96 75-03	Reinforcement Plate Front
255	581 96 76-03	Reinforcement Plate Side
256	539 10 98-00	Carriage Bolt 1/4-20 x 1 Gr. 5
257	873 90 04-00	Nut Hex Flange 1/4-20 unc
--	532 41 64-05	Quick Connect Coupling
--	532 19 28-70	Mandrel Assembly (Includes housing (key #14), shaft assembly (key #13), and bearing (key #15) only - pulley/nut/washer and blade bolt/washers not included)
--	585 99 53-01	Replacement Mower, Complete

**NOTE:** All component dimensions given in U.S. inches  
1 inch = 25.4 mm

**TRACTOR - - MODEL NUMBER YTH22K42 (96048005600), PRODUCT NO. 960 48 00-56  
MOWER LIFT**



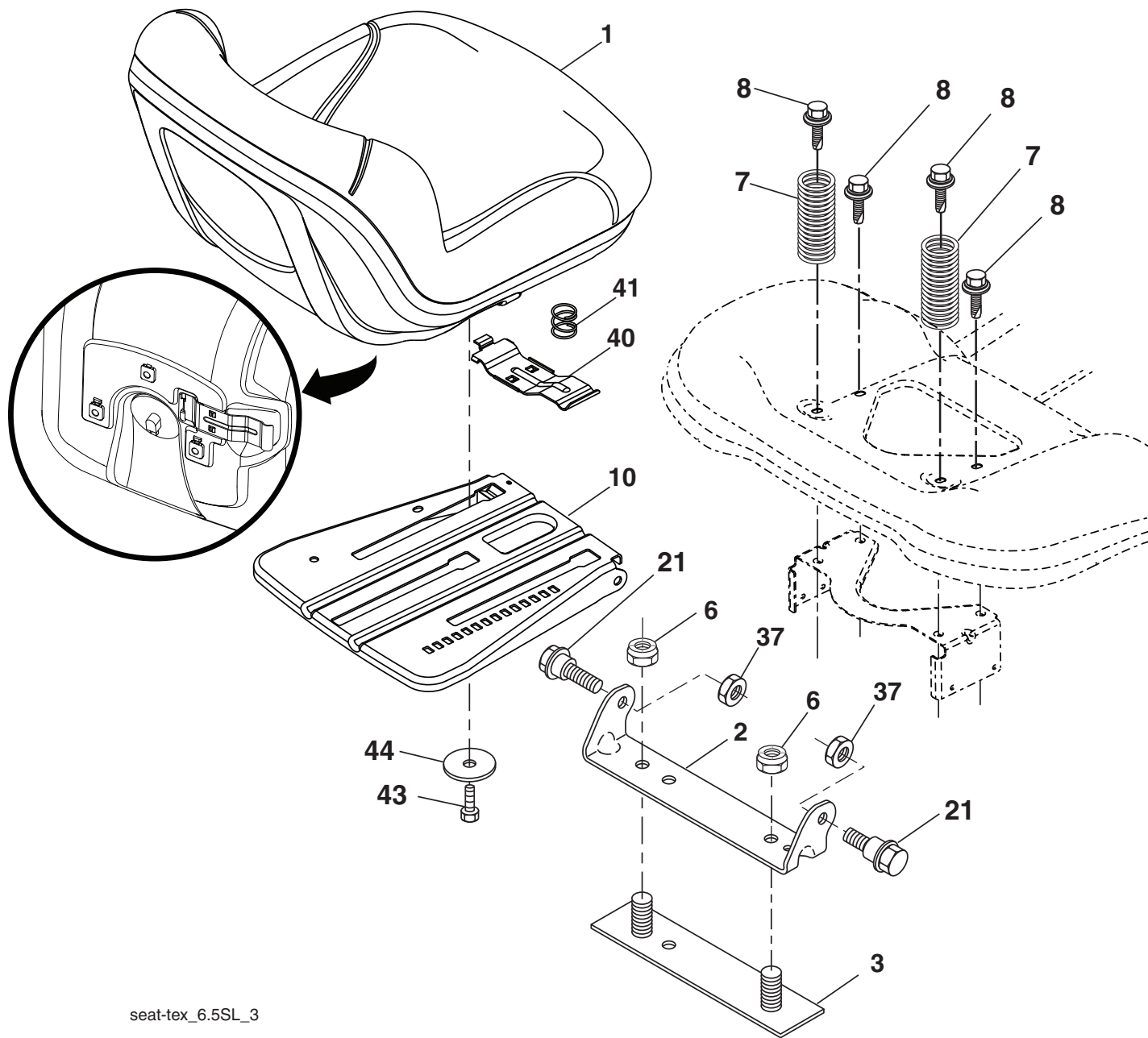
KEY PART NO.	NO.	DESCRIPTION
2	532 42 20-27	Shaft Asm., Lift
3	532 19 52-31	Lever Asm., Lift RH
7	580 96 23-01	Grip, Lever
10	532 19 63-14	Spring Torsion
87	532 19 42-09	Pin Cotter 7/16 Bow Tie Lock
88	532 41 07-10	Spring Lift Assist
89	819 19 19-12	Washer Clear Zinc
90	532 19 42-08	Pin Cotter 5/16 Bow Tie Lock
91	532 19 51-81	Link Lift Susp Mower Rear

KEY PART NO.	NO.	DESCRIPTION
97	817 00 06-12	Screw 3/8-16 x .75 Smgml Tap/R.Z
98	532 19 52-70	Link Lift Susp. Front Mower
100	873 93 06-00	Nut Center Lock 3/8-16 unc
101	532 40 70-03	Link Asm Lift Fixed

**NOTE:** All component dimensions given in U.S. inches  
1 inch = 25.4 mm



**TRACTOR - - MODEL NUMBER YTH22K42 (96048005600), PRODUCT NO. 960 48 00-56  
SEAT ASSEMBLY**



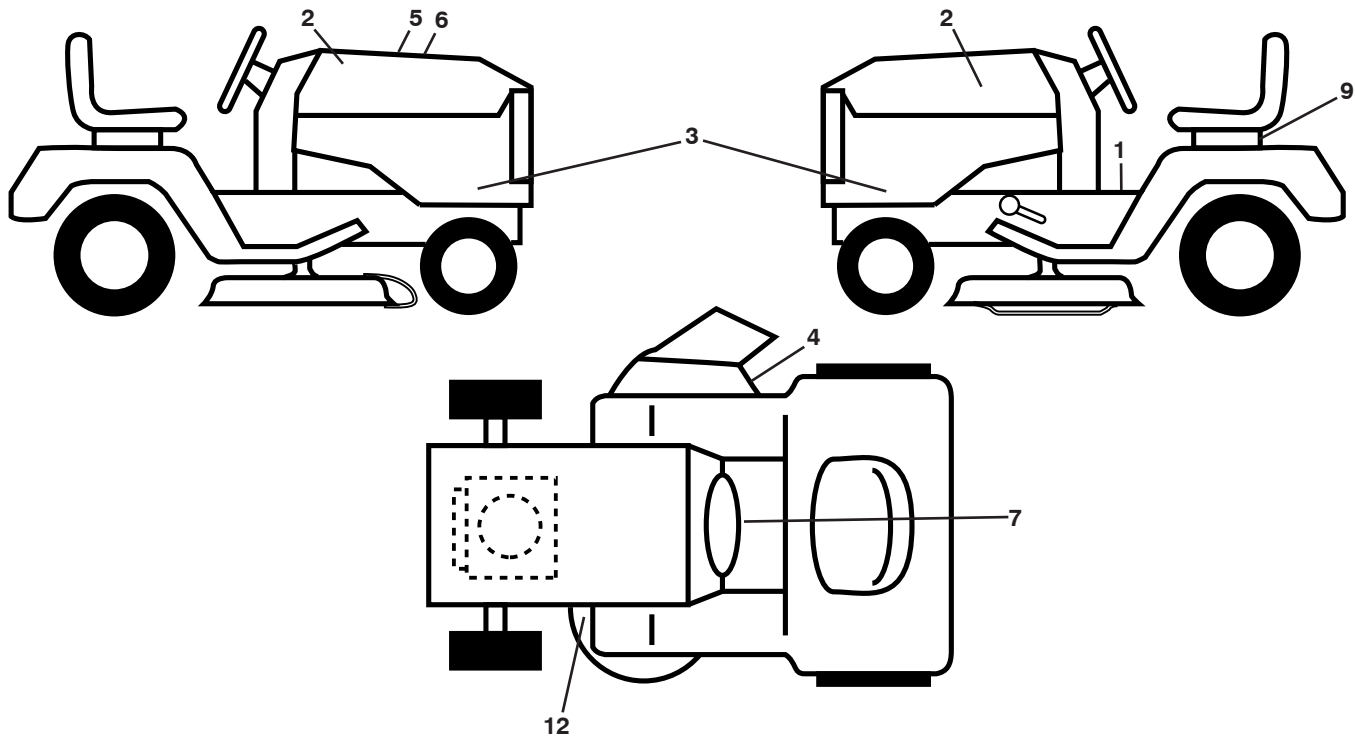
seat-tex\_6.5SL\_3

KEY PART NO.	NO.	DESCRIPTION
1	532 43 98-22	Seat
2	532 18 01-66	Bracket Pivot Fender
3	532 14 06-75	Strap, Asm Fender
6	873 80 06-00	Nut, Lock w/Ins. 3/8-16 unc
7	532 12 41-81	Spring, Seat Cprsn
8	532 17 18-77	Bolt 5/16-18 unc x 3/4 w/Sems
10	532 19 69-77	Pan, Seat
21	532 17 18-52	Bolt, Shoulder 5/16-18

KEY PART NO.	NO.	DESCRIPTION
37	873 80 05-00	Nut, Lock 5/16-18 unc
40	532 19 76-61	Handle Slide Seat
41	532 19 82-00	Spring Latch Seat
43	874 76 06-12	Bolt Fin Hex 3/8-16 unc x 3/4
44	819 13 38-12	Washer 13/32 x 2-3/8 x 12 Ga.

**NOTE:** All component dimensions given in U.S. inches  
1 inch = 25.4 mm

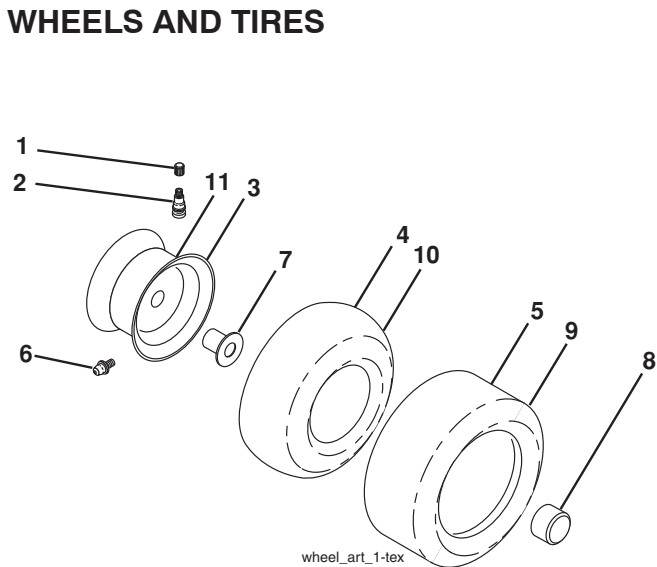
**TRACTOR - - MODEL NUMBER YTH22K42 (96048005600), PRODUCT NO. 960 48 00-56  
DECALS**



KEY NO.	PART NO.	DESCRIPTION
1	581 57 90-01	Decal, Fender Warning
2	581 62 73-01	Decal, Hood
3	532 44 70-17	Decal, Hood Panel SD
4	581 57 95-01	Decal, Mower Warning
5	532 42 38-29	Decal, Customer Respons.
6	585 79 52-01	Decal, Replacement
7	581 57 99-01	Decal, Warning

KEY NO.	PART NO.	DESCRIPTION
9	532 14 50-05	Decal, Battery Dnge/Poi
12	581 58 00-01	Decal, Mower V-Belt Schematic
--	581 72 48-01	Decal, Bypass
--	532 43 96-81	Pad, Footrest, LH
--	532 43 96-82	Pad, Footrest, RH
--	585 88 00-24	Manual, Operator's (English/French)
--	585 88 01-24	Manual, Part's (English/French)

**WHEELS AND TIRES**



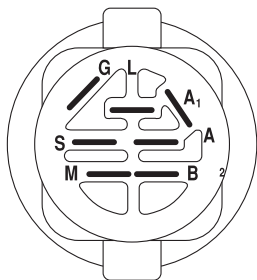
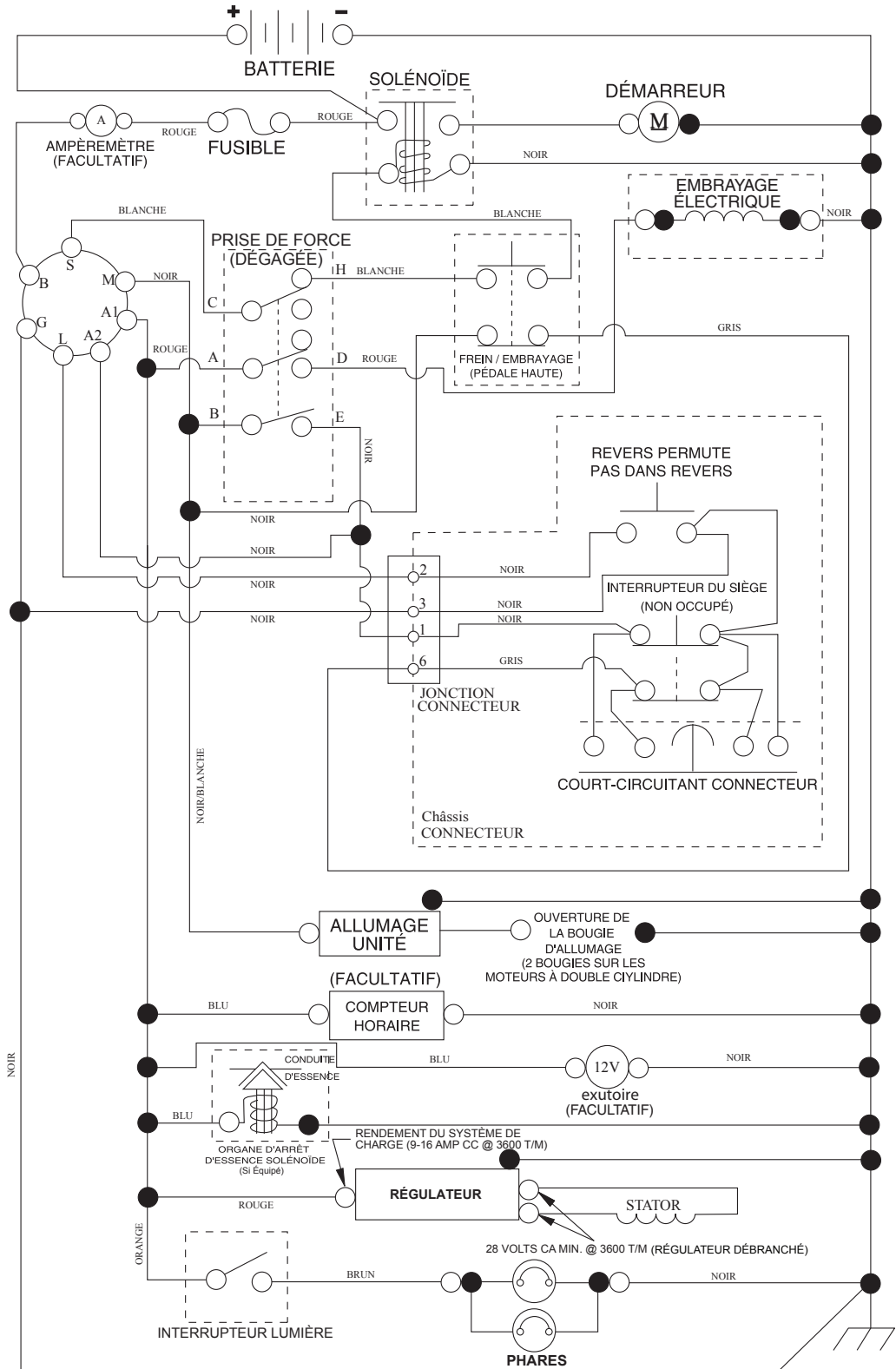
KEY NO.	PART NO.	DESCRIPTION
1	532 05 91-92	Cap Valve Tire
2	532 06 51-39	Stem Valve
3	532 13 83-36	Rim Front
4	532 05 99-04	Tube Front (Service Item Only)
5	532 10 62-22	Tire Front 15 x 6-6
6	532 12 49-57	Fitting Grease (Front Wheel Only)
7	532 12 49-59	Bearing Flange (Front Wheel Only)
8	532 17 50-39	Cap Axle Blk 1 50 x 1 00
9	532 13 84-68	Tire Rear 20 x 8-8
10	532 12 49-26	Tube Rear (Service Item Only)
11	532 13 83-37	Rim Asm 8" Rear
--	532 14 43-34	Sealant, Tire (10 oz. Tube)

**NOTE:** All component dimensions given in U.S. inches  
1 inch = 25.4 mm

# TRACTEUR - NO. DE MODÈLE YTH22K42 (96048005600), NO. DE PRODUIT 960 48 00-56

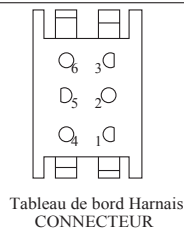
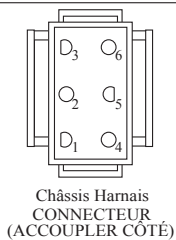
## SCHEMA

SCH12-F



### CONTACTEUR D'ALLUMAGE

POSITION	CIRCUIT "FAITS"
ARRÊT	M + G + A1
MARCHE/ ALLUMAGE	B + A1
MARCHE	B + A1      L+A2
DÉMARRAGE	B + S + A1



### PINCES ISOLÉES

REMARQUE: SI LES PINCES ISOLÉES ONT ÉTÉ ENLEVÉES POUR L'ENTRETIEN DU MODÈLE, ELLES DOIVENT ÊTRE REMISES EN PLACE POUR ASSURER LE BON FONCTIONNEMENT DU CÂBLAGE.

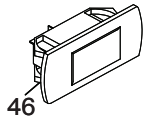
CONNECTEURS NON-AMOVIBLES

CONNECTEURS AMOVIBLES

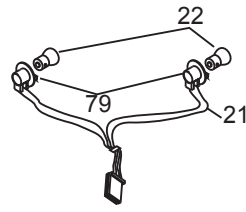
# TRACTEUR - NO. DE MODÈLE YTH22K42 (96048005600), NO. DE PRODUIT 960 48 00-56 ÉLECTRIQUE

TR04S-f

Avec l'indicateur d'heures l'option



46



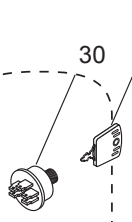
22

79

21

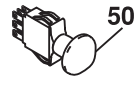


34

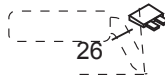


30

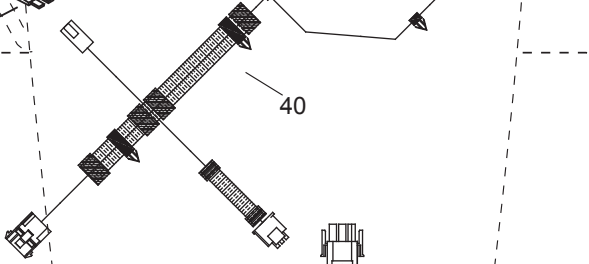
33



50



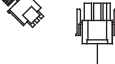
26



40



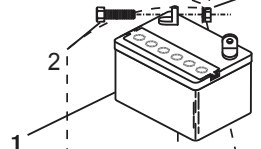
16



71



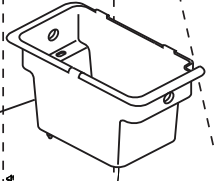
90



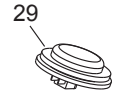
2

1

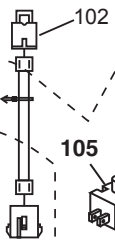
27



8

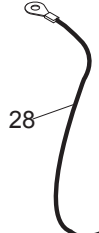


29



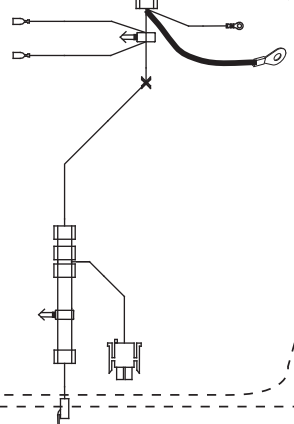
102

105

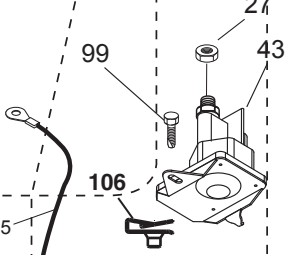


28

55



25



99

27

43

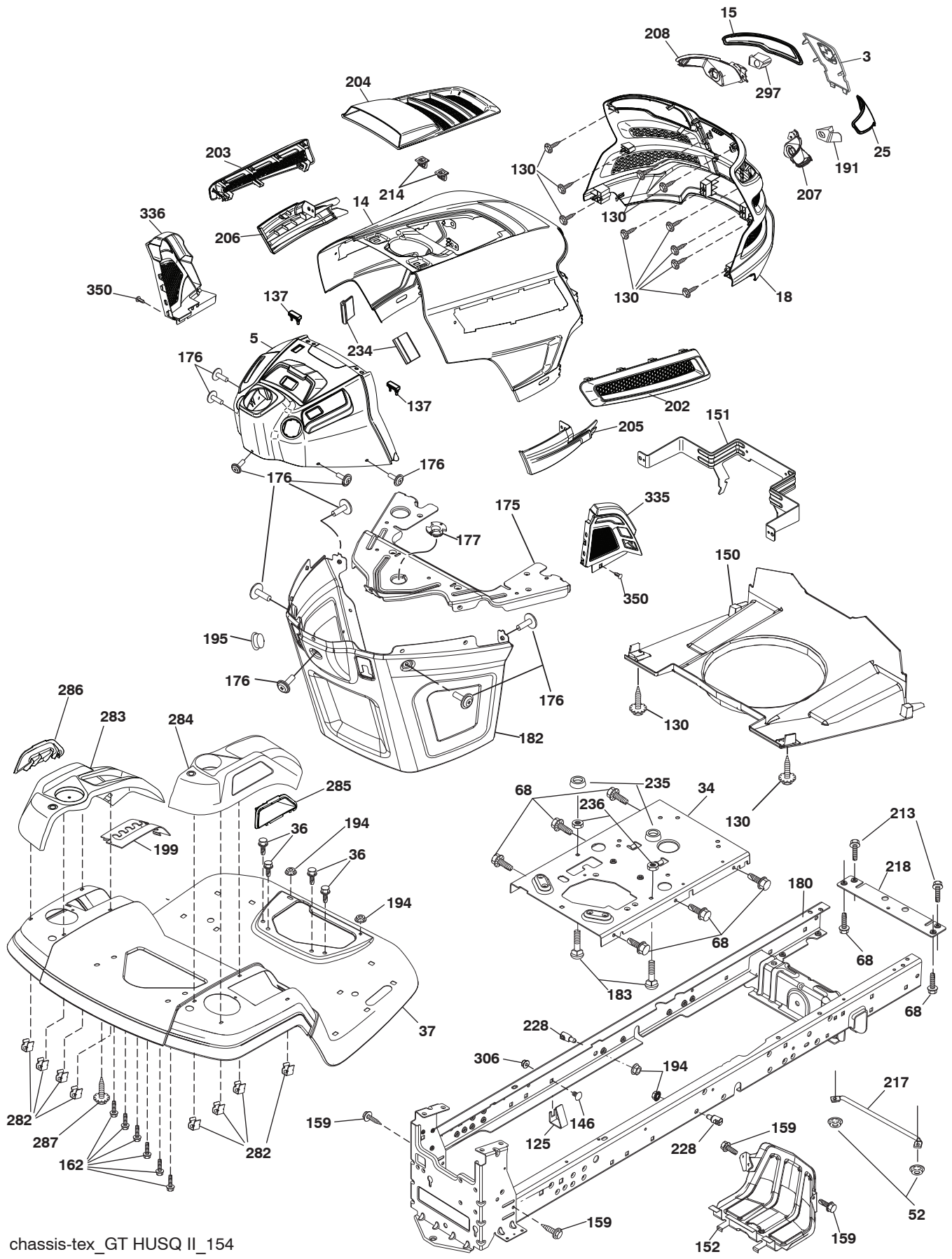
106

# TRACTEUR - NO. DE MODÈLE YTH22K42 (96048005600), NO. DE PRODUIT 960 48 00-56 ÉLECTRIQUE

NO. DE RÉF.	NO DE PIÈCE	DESCRIPTION
1	532 16 34-65	Batterie
2	874 76 04-12	Boulon H 1/4-20 unc x 3/4
8	532 19 32-28	Bac de batterie
16	532 17 61-38	Interrupteur de verrouillage pressé
21	532 40 02-52	Harnais des prises de courant des phares avec 4152J
22	532 00 41-52	Ampoule N°1156
25	581 49 80-01	Câble de starter
26	532 42 16-86	Fusible
27	873 51 04-00	Écrou H 1/4-20 unc
28	532 42 16-86	Câble de masse
29	532 40 15-45	Interrupteur
30	532 19 33-50	Contacteur d'allumage
33	532 41 19-35	Clé/chaîne
34	532 11 07-12	L'interrupteur des phares
40	581 02 32-01	Harnais des câbles
43	532 19 25-07	Solénoïde
46	532 40 17-63	Jauge
50	532 17 46-51	Interrupteur
55	817 06 05-12	Vis 5/16-18 x 3/4 TYTT
71	581 02 30-01	Harnais des cables of d'allumage
79	532 17 52-42	Prise de courant d'ampoule
90	532 43 53-95	Couverture
99	817 67 04-12	Vis 1/4-20 x 3/4
102	532 40 44-54	Harnais
105	532 40 75-68	Interrupteur
106	532 17 48-14	Écrou 1/4

**REMARQUE:** Toutes les dimensions de composant sont données en pouces É.-U. --1 pouce = 25,4 mm

TRACTEUR - NO. DE MODÈLE YTH22K42 (96048005600), NO. DE PRODUIT 960 48 00-56  
CHÂSSIS/ENCEINTES



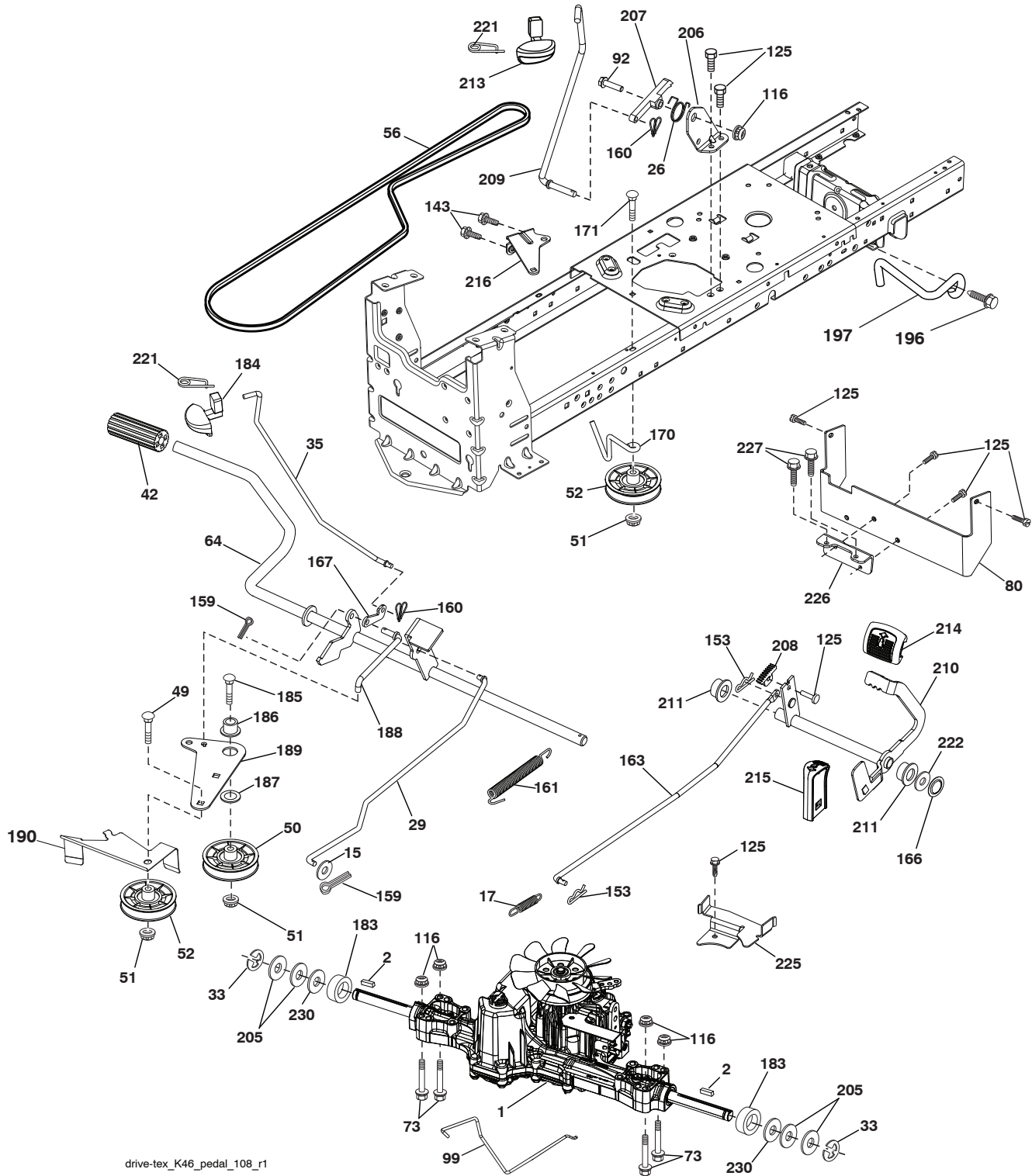
chassis-tex\_GT HUSQ II\_154

# TRACTEUR - NO. DE MODÈLE YTH22K42 (96048005600), NO. DE PRODUIT 960 48 00-56 CHÂSSIS/ENCEINTES

NO. DE RÉF.	NO DE PIÈCE	DESCRIPTION	NO. DE RÉF.	NO DE PIÈCE	DESCRIPTION
3	532 43 97-52	Applique	205	532 43 97-30	Jupe C.D.
5	532 43 74-80	Tableau de bord, Husq.	206	532 43 97-29	Jupe C.G.
14	532 44 11-77	Capot	207	532 43 97-34	Biseau C.D.
15	532 43 97-33	Lentille C.G.	208	532 43 97-35	Biseau C.G.
18	532 44 06-53	Calandre	213	874 76 05-12	Boulon H 5/16-18 unc x 3/4
25	532 44 33-85	Lentille C.D.	214	532 19 91-45	Pince de arrêtör
34	580 91 08-01	Plaquette de moteur	217	532 40 91-67	Attache
36	817 06 05-12	Vis 5/16-18 x 3/4	218	532 19 63-95	Le "X" morceau pour arrêtör le capuchon
37	532 44 12-66	Aile	228	532 19 51-61	Tenon
52	873 68 05-00	Écrou auto-bloquant 5/16-18	234	532 40 47-42	Le capuchon du pare-chocs
68	817 49 05-08	Vis 5/16-18 x 1/2	235	532 40 61-29	Entretoise pour l'aile
125	581 68 48-01	Support	236	873 93 05-00	Écrou auto-bloquant 5/16-18 unc
130	532 41 63-58	Vis #10 x 0.750	282	532 41 41-10	Collier de serrage
137	532 40 75-90	Tableau de bord du chocs	283	532 43 98-23	Console
146	581 85 79-01	Boulon	284	532 44 20-39	Console ensemble
150	532 43 97-74	Conduit d'air	285	532 41 63-15	Insertion de console C.D.
151	532 43 66-70	Capot de pivot de parenthèse	286	532 41 63-17	Insertion de console C.G.
152	532 43 98-70	Défecteur	287	817 60 04-06	Vis 1/4-20 x 3/8
159	817 00 06-12	Vis 3/8-16 x 3/4	297	532 43 74-56	Insertion réfléchissante C.G.
162	532 14 24-32	Vis	306	873 90 06-00	Écrou
175	532 19 63-04	Croix	335	532 44 82-04	Abaissez le couvercle de tableau de bord C.D.
176	532 40 07-76	Vis 10-24 x 5/8			
177	532 19 52-27	Direction De Douille	336	532 44 53-09	Abaissez le couvercle de tableau de bord C.G.
180	532 19 54-57	Châssis			
182	532 40 68-59	Inférieur du tableau de bord	350	532 44 51-43	Couper
183	874 52 05-20	Boulon 5/16-18 x 1-1/4			
191	532 43 74-55	Insertion réfléchissante C.D.			
194	873 90 05-00	Écrou frein H 5/16-18			
195	532 40 41-37	Bouchon			
199	532 41 34-85	Plaque			
202	532 43 97-28	Ventilé C.D.			
203	532 43 97-27	Ventilé C.G.			
204	532 43 57-14	Ventilé supérieur			

**REMARQUE:** Toutes les dimensions de composant sont données en pouces É.-U. --1 pouce = 25,4 mm

**TRACTEUR - NO. DE MODÈLE YTH22K42 (96048005600), NO. DE PRODUIT 960 48 00-56**  
**ENTRAÎNEMENT**



drive-tex\_K46\_pedal\_108\_r1

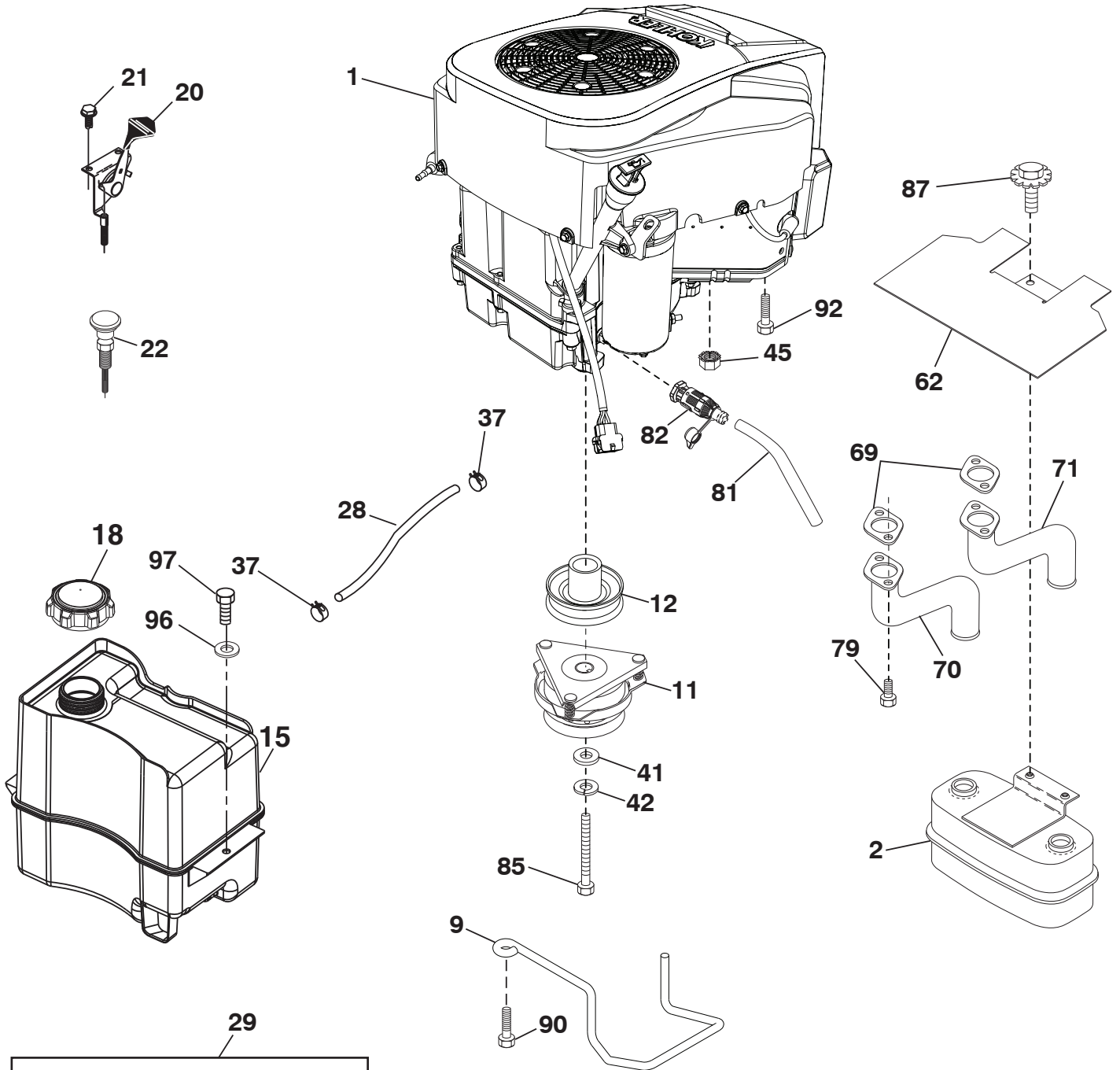


# TRACTEUR - NO. DE MODÈLE YTH22K42 (96048005600), NO. DE PRODUIT 960 48 00-56 ENTRAÎNEMENT

NO. DE RÉF.	NO DE PIÈCE	DESCRIPTION	NO. DE RÉF.	NO DE PIÈCE	DESCRIPTION
1	---	Transmission TUFFTORQ K46BT (426120) (Commandez les pièces du fabricant du transmission.)	183	532 13 70-57	Entretoise
2	532 12 35-83	Clé	184	532 44 14-55	Poignée de frein de stationnement
15	819 13 13-16	Rondelle 13/32 x 13/16 x 16 Ja.	185	872 11 06-22	Boulon
17	532 41 36-78	Ressort	186	532 19 43-21	Ressort de retenue
26	532 19 96-79	Ressort de rappel	187	819 13 32-10	Rondelle
29	532 40 38-06	Tige du frein	188	532 19 43-23	Raccord d'embrayage
33	812 00 00-01	Bague en E	189	532 19 43-17	Levier coudé
35	583 86 45-01	Tige du frein de stationnement	190	532 19 43-18	Garde du courroie
42	532 12 48-72	Couverture de la pédale	196	817 00 06-16	Vis 3/8-16 x 1
49	872 11 06-14	Boulon	197	532 19 58-04	Barre
50	532 19 43-27	Poulie du galet-tendeur	205	532 12 17-48	Rondelle 25/32 x 1-5/8 x 16 Ja.
51	873 90 06-00	Écrou frein 3/8-16	206	532 44 85-96	Support
52	532 19 43-26	Galet-tendeur	207	532 19 78-68	Loquet
56	532 13 09-69	Courroie trapézoïdale	208	532 19 78-69	Secteur denté
64	532 19 78-65	Ensemble de l'arbre	209	532 19 95-92	Tige
73	874 49 05-40	Boulon 5/16-18 x 2-1/2 Cat. 5	210	532 40 09-80	Commande de pédale
80	532 44 06-19	Couple De Courroie	211	532 12 01-83	Palier de nylon
92	874 76 05-20	Boulon 5/16-18 unc x 1.25	213	532 40 31-19	Bouton
99	532 41 57-42	Tige de dérivation	214	532 42 12-63	Pédale en avant
116	873 90 05-00	Écrou frein 5/16-18	215	532 40 17-23	Pédale contraire
125	817 00 05-12	Vis 5/16-18 x 3/4	216	532 19 61-31	Support (poulie du galet-tendeur)
143	817 49 05-08	Vis 5/16-18 x 1/2	221	532 40 31-87	Ressort de retenue
153	532 12 47-88	Ressort D'Arrêtoir	222	879 21 20-10	Rondelle 21/32 x 1-1/4 10 Ja.
159	876 02 04-12	Goupille fendue 1/8 x 3/4	225	532 40 33-19	Garde du courroie
160	532 16 94-84	Collier de retenue	226	532 40 15-64	Support
161	532 10 57-09	Ressort de rappel d'embrayage	227	817 49 05-12	Vis 5/16-18 x 3/4
163	532 44 82-75	Tige du contrôle	230	532 18 89-67	Rondelle .793 x 1.637 x 060
166	532 42 91-64	Écrou .625			
167	532 40 52-57	Loquet			
170	532 19 43-26	Guide-courroie			
171	872 11 06-16	Boulon 3/16-16 unc x 2			

**REMARQUE:** Toutes les dimensions de composant sont données en pouces E.-U. --1 pouce = 25,4 mm

**TRACTEUR - NO. DE MODÈLE YTH22K42 (96048005600), NO. DE PRODUIT 960 48 00-56  
MOTEUR**



**ÉQUIPIMENT FACULTATIF  
PARA-ÉTINCELLES**

engine-tex\_Kohl-2cyl\_17

# TRACTEUR - NO. DE MODÈLE YTH22K42 (96048005600), NO. DE PRODUIT 960 48 00-56 MOTEUR

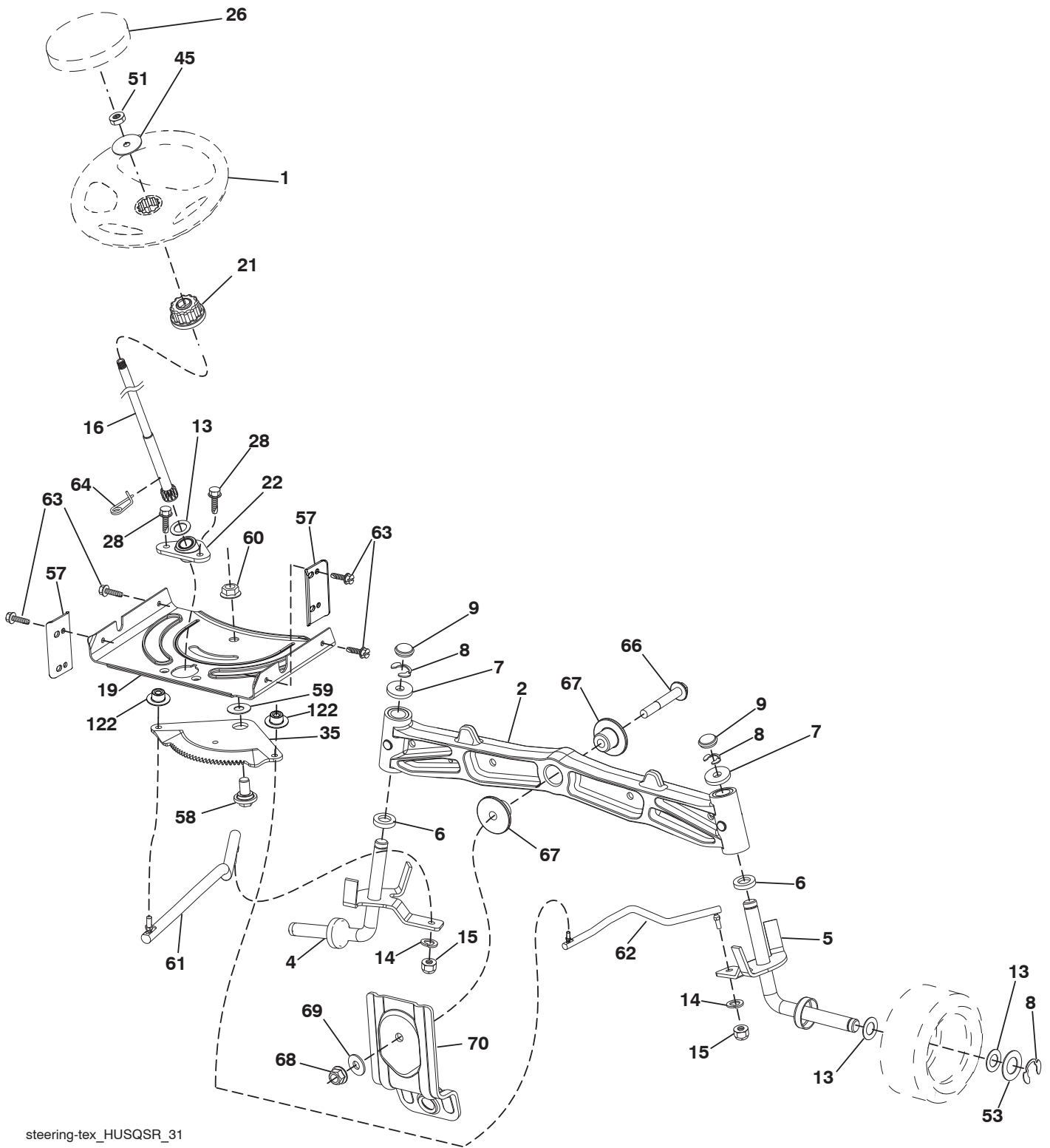
NO. DE RÉF.	NO. DE PIÈCE	DESCRIPTION
1	— — — — —	Moteur Kohler-No. de modèle KT725-3015 (585446101) (Commandez les pièces du fabricant du moteur.)
2	532 44 59-62	Silencieux
9	584 90 80-01	Guide-courroie du moteur
11	532 40 00-08	Embrayage
12	532 40 50-97	Poulie de moteur
15	581 29 01-01	Réservoir d'essence
18	532 43 02-20	Chapeau d'essence
20	532 18 29-37	Commande des gaz
21	532 41 63-58	Vis #10 x 0.750
22	532 19 15-96	Commande Du Starter
28	532 40 11-35	Conduite d'essence
29	532 13 71-80	Jeu de pare - étincelles (écran plate)
37	532 12 34-87	Bride de serrage de tuyau
41	532 12 61-97	Rondelle 1-1/2 x 15/32 x .250
42	810 04 07-00	Rondelle frein 7/16
45	873 51 04-00	Écrou H 1/4-20 unc
62	532 43 40-17	Le tuyau du silencieux
69	532 18 60-54	Garniture
70	583 95 45-01	Pipe Exhaust LH
71	583 95 48-01	Pipe Exhaust RH
79	532 19 23-34	Douille à vis
81	532 14 84-56	Tube de vidange d'huile
82	532 42 82-87	Soupape d'huile
85	532 17 39-37	Boulon
87	537 17 18-77	Boulon 5/16-18 UNC x 3/4
90	817 00 06-16	Vis 3/8-16 x 1
92	817 12 06-16	Vis 3/8-16 x 1
96	819 09 14-16	Rondelle 9/32 x 7/8 x 16 Ja.
97	817 67 04-12	Vis 1/4-20 x 3/4

**REMARQUE:** Toutes les dimensions de composant sont données en pouce d'E.-U. - - 1 pouce = 25,4 mm.

Pour des pièces de service et de rechange de moteur, réclamez le numéro de téléphone libre pour votre fabricant de moteur énuméré ci-dessous:

Kohler Co. 1-800-544-2444

TRACTEUR - NO. DE MODÈLE YTH22K42 (96048005600), NO. DE PRODUIT 960 48 00-56  
ENSEMBLE DE LA DIRECTION



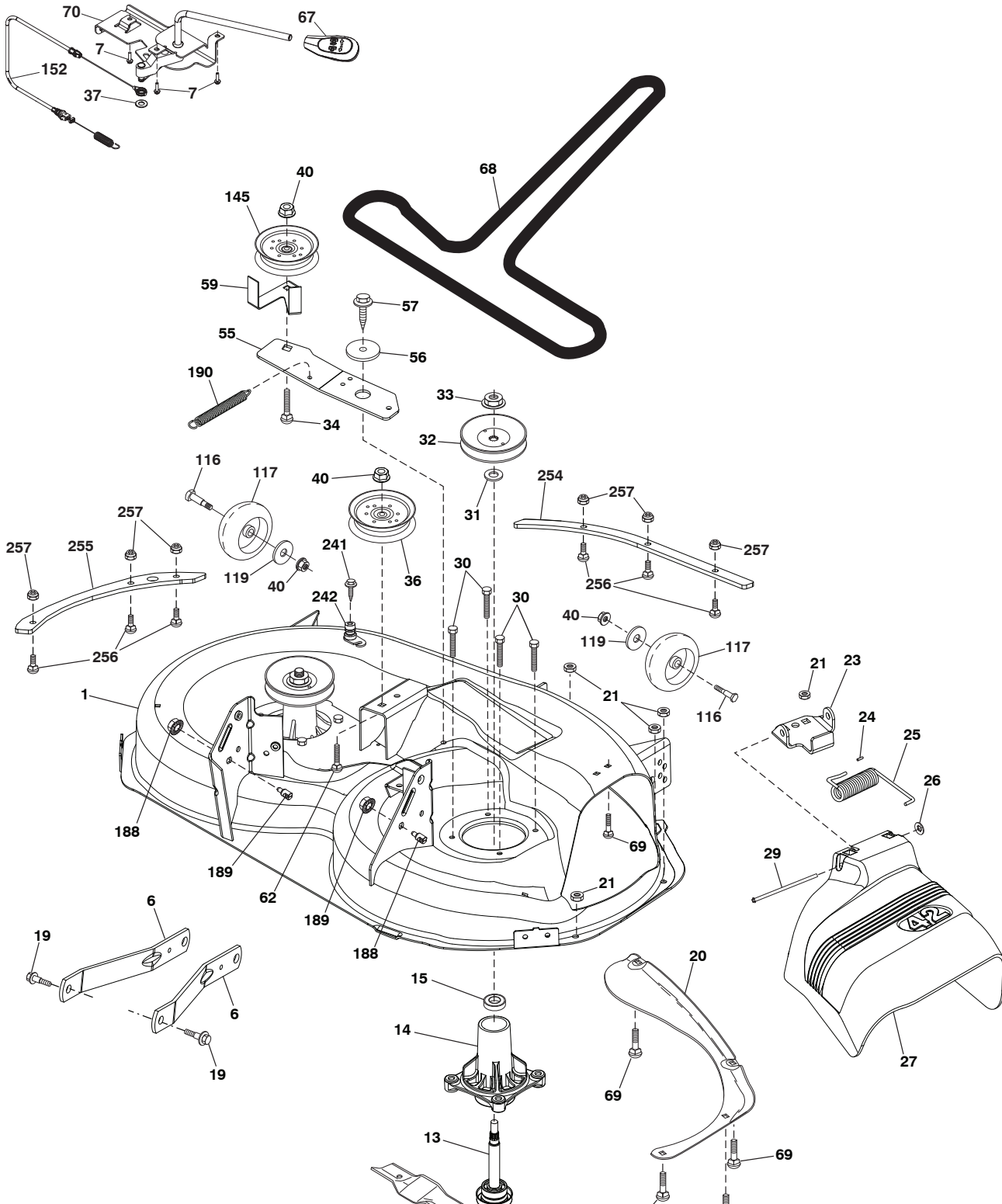
steering-tex\_HUSQSR\_31

**TRACTEUR - NO. DE MODÈLE YTH22K42 (96048005600), NO. DE PRODUIT 960 48 00-56  
ENSEMBLE DE LA DIRECTION**

<b>NO. DE RÉF.</b>	<b>NO DE PIÈCE</b>	<b>DESCRIPTION</b>
1	532 43 97-40	Volant de direction
2	532 19 59-68	Essieu
4	532 40 30-87	Ensemble de la broche C.G.
5	532 40 30-88	Ensemble de la broche C.D.
6	532 12 49-31	Rondelle butée .75 x 1.230
7	532 12 17-48	Rondelle 25/32 x 1-5/8 x 16 Ja.
8	812 00 00-29	Rondelle clip n°t5304-75
9	532 12 12-32	Chapeau de broche antérieur
13	532 12 17-49	Rondelle 25/32 x 1 1/4 x 16 Ja.
14	810 04 06-00	Rondelle frein hélicoïdale à ressort 3/8
15	873 54 06-00	Écrou auto-serrant
16	532 40 82-19	Arbre de direction
19	532 19 47-29	Plaque
21	532 18 67-37	Adaptateur
22	532 42 05-37	Support du direction
26	532 43 97-43	Insert du volant de direction
28	817 00 06-12	Vis 3/8-16 x .75
35	532 19 47-32	Secteur denté
45	819 18 38-12	Rondelle 9/16 ID x 2-3/8 OD x 12 Ja.
51	873 94 08-00	Écrou H 1/2-20 unf
53	532 18 89-67	Rondelle .739 x 1.637 x 060
57	532 40 74-65	Support
58	532 19 47-47	Boulon à épaulement
59	532 19 47-48	Rondelle
60	873 97 10-00	Écrou frein 5/8-11
61	532 19 47-40	Barre de direction C.G.
62	532 19 47-41	Barre de direction C.D.
63	817 00 05-12	Vis 5/16-18 x 3/4
64	532 19 98-49	Resort de retenue
66	871 02 07-48	Boulon H 7/16-14 x 3
67	532 19 47-37	Douille
68	873 90 07-00	Écrou frein 7/16-14 cat. 5
69	532 19 91-62	Rondelle 1.5 x .505 x .118
70	532 19 61-97	Support
122	532 44 49-62	Chapeau

**REMARQUE:** Toutes les dimensions de composant sont données en pouces É.-U. --1 pouce = 25,4 mm

**TRACTEUR - NO. DE MODÈLE YTH22K42 (96048005600), NO. DE PRODUIT 960 48 00-56**  
**CARTER DE TONDEUSE**

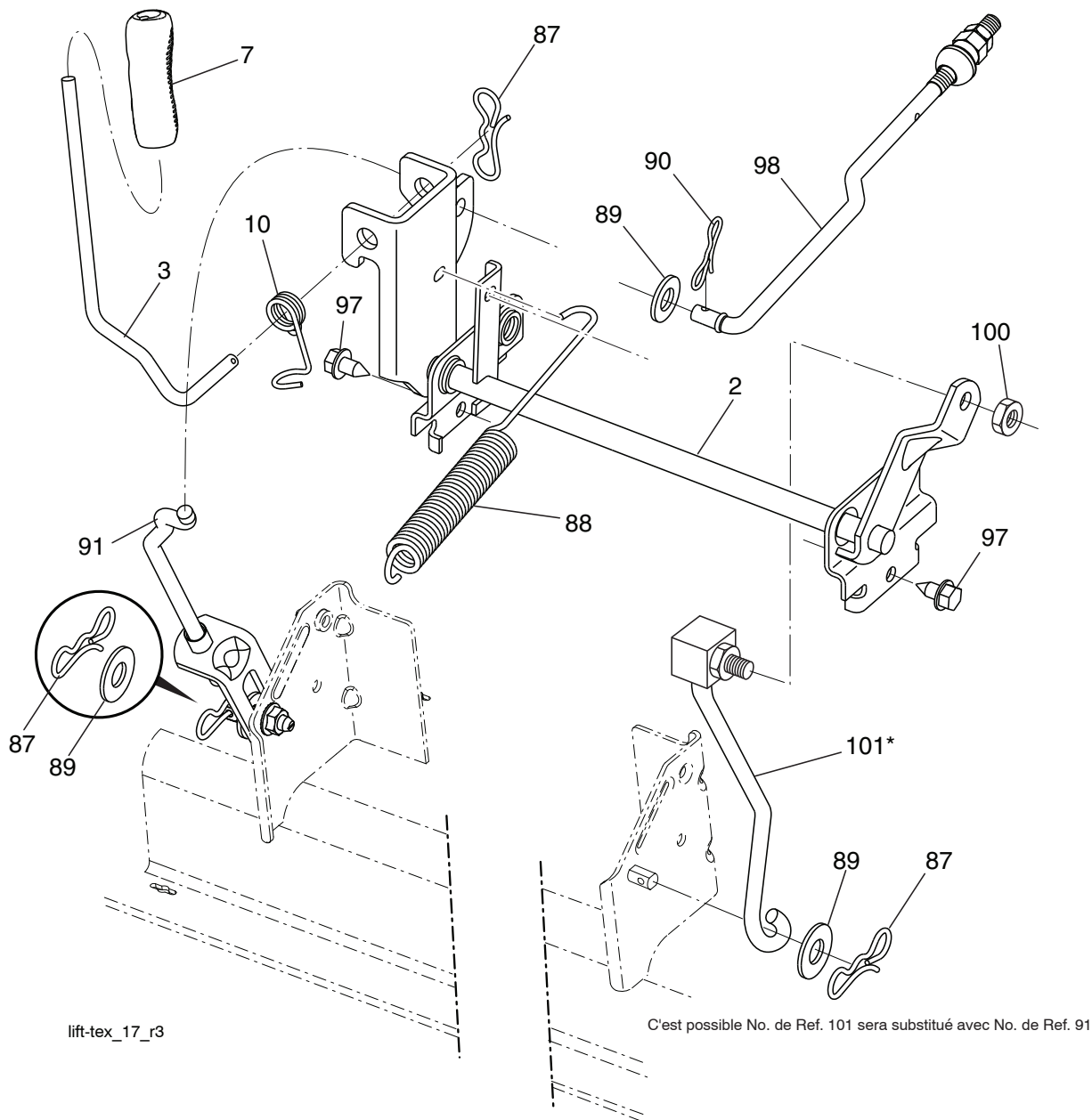


# TRACTEUR - NO. DE MODÈLE YTH22K42 (96048005600), NO. DE PRODUIT 960 48 00-56 CARTER DE TONDEUSE

NO. DE RÉF.	NO DE PIÈCE	DESCRIPTION
1	586 01 33-01	Carter de tondeuse
6	532 19 51-86	Bras de suspension
8	532 19 30-03	Boulon 7/16-20 unf
11	532 13 89-71	Lame
13	532 19 28-72	Ensemble de l'arbre
14	532 18 72-81	Carter du mandrin
15	532 11 04-85	Roulement à billes du mandrin
19	532 19 65-39	Boulon
20	532 15 97-70	Chicane 42
21	873 68 05-00	Écrou
23	532 19 25-57	Support de déflecteur
24	532 10 53-04	Capuchon de manchon
25	532 19 70-26	Ressort de torsion de déflecteur
26	532 11 04-52	Ecrou de poussee
27	532 40 30-04	Déflecteur
29	532 13 14-91	Tige à charnière
30	532 17 39-84	Vis
31	532 18 76-90	Rondelle qui ajoute l'espace
32	532 15 35-35	Poulie de mandrin
33	532 40 02-34	Écrou
34	872 11-06-12	Boulon 3/6-16 x 1-1/2
36	532 19 73-79	Poulie du galet-tendeur
40	873 90-06-00	Écrou 3/8-16 unc
55	532 43 71-10	Bras du galet-tendeur
56	532 19 90-92	Ressort de retenue
57	817 00 06-16	Vis 3/8-16 x 1
59	532 14 10-43	Protecteur du galet-tendeur TUV
62	872 11 06-16	Boulon 3/8-16
68	532 14 49-59	Courroie trapézoïdale
69	872 14 05-05	Boulon
116	532 19 34-06	Boulon
117	532 17 48-73	Roue De Jauge
119	819 13 20-12	Rondelle 13/32 x 1-1/4 x 12 Ja.
145	532 19 31-97	Poulie de galet-tendeur
188	532 19 51-61	Attache
189	873 90 05-00	Écrou
190	532 19 72-51	Ressort
241	532 15 29-27	Vis
242	532 41 55-98	Raccord de lavage du plateau de coupe
254	581 96 75-03	Plaque
255	581 96 76-03	Plaque
256	539 10 98-00	Boulon 1/4-20 x 1 Cat. 5
257	873 90 04-00	Écrou 1/4-20 unc
--	532 41 64-05	Connexion
--	532 19 28-70	Ensemble du mandrin (Inclut boîtier (#14), ensemble arbre (#13), et palier seulement (#15)- poulie/écrou/rondelle et lame, boulon/rondelle ne pas inclut)
--	585 99 53-01	Ensemble du carter de tondeuse complet

**REMARQUE:** Toutes les dimensions de composant sont données en pouces É.-U. --1 pouce = 25,4 mm

**TRACTEUR - NO. DE MODÈLE YTH22K42 (96048005600), NO. DE PRODUIT 960 48 00-56  
LEVAGE DE TONDEUSE**



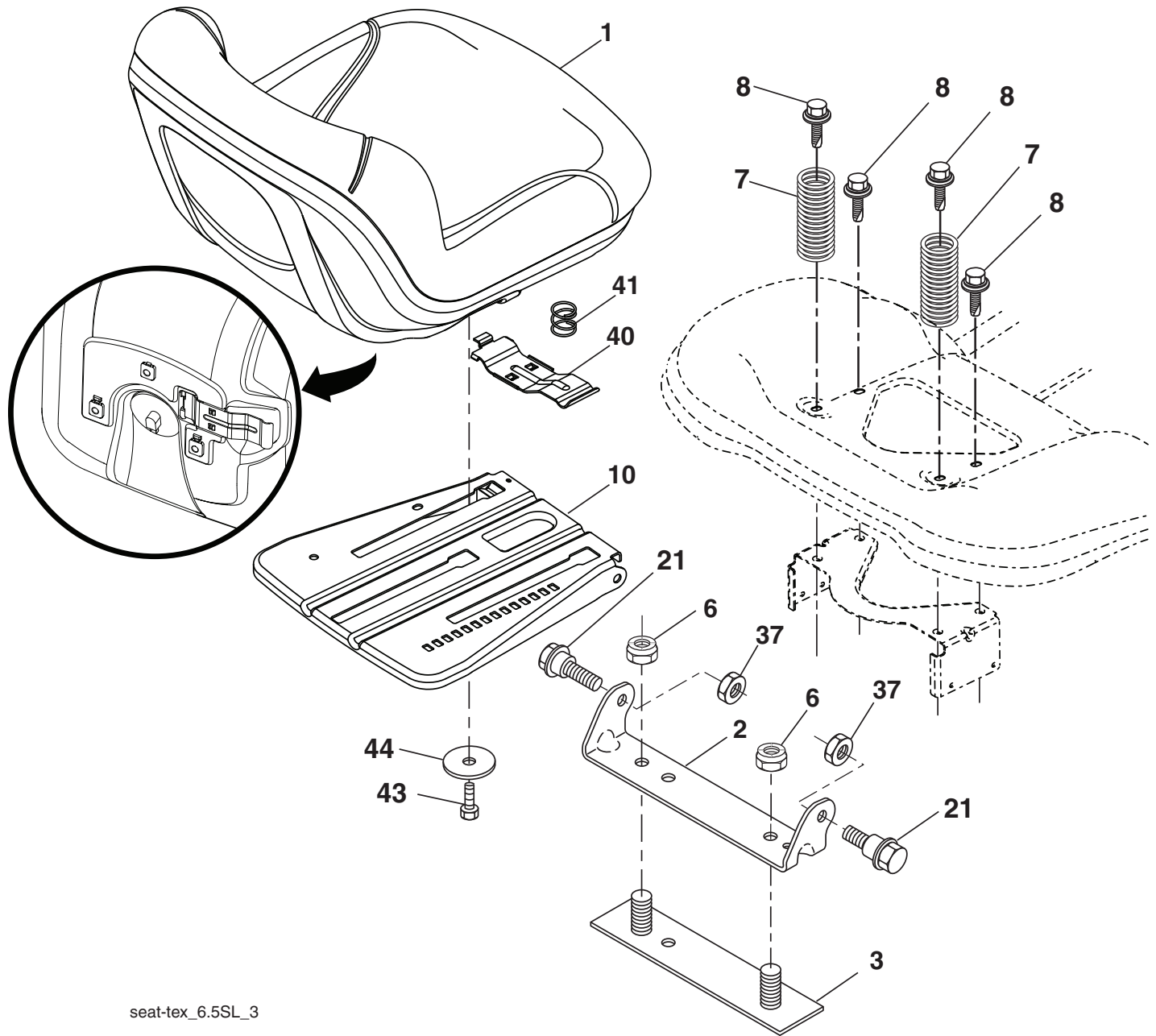
NO. DE RÉF.	NO DE PIÈCE	DESCRIPTION
2	532 42 20-27	Arbre
3	532 19 52-31	Ensemble de l'arbre de levage C.D.
7	580 96 23-01	Poignée du levier
10	532 19 63-14	Ressort de torsion
87	532 19 42-09	Goupille fendue 7/16 frein
88	532 41 07-10	Ressort
89	819 19 19-12	Rondelle
90	532 19 42-08	Goupille fendue 5/16 frein

NO. DE RÉF.	NO DE PIÈCE	DESCRIPTION
91	532 19 51-81	Levage d'accord, suspension arrière
97	817 00 06-12	Vis 3/8-16 x 3/4
98	532 19 52-70	Raccord de levage
100	873 93 06-00	Écrou 3/8-16 unc
101	532 40 70-03	Tige de levage stationnement

**REMARQUE:** Toutes les dimensions de composant sont données en pouces É.-U. --1 pouce = 25,4 mm



**TRACTEUR - NO. DE MODÈLE YTH22K42 (96048005600), NO. DE PRODUIT 960 48 00-56**  
**ENSEMBLE DU SIÈGE**



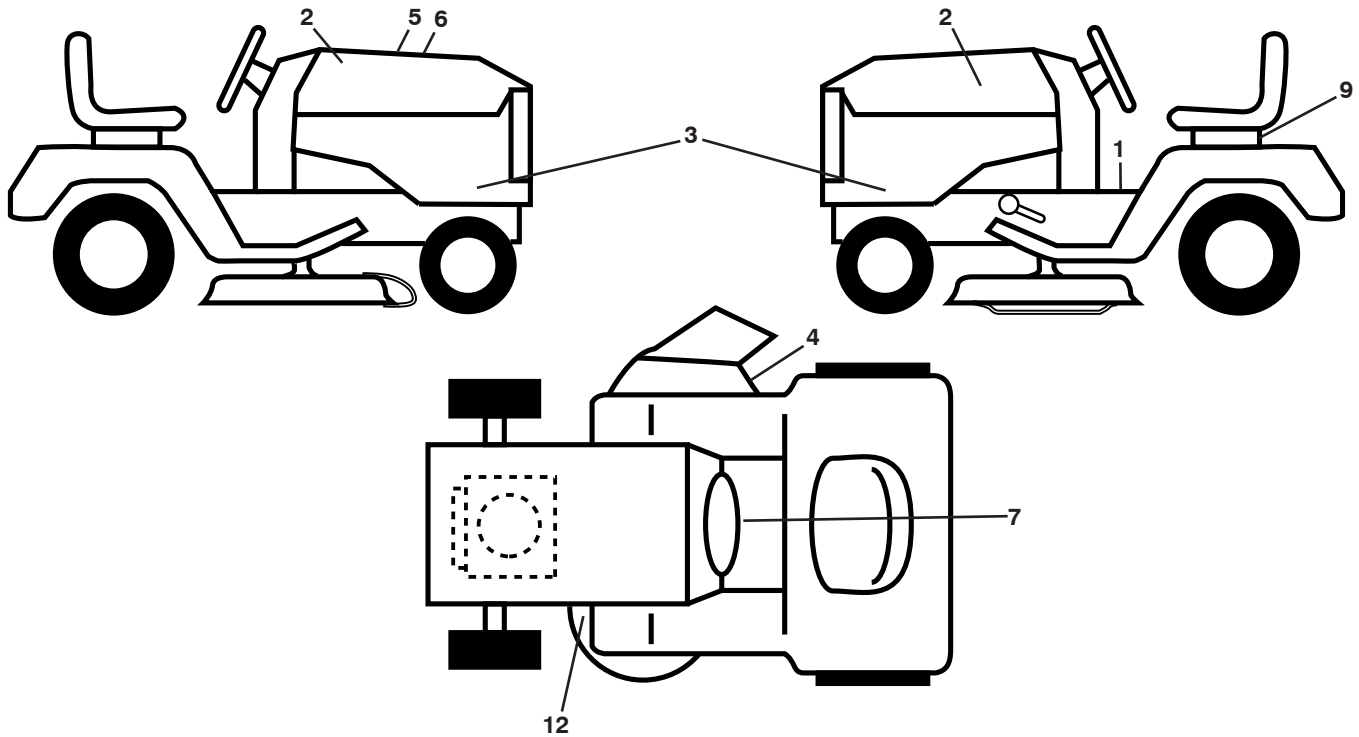
seat-tex\_6.5SL\_3

NO. DE RÉF.	NO DE PIÈCE	DESCRIPTION
1	532 43 98-22	Siège
2	532 18 01-66	Support de pivot
3	532 14 06-75	Attache de l'ensemble de l'aile
6	873 80 06-00	Écrou frein H avec insert 3/8-16 unc
7	532 12 41-81	Ressort de compression du siège 2 250
8	532 17 18-77	Boulon 5/16-18 unc x 3/4 avec Sems
10	532 19 69-77	Cuvette du siège
21	532 17 18-52	Boulon à épaulement 5/16-18 unc

NO. DE RÉF.	NO DE PIÈCE	DESCRIPTION
37	873 80 05-00	Écrou frein H avec insert 5/16-18
40	532 19 76-61	Bouton de Siège
41	532 19 82-00	Ressort du siège
43	874 76 06-12	Boulon 3/8-16 unc x 3/4
44	819 13 38-12	Rondelle 13/32 x 2-3/8 x 12 Ja.

**REMARQUE:** Toutes les dimensions de composant sont données en pouces É.-U. --1 pouce = 25,4 mm

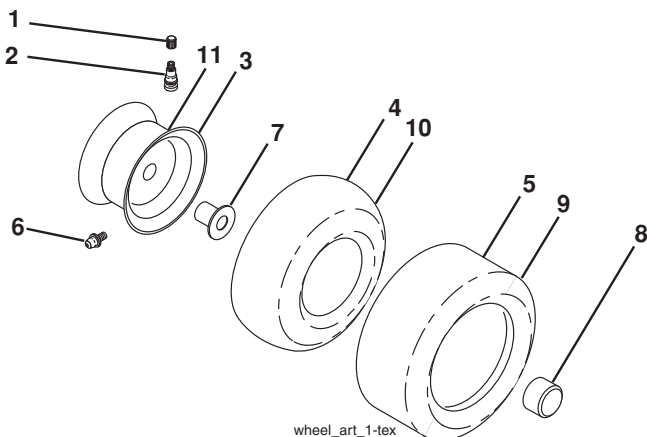
**TRACTEUR - NO. DE MODÈLE YTH22K42 (96048005600), NO. DE PRODUIT 960 48 00-56  
DÉCALCOMANIE**



NO. DE RÉF.	NO DE PIÈCE	DESCRIPTION
1	581 57 90-01	Décalcomanie d'avertissement
2	581 62 73-01	Décalcomanie du capot
3	532 43 95-66	Décalcomanie du capot
4	581 57 95-01	Décalcomanie d'avertissement
5	532 42 38-29	Décalcomanie du responsabilités de client
6	585 79 52-01	Décalcomanie
7	581 57 99-01	Décalcomanie d'avertissement
9	532 14 50-05	Décalcomanie de danger/poison de la batterie

NO. DE RÉF.	NO DE PIÈCE	DESCRIPTION
12	581 58 00-01	Décalcomanie de la courroie rapézoïdale
--	581 72 48-01	Décalcomanie
--	532 43 96-81	Coussin d' repose-pied C.G.
--	532 43 96-82	Coussin d' repose-pied C.D.
--	585 88 00-24	Manuel de l'Opérateur (Anglais/Français)
--	585 88 01-24	Manuel des pièces (Anglais/Français)

**ROUES & PNEUS**



NO. DE RÉF.	NO DE PIÈCE	DESCRIPTION
1	532 05 91-92	Capuchon de la valve du pneu
2	532 06 51-39	Tubulure de la valve
3	532 13 83-36	Ensemble de la jante antérieure de 6"
4	532 05 99-04	Chambre à air antérieure
5	532 10 62-22	Le service de pneu de devant 15x 6-6
6	532 12 49-57	Graisseur (roue antérieure seulement)
7	532 12 49-59	Palier à bride (roue antérieure seulement)
8	532 17 50-39	Chapeau de l'essieu 1 50 x 1 00
9	532 13 84-68	Pneu 20 x8-8
10	532 12 49-26	Chambre à air arrière
11	532 13 83-37	Ensemble de la jante arrière de 8"
--	532 14 43-34	Joint d'étanchéité de pneu (tube de .30L [10 oz. Tube])

**REMARQUE:** Toutes les dimensions de composant sont données en pouces É.-U. --1 pouce = 25,4 mm

---

# **SERVICE NOTES/REMARQUES D'ENTRETIEN**

---

**09/11/2013 BD**