

585 99 49-27



Repair Parts Manual
Manual De Repuestos
YTH22V46 / 96043018500

Please read the operator's manual carefully and make sure you understand the instructions before using the machine.

Por favor lea cuidadosamente y comprenda estas instrucciones antes de usar esta maquina.



English/Spanish

HOW TO USE THIS MANUAL

This manual is designed to provide the customer with a means to identify the parts on his/her tractor when ordering repair parts. The illustrations may or may not represent the actual assemblies; therefore, it is not recommended to use this manual as a guide to assemble or disassemble the tractor. Some hardware and parts are drawn larger in order to more readily identify them.

Each tractor has its own model number.

The model number for your tractor can be found on the fender under the seat.

When ordering parts, always give the following information:

- Product - "TRACTOR"
- MODEL NUMBER - "YTH22V46" (96043018500)"
- Part Number
- Part Description

TABLE OF CONTENTS

SCHEMATIC	3
ELECTRICAL.....	4-5
CHASSIS	6-7
DRIVE.....	8-9
ENGINE.....	10-11
STEERING	12-13
MOWER DECK.....	14-15
MOWER LIFT.....	16
SEAT	17
DECALS.....	18

COMO UTILIZAR ESTE MANUAL

Este manual está diseñado para brindarle al comprador un medio para identificar las piezas del tractor para cuando necesite hacer el pedido de un repuesto. Las ilustraciones pueden o no representar los ensambles reales; por lo tanto, no se recomienda utilizar este manual como una guía para ensamblar o desarmar el tractor. Algunos accesorios y piezas están dibujados en tamaños más grandes para identificarlos con mayor facilidad.

Cada tractor tiene su propio número de modelo.

El número de modelo del tractor se encuentra en el guardabarros debajo del asiento.

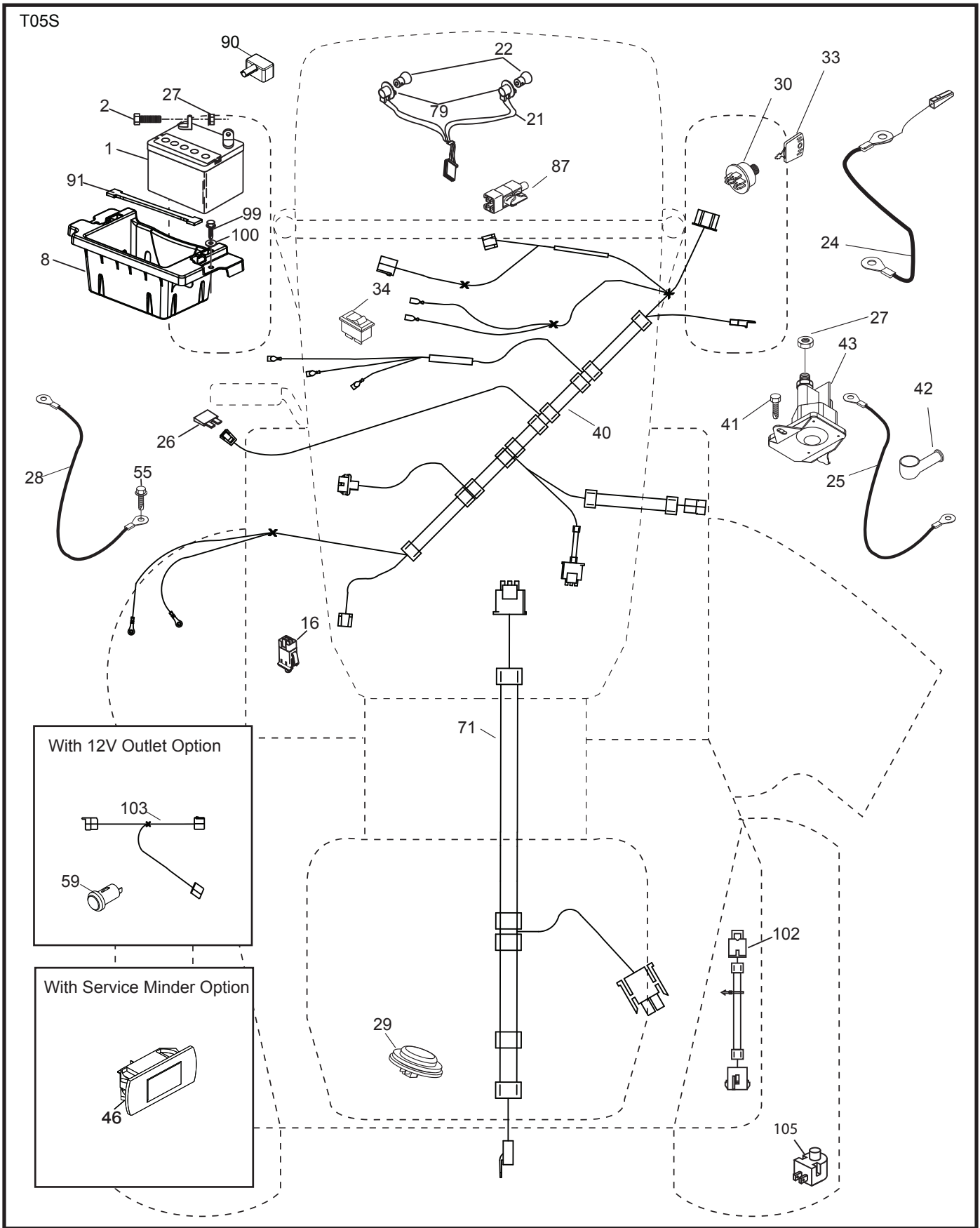
Cuando haga el pedido de una pieza, siempre brinde la siguiente información:

- Producto: "TRACTOR"
- NÚMERO DE MODELO: "YTH22V46" (96043018500)"
- Número de pieza
- Descripción de la pieza

ÍNDICE

DIAGRAMA.....	19
DIAGRAMA ELÉCTRICO	20-21
CHASIS.....	22-23
TRANSMISIÓN	24-25
MOTOR.....	26-27
DIRECCIÓN	28-29
PLATAFORMA DE LA CORTADORA DE CÉSPED.....	30-31
ELEVACIÓN DE LA CORTADORA DE CÉSPED.....	32
ASIENTO.....	33
CALCOMANÍAS.....	34

**TRACTOR - - MODEL NUMBER YTH22V46 (96043018500), PRODUCT NO. 960 43 01-85
ELECTRICAL**



**TRACTOR - - MODEL NUMBER YTH22V46 (96043018500), PRODUCT NO. 960 43 01-85
ELECTRICAL**

KEY NO.	PART NO.	DESCRIPTION
1	532 16 34-65	Battery
2	874 76 04-12	Bolt Hex Head 1/4-20 x 3/4
8	532 41 41-26	Box Battery
16	532 17 61-38	Switch Interlock Push-In
21	532 40 02-52	Harness Socket Light w/4152J
22	532 00 41-52	Bulb Light
24	532 40 02-53	Cable Btry
25	585 55 55-01	Cable Starter
26	532 17 51-58	Fuse
27	873 51 04-00	Nut Keps Hex 1/4-20 unc
28	532 14 54-91	Cable, Ground
29	532 40 15-45	Switch, Seat
30	532 19 33-50	Switch, Ign
33	532 41 19-33	Key/Chain
34	532 11 07-12	Switch Light/Reset
40	532 40 10-98	Harness Ign. Dash
41	817 72 04-08	Screw Thd Cut 1/4-20 x 1/2
42	532 13 15-63	Cover, Terminal
43	532 19 25-07	Solenoid
46	532 40 17-63	Gauge Serviceminder Hrmtr
55	817 06 05-12	Screw Thdrol 5/16-18 x 3/4 TYTT
71	532 19 42-76	Harness Ign. Chassis
79	532 17 52-42	Socket Asm. Bulb
87	532 19 78-02	Switch Interlock
90	532 43 53-95	Cover Terminal
91	532 19 02-70	Battery Strap
99	817 67 04-12	Screw 1/4-20 x 3/4
100	819 09 14-16	Washer 9/32 x 7/8 x 16 Ga.
102	532 40 44-54	Harness Pigtail
105	532 40 75-68	Switch Reverse

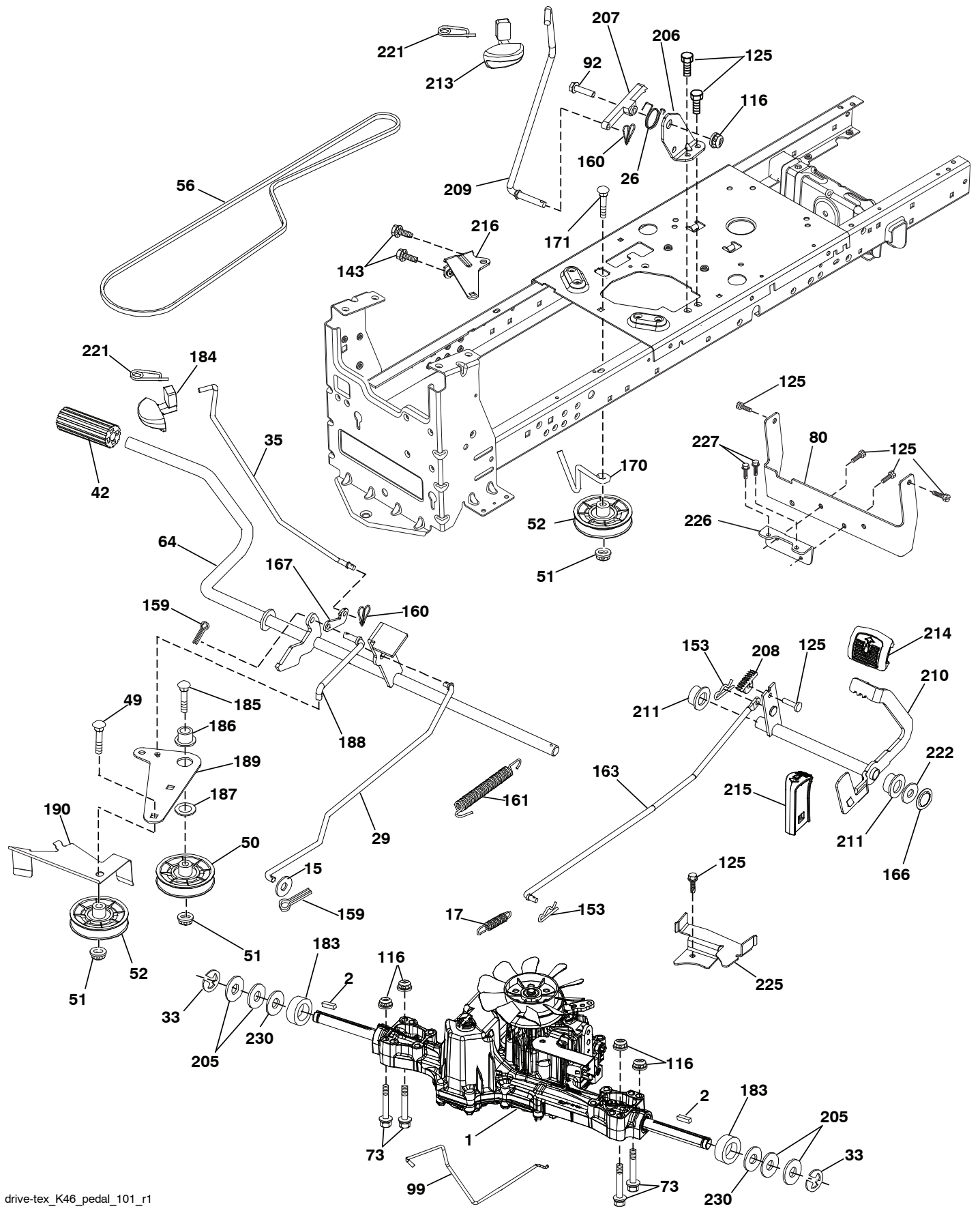
NOTE: All component dimensions given in U.S. inches
1 inch = 25.4 mm

**TRACTOR - - MODEL NUMBER YTH22V46 (96043018500), PRODUCT NO. 960 43 01-85
CHASSIS**

KEY NO.	PART NO.	DESCRIPTION	KEY NO.	PART NO.	DESCRIPTION
3	532 44 44-81	Applique Sub Asm.	194	873 90 05-00	Nut Lock Hex Flange 5/16-18
5	581 46 69-01	Dash	195	532 40 41-37	Plug Hole Dash Lower
14	532 44 11-77	Hood	196	532 43 96-47	Console Asm. Deck Lift
15	532 43 97-33	Lens LH	198	532 44 15-52	Indicator Deck Lift
18	532 44 06-53	Grille	199	532 41 34-85	Deck Lift Plate
25	532 44 33-85	Lens RH	202	532 43 97-28	Vent Side Hood RH
34	580 91 08-01	Plate Engine	203	532 43 97-27	Vent Side Hood LH
36	817 06 05-12	Screw 5/16-18 x 3/4	204	532 43 57-14	Vent Top Hood
37	532 44 12-69	Fender	205	532 43 97-30	Trim Hood Side RH
52	873 68 05-00	Nut Lock 5/16-18	206	532 43 97-29	Trim Hood Side LH
68	817 49 05-08	Screw Thdrol 5/16-18 x 1/2	207	532 43 97-34	Bezel RH
125	581 68 48-01	Clip Fuel Line	208	532 43 97-35	Bezel LH
130	532 41 63-58	Screw #10 x 0.750	213	874 76 05-12	Bolt 5/16-18 x 3/4
137	532 40 75-90	Bumper Dash	214	532 19 91-45	Clip Retainer Tinner
138	532 43 97-47	Cupholder	217	532 40 91-67	Rod Pivot
146	581 85 79-01	Bolt	218	532 19 63-95	X-Piece Hood Stop
150	532 43 97-74	Air Duct	228	532 19 51-61	Stud Fastner
151	532 43 66-70	Bracket Pivot	234	532 40 47-42	Bumper Hood
152	532 43 98-70	Shield Browning	235	532 40 61-29	Spacer Fender
159	817 00 06-12	Screw Hex wsh Thdr. 3/8-16 x 3/4	236	873 93 05-00	Nut Lock 5/16-18 unc
161	532 43 97-81	Fuel Window	287	817 60 04-06	Screw 1/4-20 x 3/8
162	532 14 24-32	Screw	297	532 43 74-56	Insert Reflective LH
165	532 19 68-26	Support Tank	306	873 90 06-00	Nut Lock
175	532 19 63-04	Crossmember	335	532 44 82-04	Cover RH Lower Close Out
176	532 40 07-76	Screw 10-24 x 5/8	336	532 44 53-09	Cover LH Lower Close Out
177	532 19 52-27	Bushing Steering	350	532 44 51-43	Clip Xmas Tree
180	532 19 54-57	Chassis			
181	532 43 97-46	Bushing Mtg. Fender Crgo			
182	532 40 68-59	Dash Lower			
183	874 52 05-20	Bolt 5/16-18 x 1-1/4			
191	532 43 74-55	Insert Reflective RH			

NOTE: All component dimensions given in U.S. inches
1 inch = 25.4 mm

TRACTOR - - MODEL NUMBER YTH22V46 (96043018500), PRODUCT NO. 960 43 01-85
DRIVE

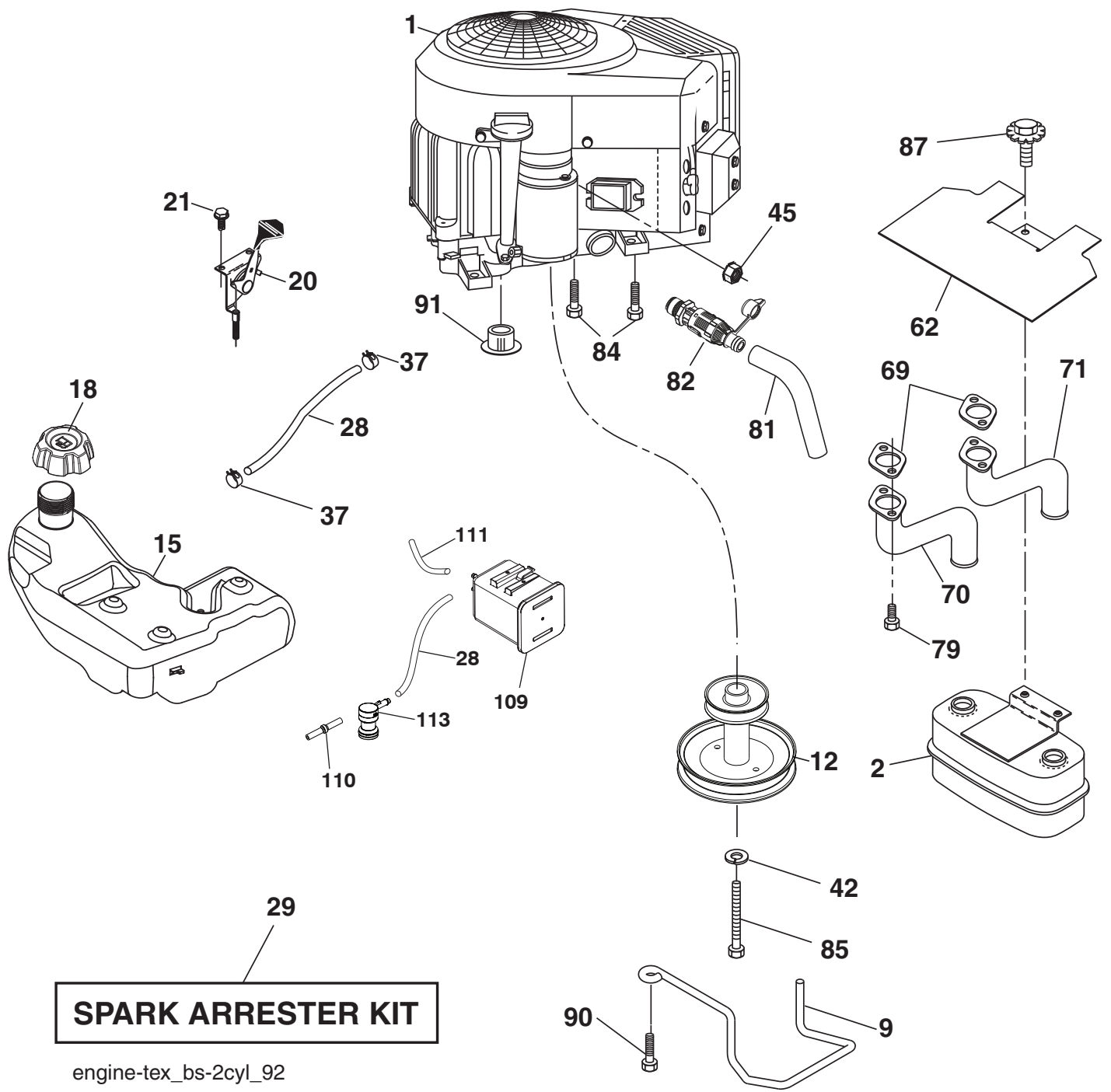


**TRACTOR - - MODEL NUMBER YTH22V46 (96043018500), PRODUCT NO. 960 43 01-85
DRIVE**

KEY NO.	PART NO.	DESCRIPTION	KEY NO.	PART NO.	DESCRIPTION
1	---	Transaxle, TUFFTORQ K46BT (426120) (Order parts from trans-axle manufacturer.)	170	532 19 43-22	Keeper V-Idler
2	532 12 35-83	Key Square	171	872 11 06-16	Bolt 3/8-16 unc x 2
15	819 13 13-16	Washer 13/32 x 13/16 x 16 Ga.	183	532 13 70-57	Spacer Axle
17	532 41 36-78	Spring, Brake	184	532 44 14-55	Handle Parking Brake
26	532 19 96-79	Spring Return Cruise	185	872 11 06-22	Bolt
29	532 40 38-06	Rod, Brake	186	532 19 43-21	Spacer Retainer
33	812 00 00-01	Ring E	187	819 13 32-10	Washer
35	583 86 45-01	Rod, Brake, Park	188	532 19 43-23	Link Clutch Ground Drive
42	532 12 48-72	Cover, Foot Pedal	189	532 19 43-17	Bellcrank Ground Drive
49	872 11 06-14	Bolt	190	532 19 43-18	Keeper Bellcrank Ground Drive
50	532 19 43-27	Pulley Idler Flat	205	532 12 17-48	Washer 25/32 x 1-5/8 x 16 Ga.
51	873 90 06-00	Lock Nut 3/8-16	206	532 44 85-96	Bracket Mount Latch Cruise
52	532 19 43-26	Idler V-Groove	207	532 19 78-68	Latch Control Cruise
56	532 13 09-69	V-Belt, Drive	208	532 19 78-69	Gear Sector Control Cruise
64	532 19 78-65	Shaft Asm. Pedal Brake Control	209	532 19 95-92	Rod Control Cruise
73	874 49 05-40	Bolt Hex 5/16-18 x 2 1/2 G.5	210	532 40 09-80	Rocker Asm. Pedal Control
80	532 44 06-19	Strap Torque	211	532 12 01-83	Bearing Nylon
92	874 76 05-20	Bolt Fin Hex 5/16-18 unc x 1.25	213	532 40 31-19	Knob Control Cruise
99	532 41 57-42	Rod Spring Bypass	214	532 42 12-63	Pedal Forward
116	873 90 05-00	Nut Lock Hex Flange 5/16-18	215	532 40 17-23	Pedal Reverse
125	817 00 05-12	Screw 5/16-18 x 3/4	216	532 19 61-31	Bracket Pulley Idler
143	817 49 05-08	Screw 5/16-18 x 1/2	221	532 40 31-87	Retainer Spring Clip Handle
153	532 12 47-88	Retainer Spring 1"	222	879 21 20-10	Washer 21/32 x 1-1/4 10 Ga.
159	876 02 04-12	Pin Cotter 1/8 x 3/4	225	532 40 33-19	Keeper Belt Transaxle
160	532 16 94-84	Retainer Clip	226	532 40 15-64	Bracket Strap Torque
161	532 10 57-09	Spring, Return, Clutch	227	817 49 05-12	Screw 5/16-18 x 3/4
163	532 44 82-75	Rod Control	230	532 18 89-67	Washer .793 x 1.637 x 060
166	532 42 91-64	Nut Push			
167	532 40 52-57	Latch Brake Parking			

NOTE: All component dimensions given in U.S. inches
1 inch = 25.4 mm

TRACTOR - - MODEL NUMBER YTH22V46 (96043018500), PRODUCT NO. 960 43 01-85
ENGINE



**TRACTOR - - MODEL NUMBER YTH22V46 (96043018500), PRODUCT NO. 960 43 01-85
ENGINE**

KEY NO.	PART NO.	DESCRIPTION
1	- - - - -	Engine B&S Model No. 44R677-0014-G1 (585925901) (Order parts from engine manufacturer.)
2	532 44 59-62	Muffler
9	584 90 80-01	Keeper Belt Engine
12	532 40 54-72	Pulley Engine
15	532 41 41-51	Tank Fuel
18	532 43 92-08	Cap Asm
20	532 42 35-02	Control Throttle
21	532 41 63-58	Screw # 10 x 0.750
28	532 40 11-35	Fuel Line
29	532 13 71-80	Spark Arrester Kit
37	532 12 34-87	Clamp Hose
42	810 04 07-00	Washer Lock 7/16
45	873 51 04-00	Nut Keps Hex 1/4-20 unc
62	532 43 40-17	Shield Heat
69	532 16 53-91	Gasket
70	581 88 11-01	Exhaust Tube LH
71	581 88 10-01	Exhaust Tube RH
79	532 18 39-06	Screw Socket Hd. 5/16-18 x 1
81	532 14 84-56	Tube Drain Oil Easy
82	532 42 82-87	Valve Oil Drain
84	817 06 06-20	Screw 3/8-16 x 1-1/4
85	532 17 39-37	Bolt Hex 7/16-20 x 4 x Gr. 5-1.5 Thr
87	537 17 18-77	Bolt 5/16-18 unc x 3/4 w/Sems
90	817 00 06-16	Screw 3/8-16 x 1
91	532 18 74-95	Bushing
109	532 41 41-14	Carbon Canister
110	532 41 41-18	Anti-Slosh Valve
111	532 42 07-18	Purge Line
113	532 41 41-27	Valve Slant

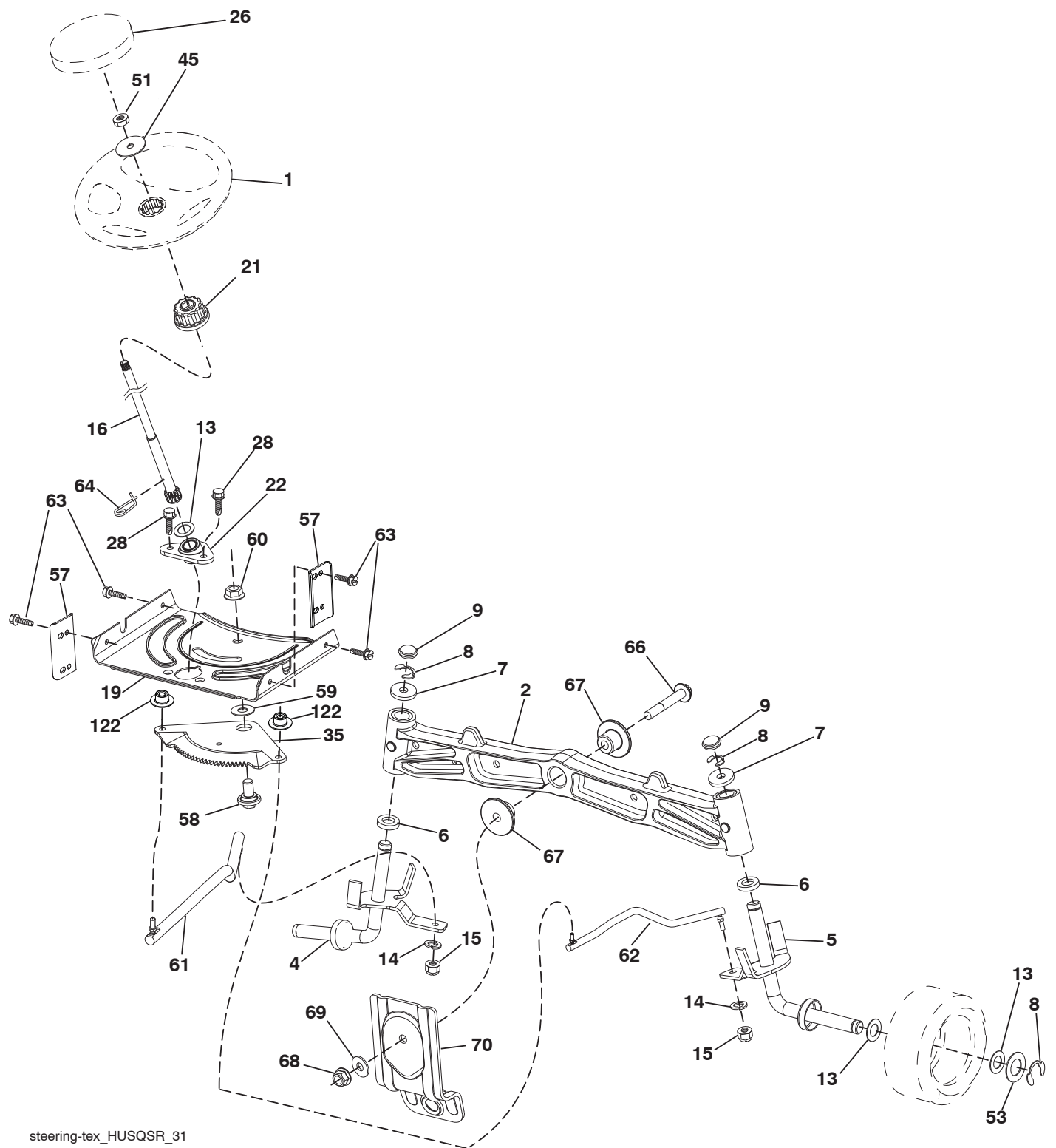
NOTE: All component dimensions given in U.S. inches
1 inch = 25.4 mm
For engine service and replacement parts, call the toll free number for your engine manufacturer listed below:

Briggs & Stratton 1-800-233-3723

Engine Power Rating Information

The gross power rating for individual gas engine models is labeled in accordance with SAE (Society of Automotive Engineers) code J1940 (Small Engine Power & Torque Rating Procedure), and rating performance has been obtained and corrected in accordance with SAE J1995 (Revision 2002-05). Torque values are derived at 3060 RPM; horsepower values are derived at 3600 RPM. Actual gross engine power will be lower and is affected by, among other things, ambient operating conditions and engine-to-engine variability. Given both the wide array of products on which engines are placed and the variety of environmental issues applicable to operating the equipment, the gas engine will not develop the rated gross power when used in a given piece of power equipment (actual "on-site" or net power). This difference is due to a variety of factors including, but not limited to, accessories (air cleaner, exhaust, charging, cooling, carburetor, fuel pump, etc.), application limitations, ambient operating conditions (temperature, humidity, altitude), and engine-to-engine variability. Due to manufacturing and capacity limitations, Briggs & Stratton may substitute an engine of higher rated power for this Series engine.

TRACTOR - - MODEL NUMBER YTH22V46 (96043018500), PRODUCT NO. 960 43 01-85
STEERING ASSEMBLY



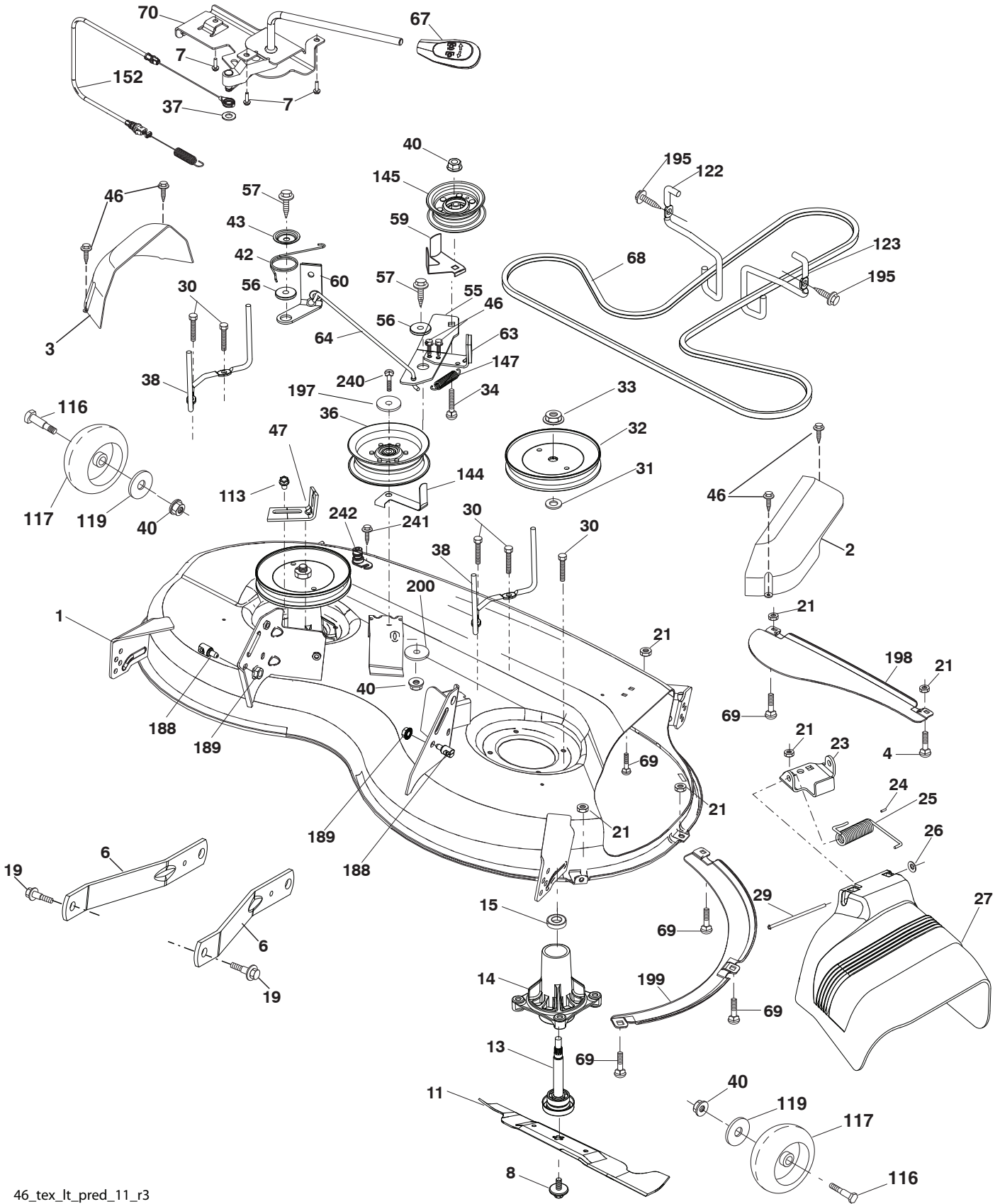
steering-tex_HUSQSR_31

**TRACTOR - - MODEL NUMBER YTH22V46 (96043018500), PRODUCT NO. 960 43 01-85
STEERING ASSEMBLY**

KEY NO.	PART NO.	DESCRIPTION
1	532 43 97-40	Wheel, Steering
2	532 19 59-68	Axle Cast Iron
4	532 40 30-87	Spindle Asm., LH
5	532 40 30-88	Spindle Asm., RH
6	532 12 49-31	Washer, Thrust
7	532 12 17-48	Washer 25/32 x 1-5/8 x 16 Ga.
8	812 00 00-29	Ring, Klip #T5304-75
9	532 12 12-32	Cap, Spindle
13	532 12 17-49	Washer 25/32 x 1-1/4 x 16 Ga.
14	810 04 06-00	Washer, Lock Hvy Hlcl Spr 3/8
15	873 54 06-00	Nut, Crown Lock 3/8-24 unf
16	532 40 82-19	Shaft Steering
19	532 19 47-29	Plate Steering
21	532 18 67-37	Adapter, Wheel Steering
22	532 42 05-37	Steering Support
26	532 43 97-43	Insert, Wheel Steering
28	817 00 06-12	Screw 3/8-16 x 3/4
35	532 19 47-32	Gear, Sector Plate
45	819 18 38-12	Washer 9/16 ID x 2-3/8 OD 12 Ga.
51	873 94 08-00	Nut Hex Jam Toplock 1/2-20 unf
53	532 18 89-67	Washer Hardened .793 x 1.637 x .060
57	532 40 74-65	Bracket Upstop
58	532 19 47-47	Bolt Shoulder Sector Pivot CFM
59	532 19 47-48	Washer Thrust Sector Steering
60	873 97 10-00	Nut Flange Lock 5/8-11
61	532 19 47-40	Draglink, LH
62	532 19 47-41	Draglink, RH
63	817 00 05-12	Screw 5/16-18 x 3/4
64	532 19 98-49	Retainer Clip Spring Steering
66	871 02 07-48	Bolt Hex Fghd 7/16-14 x 3 Serr
67	532 19 47-37	Bushing PM Front Axle
68	873 90 07-00	Nut Lock Flange 7/16-14 Gr. 5
69	532 19 91-62	Washer 1.5 x .505 x .118
70	532 19 61-97	Bracket Deck Susp. Front
122	532 44 49-62	Cap Gear Sector

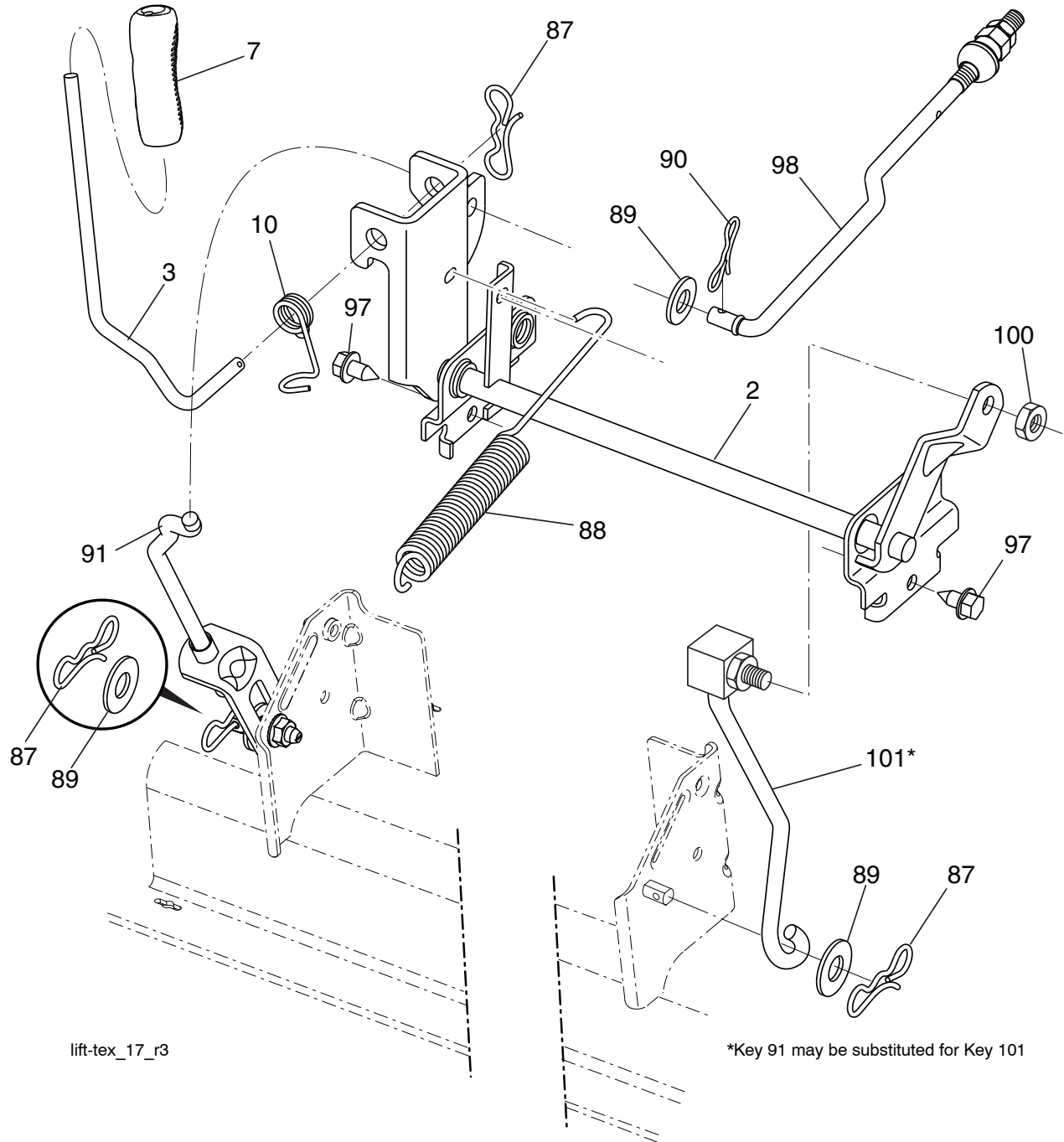
NOTE: All component dimensions given in U.S. inches
1 inch = 25.4 mm

TRACTOR - - MODEL NUMBER YTH22V46 (96043018500), PRODUCT NO. 960 43 01-85
MOWER DECK



46_tex_lt_pred_11_r3

**TRACTOR - - MODEL NUMBER YTH22V46 (96043018500), PRODUCT NO. 960 43 01-85
MOWER LIFT**



lift-tex_17_r3

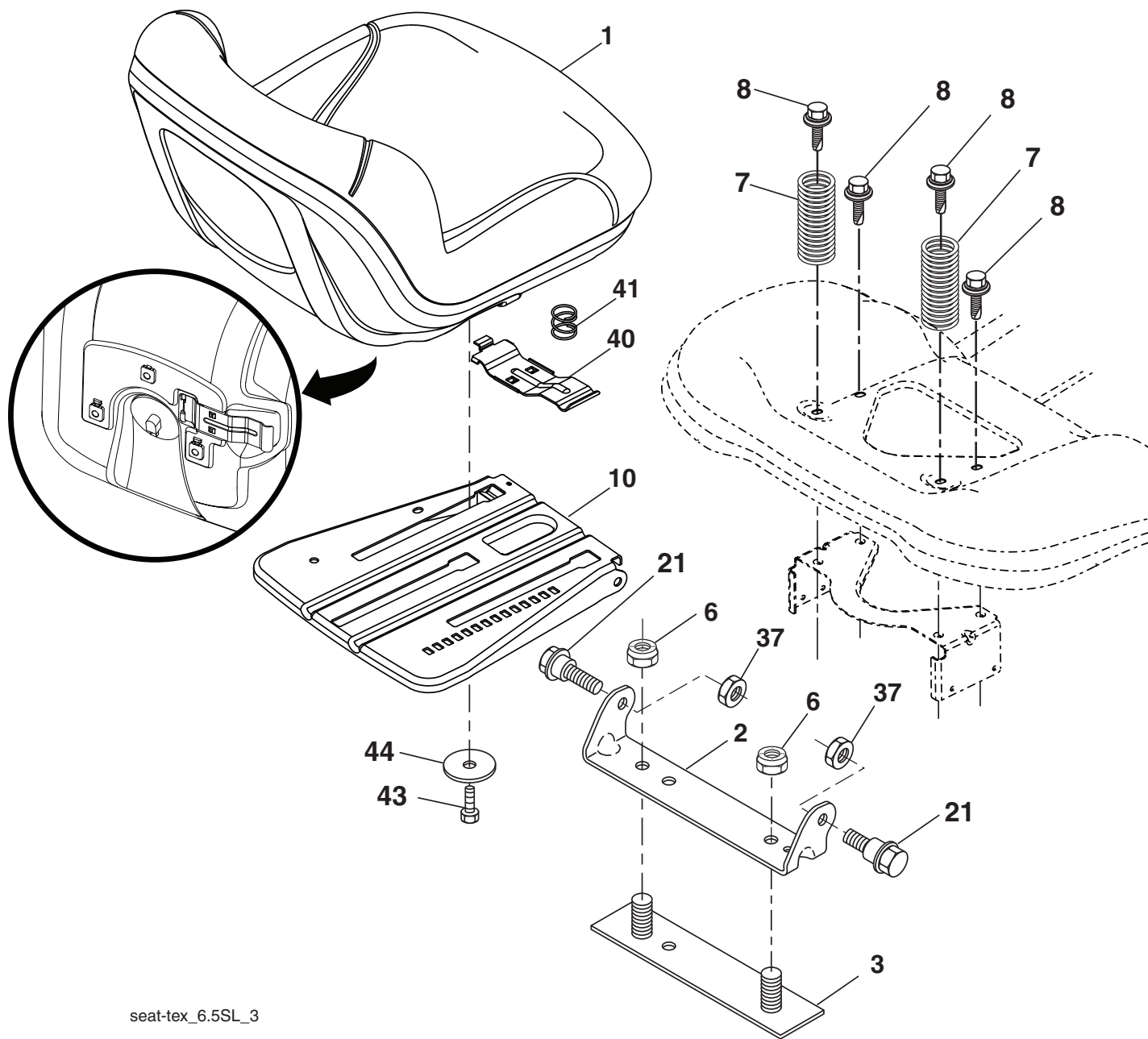
*Key 91 may be substituted for Key 101

KEY NO.	PART NO.	DESCRIPTION
2	532 42 20-27	Shaft Asm., Lift
3	532 19 52-31	Lever Asm., Lift RH
7	580 96 23-01	Grip, Lever
10	532 19 63-14	Spring Torsion
87	532 19 42-09	Pin Cotter 7/16 Bow Tie Lock
88	532 41 07-10	Spring Lift Assist
89	819 19 19-12	Washer Clear Zinc
90	532 19 42-08	Pin Cotter 5/16 Bow Tie Lock
91	532 19 51-81	Link Lift Susp Mower Rear

KEY NO.	PART NO.	DESCRIPTION
97	817 00 06-12	Screw 3/8-16 x .75 Smgml Tap/R.Z
98	532 19 52-70	Link Lift Susp. Front Mower
100	873 93 06-00	Nut Center Lock 3/8-16 unc
101	532 40 70-03	Link Asm Lift Fixed

NOTE: All component dimensions given in U.S. inches
1 inch = 25.4 mm

**TRACTOR - - MODEL NUMBER YTH22V46 (96043018500), PRODUCT NO. 960 43 01-85
SEAT ASSEMBLY**



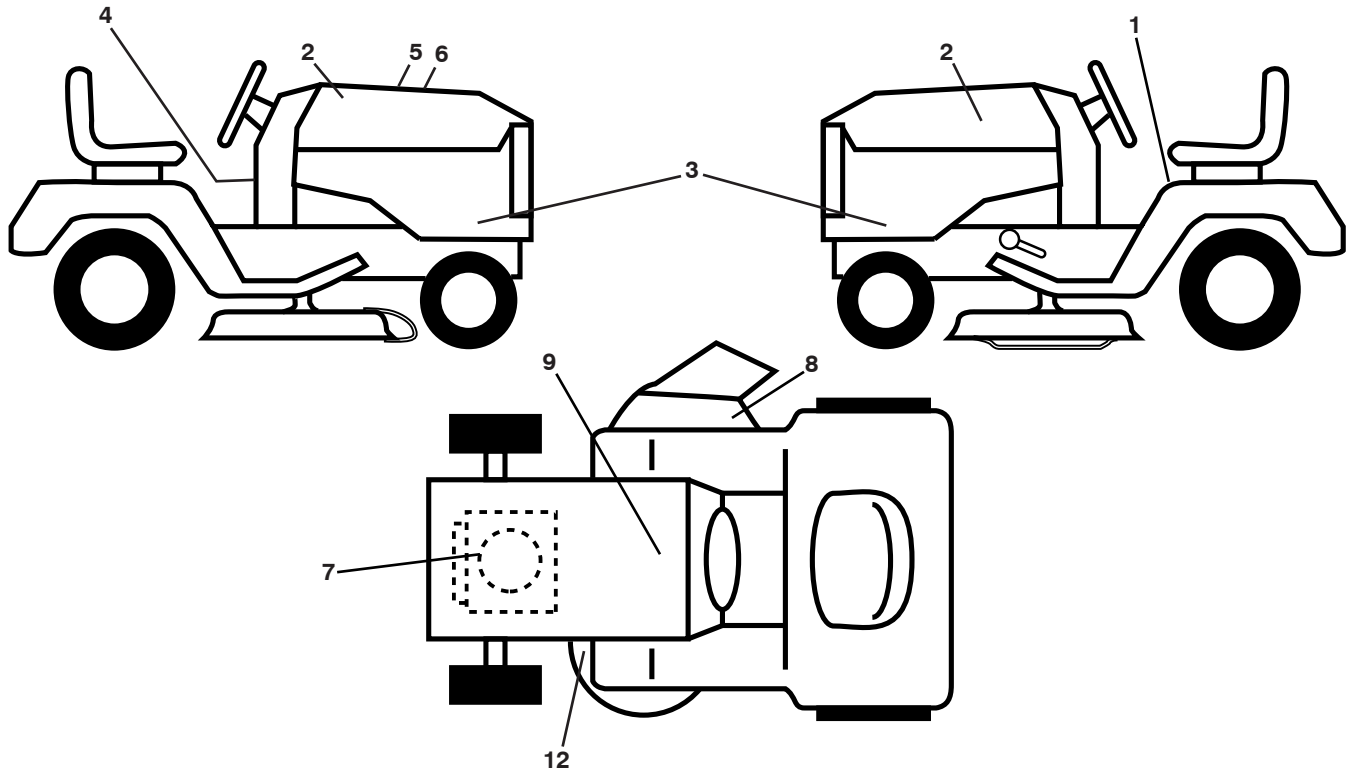
seat-tex_6.5SL_3

KEY NO.	PART NO.	DESCRIPTION
1	532 43 98-22	Seat
2	532 18 01-66	Bracket Pivot Fender
3	532 14 06-75	Strap, Asm Fender
6	873 80 06-00	Nut, Lock w/Ins. 3/8-16 unc
7	532 12 41-81	Spring, Seat Cprsn
8	532 17 18-77	Bolt 5/16-18 unc x 3/4 w/Sems
10	532 19 69-77	Pan, Seat
21	532 17 18-52	Bolt, Shoulder 5/16-18

KEY NO.	PART NO.	DESCRIPTION
37	873 80 05-00	Nut, Lock 5/16-18 unc
40	532 19 76-61	Handle Slide Seat
41	532 19 82-00	Spring Latch Seat
43	874 76 06-12	Bolt Fin Hex 3/8-16 unc x 3/4
44	819 13 38-12	Washer 13/32 x 2-3/8 x 12 Ga.

NOTE: All component dimensions given in U.S. inches
1 inch = 25.4 mm

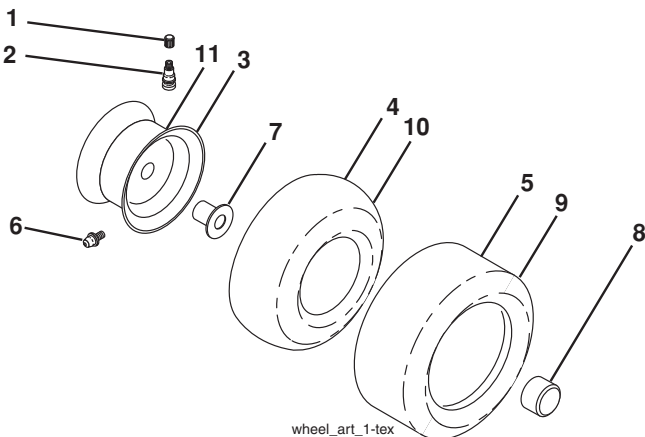
**TRACTOR - - MODEL NUMBER YTH22V46 (96043018500), PRODUCT NO. 960 43 01-85
DECALS**



KEY NO.	PART NO.	DESCRIPTION
1	581 57 89-01	Decal, Fender Warning
2	581 62 73-01	Decal, Hood
3	581 59 42-01	Decal, Hood Panel SD
4	532 42 41-02	Decal, Warning Spark Arrestor
5	532 42 38-29	Decal, Customer Respons.
6	585 92 64-01	Decal, Replacement
7	581 25 85-01	Decal, Engine H.P.
8	581 57 95-01	Decal, Mower Keep Hand Away

KEY NO.	PART NO.	DESCRIPTION
9	532 14 50-05	Decal, Battery Dnge/Poi
12	581 58 00-01	Decal, Mower V-Belt Schematic
--	581 72 48-01	Decal, Bypass
--	532 43 96-81	Pad, Footrest, LH
--	532 43 96-82	Pad, Footrest, RH
--	585 99 49-96	Manual, Operator's (Eng/Span)
--	585 99 49-27	Manual, Parts (Eng/Span)

WHEELS AND TIRES

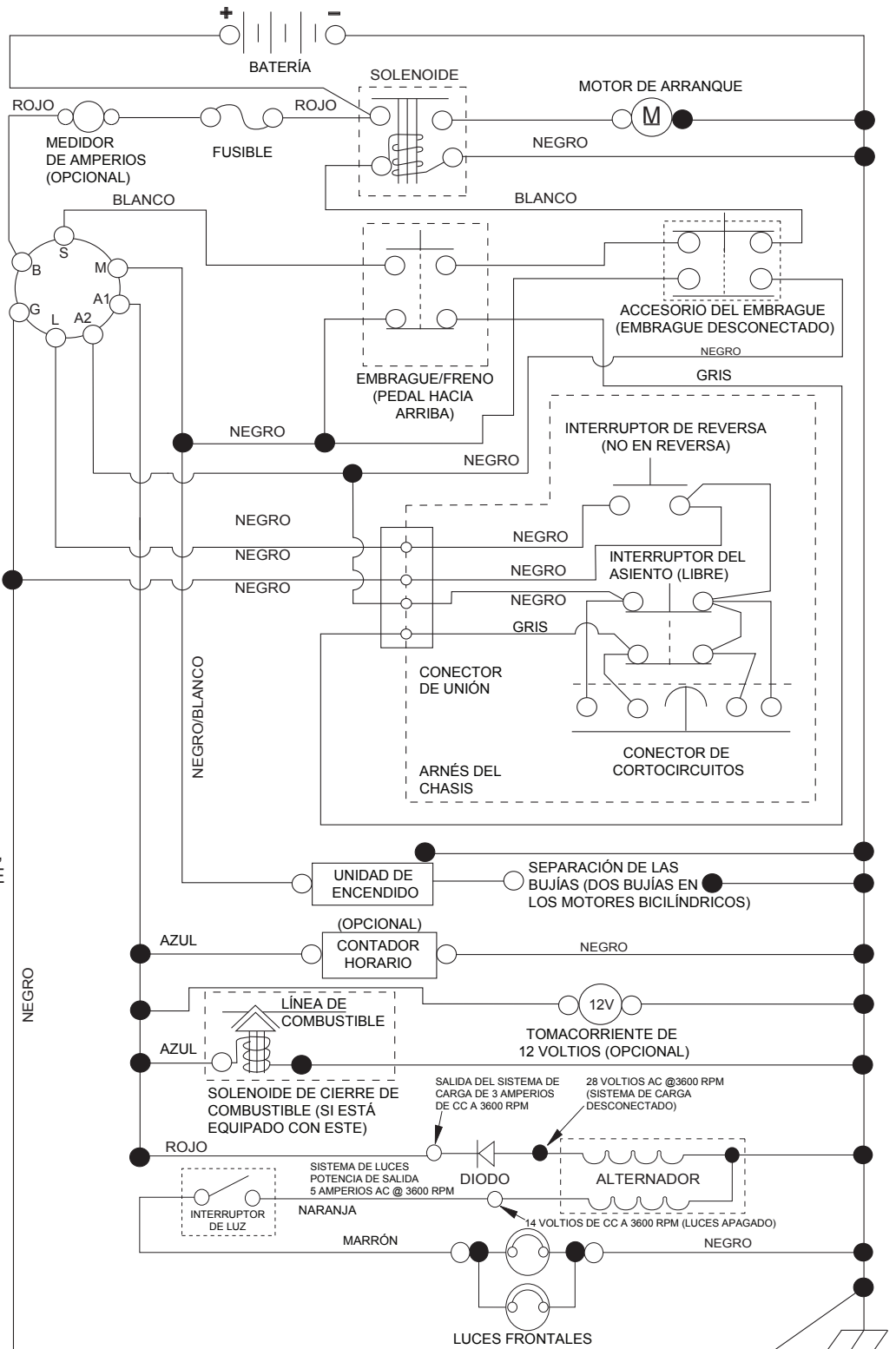


KEY NO.	PART NO.	DESCRIPTION
1	532 05 91-92	Cap Valve Tire
2	532 06 51-39	Stem Valve
3	532 13 83-36	Rim Front 15 x 6-6
4	532 05 99-04	Tube Front (Service Item Only)
5	532 10 62-22	Tire Front 15 x 6.0-6
6	532 12 49-57	Fitting Grease (Front Wheel Only)
7	532 12 49-59	Bearing Flange (Front Wheel Only)
8	532 17 50-39	Cap Axle Blk 1 50 x 1 00
9	532 13 84-68	Tire Rear 20 x 8-8
10	532 12 49-26	Tube Rear (Service Item Only)
11	532 13 83-37	Rim Asm 8" Rear
--	532 14 43-34	Sealant, Tire (10 oz. Tube)

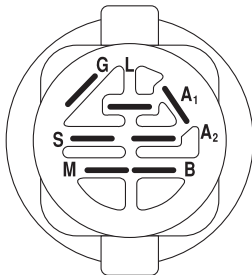
NOTE: All component dimensions given in U.S. inches
1 inch = 25.4 mm

TRACTOR MODELO NO. YTH22V46 (96043018500), PRODUCTO NO. 960 43 01-85 DIAGRAMA

SCH11-s

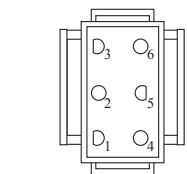


NOTAS:
QUE SU TRACTOR ES EQUIPADO CON UN SISTEMA ESPECIAL DE ALTERNADOR. LAS LUCES NO SON CONECTADAS A LA BATERIA, PERO TIENEN SU PROPIA FUENTE ELECTRICA. A CAUSA DE ESTO, EL BRILLO DE LAS LUCES CAMBIARA CON LA VELOCIDAD DE MOTOR. EN LENTO, LAS LUCES NO SON COMO BRILLANTES. CUANDO EL MOTOR ES ACELERADO, LA LUZ CONSEGUIRÁ MÁS BRILLANTE.

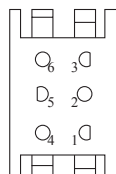


INTERRUPTOR DE ENCENDIDO

POSICIÓN	CIRCUITO «MARCA»
APAGADO	M+G+A1
PONER EN FUNCIONAMIENTO/ANULAR	B+A1
PONER EN FUNCIONAMIENTO	B+A1 L+A2
ARRANCAR	B + S + A1



CONEXIÓN DEL ARNÉS DEL CHASIS (LATERAL QUE COINCIDA)



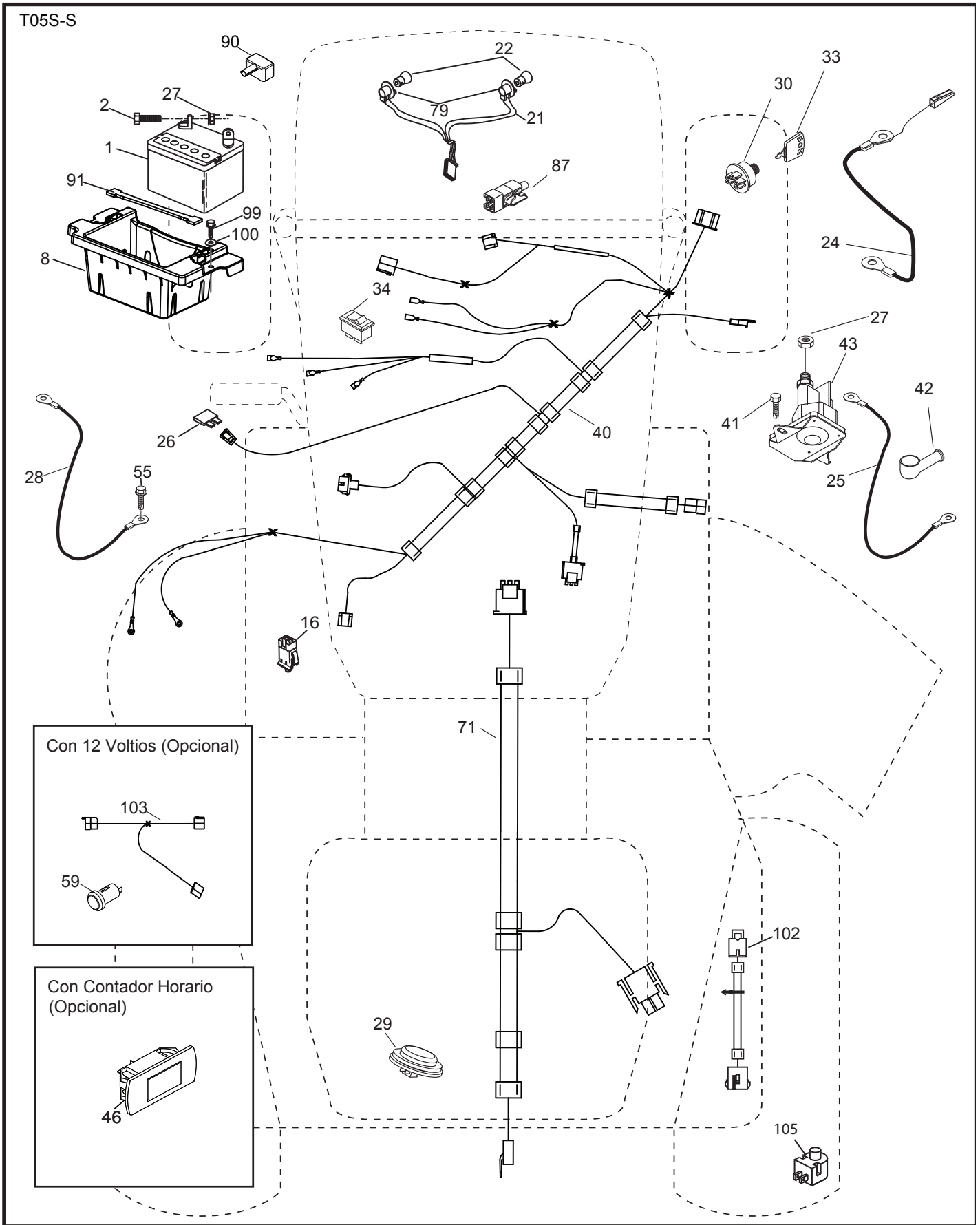
CONEXIÓN PARA EL ARNÉS DEL TABLERO (LATERAL QUE COINCIDA)

NOTA SOBRE LAS ABRAZADERAS DE AISLAMIENTO DEL CABLEADO: SI SE QUITAN LAS ABRAZADERAS DE AISLAMIENTO DEL CABLEADO PARA HACER EL MANTENIMIENTO DE LA UNIDAD, SE LAS DEBERÁ INSTALAR NUEVAMENTE PARA PROTEGER EL CABLEADO ADECUADAMENTE.

● CONEXIONES NO DESMONTABLES

○ CONEXIONES DESMONTABLES

TRACTOR MODELO NO. YTH22V46 (96043018500), PRODUCTO NO. 960 43 01-85
DIAGRAMA ELÉCTRICO

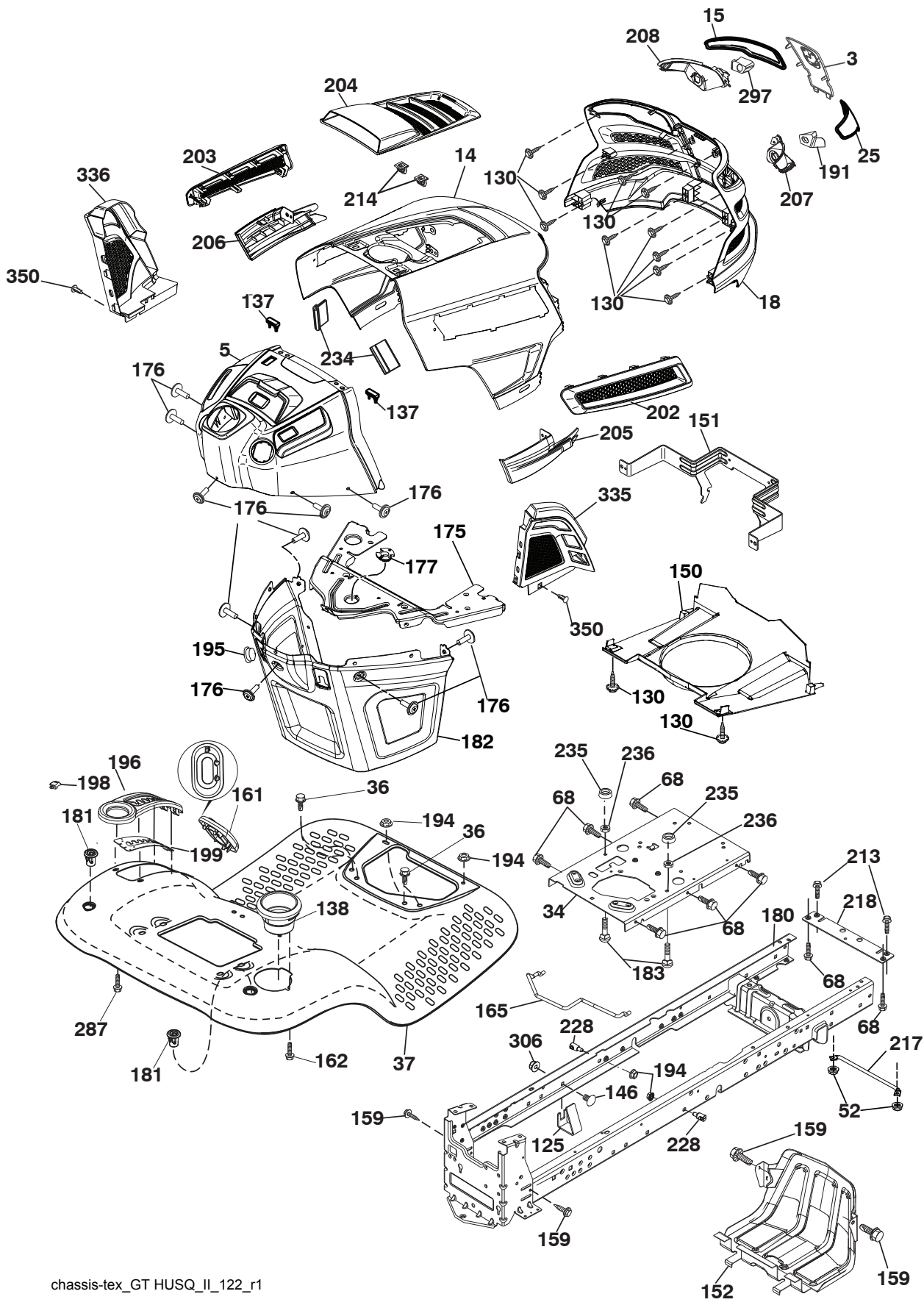


**TRACTOR MODELO NO. YTH22V46 (96043018500), PRODUCTO NO. 960 43 01-85
DIAGRAMA ELÉCTRICO**

CÓDIGO PIEZA		DESCRIPCIÓN
No.	No.	
1	532 16 34-65	Batería
2	874 76 04-12	Perno de cabeza hexagonal de 1/4-20 x 3/4
8	532 41 41-26	Caja de la batería
16	532 17 61-38	Interruptor corta corriente a presión
21	532 40 02-52	Cableado del enchufe para la luz c/4152J
22	532 00 41-52	Bombilla de luz
24	532 40 02-53	Cable, Batería
25	585 55 55-01	Cable
26	532 17 51-58	Fusible
27	873 51 04-00	Tuerca hexagonal Keps de 1/4-20 unc
28	532 14 54-91	Cable a tierra
29	532 40 15-45	Interruptor del asiento
30	532 19 33-50	Interruptor de encendido
33	532 41 19-33	Llave/cadena
34	532 11 07-12	Interruptor de luz/de restauración
40	532 40 10-98	Cableado del tablero de encendido
41	817 72 04-08	Tornillo
42	532 13 15-63	Cubierta de la terminal
43	532 19 25-07	Solenoides
46	532 40 17-63	Indicador SRVCMNDR HRMTR
55	817 06 05-12	Tornillo de 5/16-18 x 3/4
71	532 19 42-76	Cableado de encendido
79	532 17 52-42	Enchufe de cierre por torsión del ensamble de la bombilla
87	532 19 78-02	Interruptor corta corriente del cable de embrague
90	532 43 53-95	Tapa de los bornes de la batería
91	532 19 02-70	Correa de batería
99	817 67 04-12	Tornillo de 1/4-20 x 3/4
100	819 09 14-16	Arandela de 9/32 x 7/8 x calibre 16
102	532 40 44-54	Cableado
105	532 40 75-68	Interruptor

NOTA: Las dimensiones de todos los componentes están expresadas en pulgadas americanas. 1 pulgada = 25,4 mm

**TRACTOR MODELO NO. YTH22V46 (96043018500), PRODUCTO NO. 960 43 01-85
CHASIS**



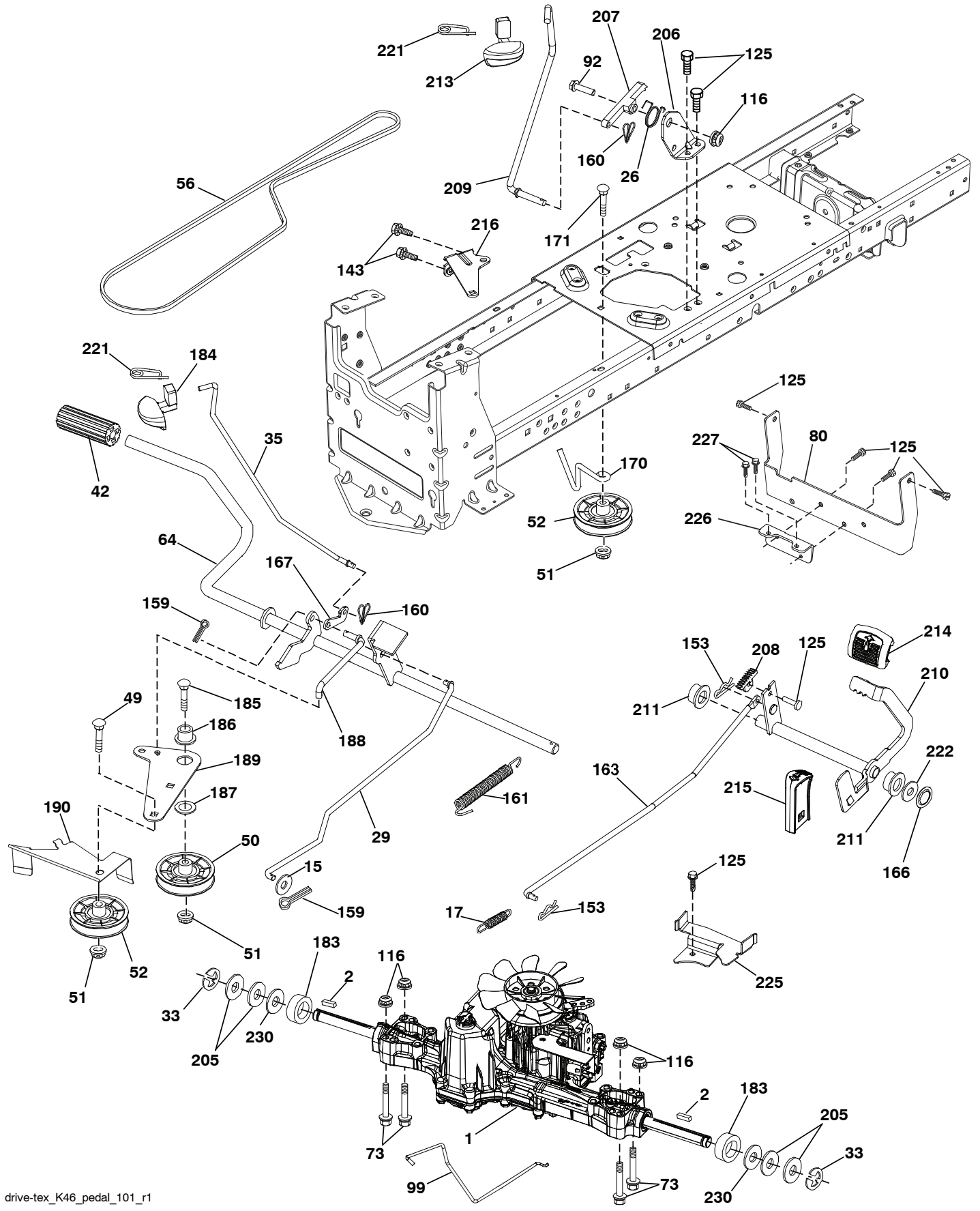
chassis-tex_GT HUSQ_IL_122_r1

**TRACTOR MODELO NO. YTH22V46 (96043018500), PRODUCTO NO. 960 43 01-85
CHASIS**

CÓDIGO No.	PIEZA No.	DESCRIPCIÓN	CÓDIGO No.	PIEZA No.	DESCRIPCIÓN
3	532 44 44-81	Aplica Submontaje	194	873 90 05-00	Tuerca de presión de 5/16-18
5	581 46 69-01	Tablero	195	532 40 41-37	Tapón
14	581 71 51-01	Capota	196	532 43 96-47	Ensamble de la consola de la plataforma de elevación
15	532 43 97-33	Lente izquierdo de la parrilla	198	532 44 15-52	Indicador
18	532 44 06-53	Parrilla	199	532 41 34-85	Placa de la elevación de la cubierta
25	532 44 33-85	Lente derecho de la parrilla	202	532 43 97-28	Salida de Ventilación (LD)
34	580 91 08-01	Chapa Motor	203	532 43 97-27	Salida de Ventilación (LI)
36	817 06 05-12	Tornillo de 5/16-18 x 3/4	204	532 43 57-14	Salida de Ventilación superior
37	532 44 12-69	Guardabarros	205	532 43 97-30	Camisa de Capota (LD)
52	873 68 05-00	Tuerca de presión 5/16-18	206	532 43 97-29	Camisa de Capota (LI)
68	817 49 05-08	Tornillo de 5/16-18 x 1/2	207	532 43 97-34	Bisel derecho
125	581 68 48-01	Soporte	208	532 43 97-35	Bisel izquierdo
130	532 41 63-58	Tornillo No. 10 x 0,75	213	874 76 05-12	Perno
137	532 40 75-90	Cubierta Tablero	214	532 19 91-45	Cierre
138	532 43 97-47	Portavasos	217	532 40 91-67	Varilla giratoria
146	581 85 79-01	Perno	218	532 19 63-95	Tope
150	532 43 97-74	Cubierta térmica del conducto	228	532 19 51-61	Sujetador del travesaño
151	532 43 66-70	Soporte	234	532 40 47-42	Cubierta Capota
152	532 43 98-70	Protector contra oscurecimiento	235	532 40 61-29	Separador del guardabarros
159	817 00 06-12	Tornillo 3/8-16 x 3/4	236	873 93 05-00	Tuerca de presión 5/16-18 unc
161	532 43 97-81	Ventana de combustible	287	817 60 04-06	Tornillo 1/4 - 20 x 3/8
162	532 14 24-32	Tornillo	297	532 43 74-56	Inserto LI
165	532 19 68-26	Soporte	306	873 90 06-00	Tuerca
175	532 19 63-04	Travesaño	335	532 44 82-04	Cubierta LD
176	532 40 07-76	Tornillo de 10-24 x 5/8	336	532 44 53-09	Cubierta LI
177	532 19 52-27	Buje de dirección	350	532 44 51-43	Abrazadera del árbol de navidad
180	532 19 54-57	Chasis			
181	532 43 97-46	Buje de soporte del guardabarros de carga			
182	532 40 68-59	Tablero inferior			
183	874 52 05-20	Perno 5/16-18 x 1-1/4			
191	532 43 74-55	Inserto LD			

NOTA: Las dimensiones de todos los componentes están expresadas en pulgadas americanas. 1 pulgada = 25,4 mm

**TRACTOR MODELO NO. YTH22V46 (96043018500), PRODUCTO NO. 960 43 01-85
TRANSMISIÓN**

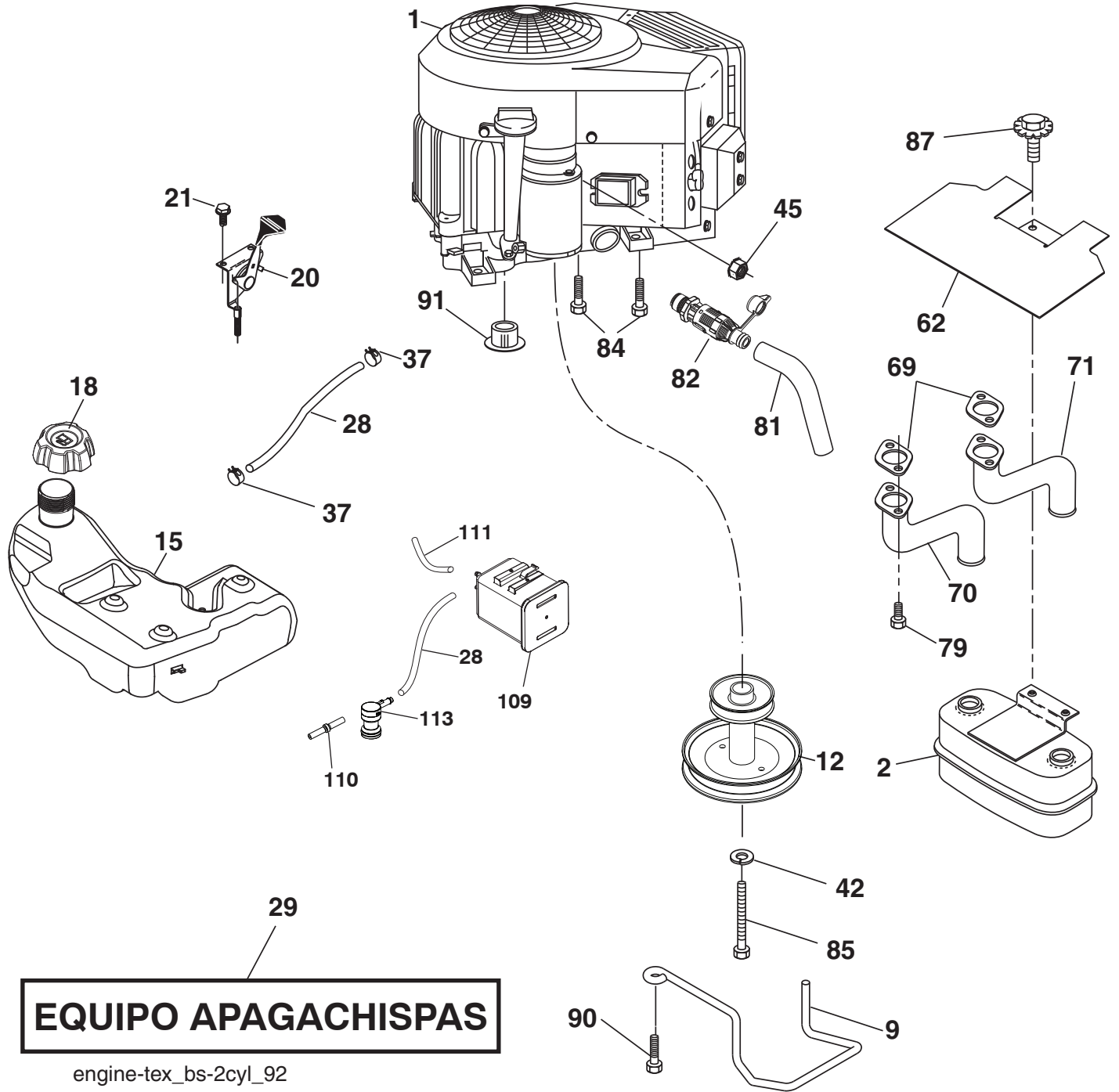


drive-tex_K46_pedal_101_r1

**TRACTOR MODELO NO. YTH22V46 (96043018500), PRODUCTO NO. 960 43 01-85
TRANSMISIÓN**

CÓDIGO PIEZA			CÓDIGO PIEZA		
No.	No.	DESCRIPCIÓN	No.	No.	DESCRIPCIÓN
1	---	Transeje, TUFFTORQ K46BT (426120) (Haga el pedido de las piezas al fabricante del transeje.)	171	872 11 06-16	Perno
2	532 12 35-83	Cuña	183	532 13 70-57	Separador del eje
15	819 13 13-16	Arandelade 13/32x13/16xcalibre 16	184	532 44 14-55	Manija del freno de mano
17	532 41 36-78	Resorte de freno	185	872 11 06-22	Perno
26	532 19 96-79	Crucero con retorno de muelle	186	532 19 43-21	Espaciador de retención
29	532 40 38-06	Varilla del freno	187	819 13 32-10	Arandela
33	812 00 00-01	Aro "E"	188	532 19 43-23	Mecanismo de desplazamiento de la varilla de mando del embrague
35	583 86 45-01	Varilla del freno de mano	189	532 19 43-17	Palanca acodada del mecanismo de desplazamiento
42	532 12 48-72	Cubierta del pedal	190	532 19 43-18	Sujetador de la palanca acodada del mecanismo de desplazamiento
49	872 11 06-14	Perno	205	532 12 17-48	Arandela de 25/32 x 1-5/8 calibre 16
50	532 19 43-27	Polea loca plana	206	532 44 85-96	Soporte de montaje del bloqueo del crucero
51	873 90 06-00	Tuerca de presión de 3/8-16	207	532 19 78-68	Bloqueo del control del crucero
52	532 19 43-26	Polea loca con ranura en V con un desplazamiento	208	532 19 78-69	Engranaje del sector de control del crucero
56	532 13 09-69	Correa trapezoidal de la transmisión	209	532 19 95-92	Varilla de control del crucero
64	532 19 78-65	Ensamble del eje Control del pedal de freno	210	532 40 09-80	Ensamble del balancín del control del pedal
73	874 49 05-40	Perno de 5/16-18 x 2 1/2 G.5	211	532 12 01-83	Rodamiento de nylon
80	532 44 06-19	Correa de torsión	213	532 40 31-19	Perilla de control del crucero
92	874 76 05-20	Perno de cabeza hexagonal con aleta de 5/16-18 unc x 1,25	214	532 42 12-63	Forro del pedal para avanzar
99	532 41 57-42	Varilla del ensamble con resorte de desviación	215	532 40 17-23	Forro del pedal para retroceder
116	873 90 05-00	Tuerca de presión hexagonal con brida de 5/16-18	216	532 19 61-31	Soporte del Polea
125	817 00 05-12	Tornillo de 5/16-18 x 3/4	221	532 40 31-87	Abrazadera de retención del resorte de la manija
143	817 49 05-08	Tornillo de 5/16-18 x 1/2	222	879 21 20-10	Arandela de 21/32 x 1-1/4 calibre 10
153	532 12 47-88	Retén del resorte	225	532 40 33-19	Sujetador de la correa
159	876 02 04-12	Pasador de chaveta de 1/8 x 3/4	226	532 40 15-64	Soporte de la correa de torsión
160	532 16 94-84	Abrazadera de retención	227	817 49 05-12	Tornillo
161	532 10 57-09	Resorte de retorno del embrague	230	532 18 89-67	Arandela
163	532 44 82-75	Varilla de control			
166	532 42 91-64	Tuerca de presión			
167	532 40 52-57	Pestillo del freno de mano			
170	532 19 43-22	Sujetador de la correa			

NOTA: Las dimensiones de todos los componentes están expresadas en pulgadas americanas. 1 pulgada = 25,4 mm



EQUIPO APAGACHISPAS

engine-tex_bs-2cyl_92

TRACTOR MODELO NO. YTH22V46 (96043018500), PRODUCTO NO. 960 43 01-85 MOTOR

CÓDIGO No.	PIEZA No.	DESCRIPCIÓN
1	-----	Motor B&S modelo No. 44R677-0014-G1 (585925901) (Haga el pedido de las piezas al fabricante del motor.)
2	532 44 59-62	Silenciador
9	584 90 80-01	Ensamble del sujetador de la correa del motor
12	532 40 54-72	Polea del motor
15	532 41 41-51	Tanque de combustible
18	532 43 92-08	Ensamble de la tapa
20	532 17 83-85	Control del regulador
21	532 41 63-58	Tornillo No. 10 x 0,75
28	532 40 11-35	Línea de combustible
29	532 13 71-80	Equipo apagachispas
37	532 12 34-87	Abrazadera de la manguera
42	810 04 07-00	Arandela de presión de 7/16
45	873 51 04-00	Tuerca
62	532 43 40-17	Protector
69	532 16 53-91	Junta
70	581 88 11-01	Tubo de Silenciador LI
71	581 88 10-01	Tubo de Silenciador LD
79	532 18 39-06	Tornillo 5/16-18 x 1
81	532 14 84-56	Tubo de fácil drenaje de aceite
82	532 42 82-87	Conector del drenaje de aceite
84	817 06 06-20	Tornillo 3/8-16 x 1-1/4
85	532 17 39-37	Perno de 7/16-20 x 4
87	537 17 18-77	Perno de 5/16-18
90	817 00 06-16	Tornillo 3/8-16 x 1
91	532 18 74-95	Buje
109	532 41 41-14	Filtro de carbono
110	532 41 41-18	Anti-chapotee la válvula
111	532 42 07-18	Línea de la purgación
113	532 41 41-27	Válvula inclinada

NOTA: Las dimensiones de todos los componentes están expresadas en pulgadas americanas. 1 pulgada = 25,4 mm

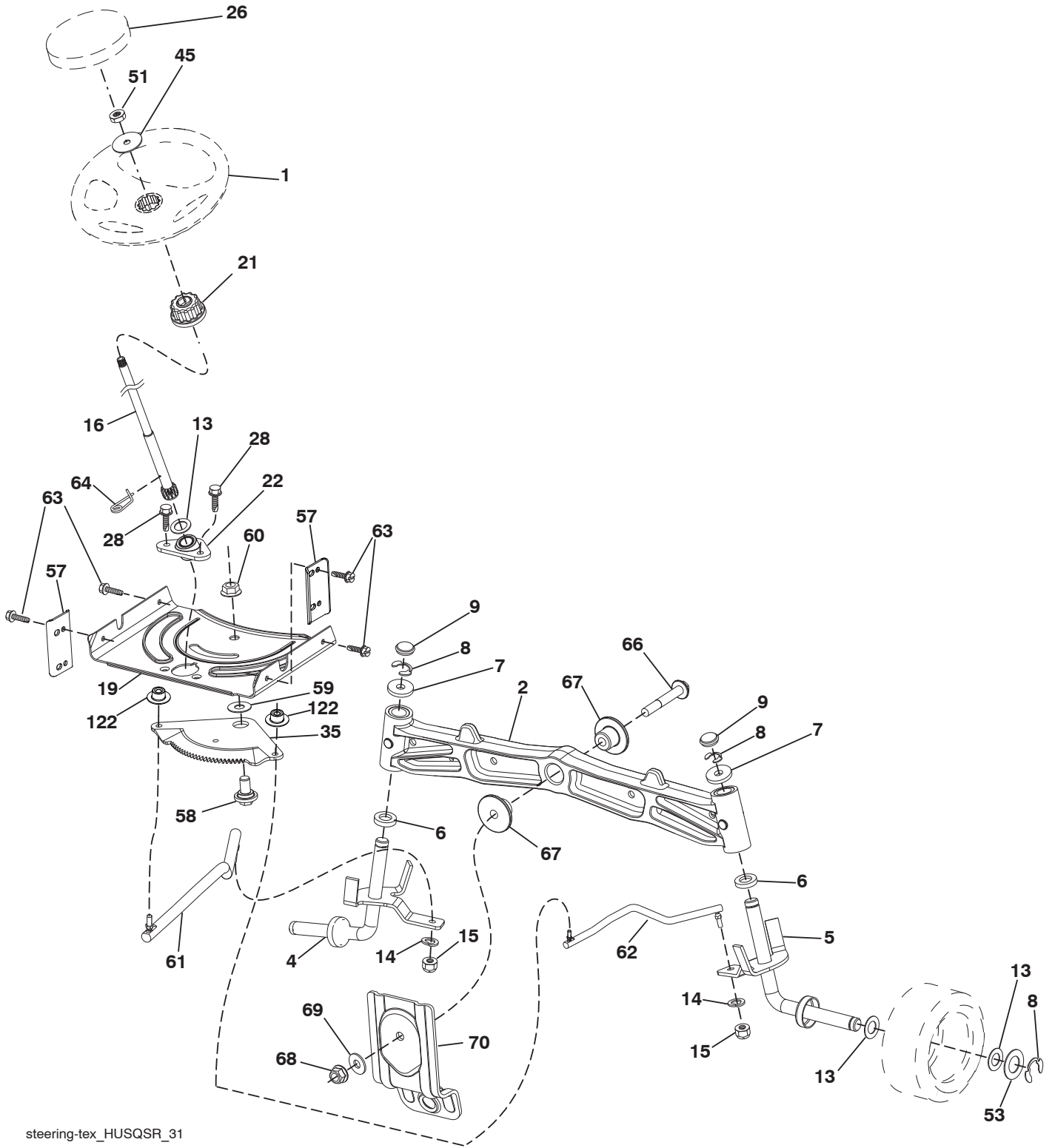
Para las piezas del servicio y de recambio del motor, llame el número gratis para su fabricante del motor enumerado abajo:

Briggs & Stratton 1-800-233-3723

Información de Clasificación de Potencia del Motor

La clasificación de potencia para un modelo de motor a gas en particular se designa de acuerdo al código J1940 de SAE (Sociedad de Ingenieros Automotrices) (Procedimiento de Clasificación de Potencia & Torque del Motor Pequeño), y la clasificación de desempeño ha sido obtenida y corregida de acuerdo con el código J1995 de SAE (Revisión 2002-05). Los valores de torque se obtienen a 3060 RPM; los valores de potencia se obtienen a 3600 RPM. La potencia bruta actual del motor será inferior y está afectada, entre otras cosas, por las condiciones ambientales operativas y la variabilidad de motor a motor. Dado ambos un amplio conjunto de productos en los cuales son puestos nuestros motores, y la variedad de emisiones ambientales aplicables al operar el equipo, el motor a gas no desarrollará la potencia nominal cuando sea usado en una parte del equipo acoplado (potencia real "en el-sitio" o potencia neta). Esta diferencia se debe a una variedad de factores que incluyen, pero que no están limitados a, accesorios (filtro de aire, sistema de escape, sistema de carga, sistema de enfriamiento, carburador, bomba de combustible, etc.) limitaciones de la aplicación, condiciones ambientales de operación (temperatura, humedad, altitud), y la variabilidad de motor a motor. Debido a las limitaciones, Briggs & Stratton puede sustituir este motor con clasificación de potencia más alta por esta serie de motor.

TRACTOR MODELO NO. YTH22V46 (96043018500), PRODUCTO NO. 960 43 01-85
ENSAMBLE DE LA DIRECCIÓN



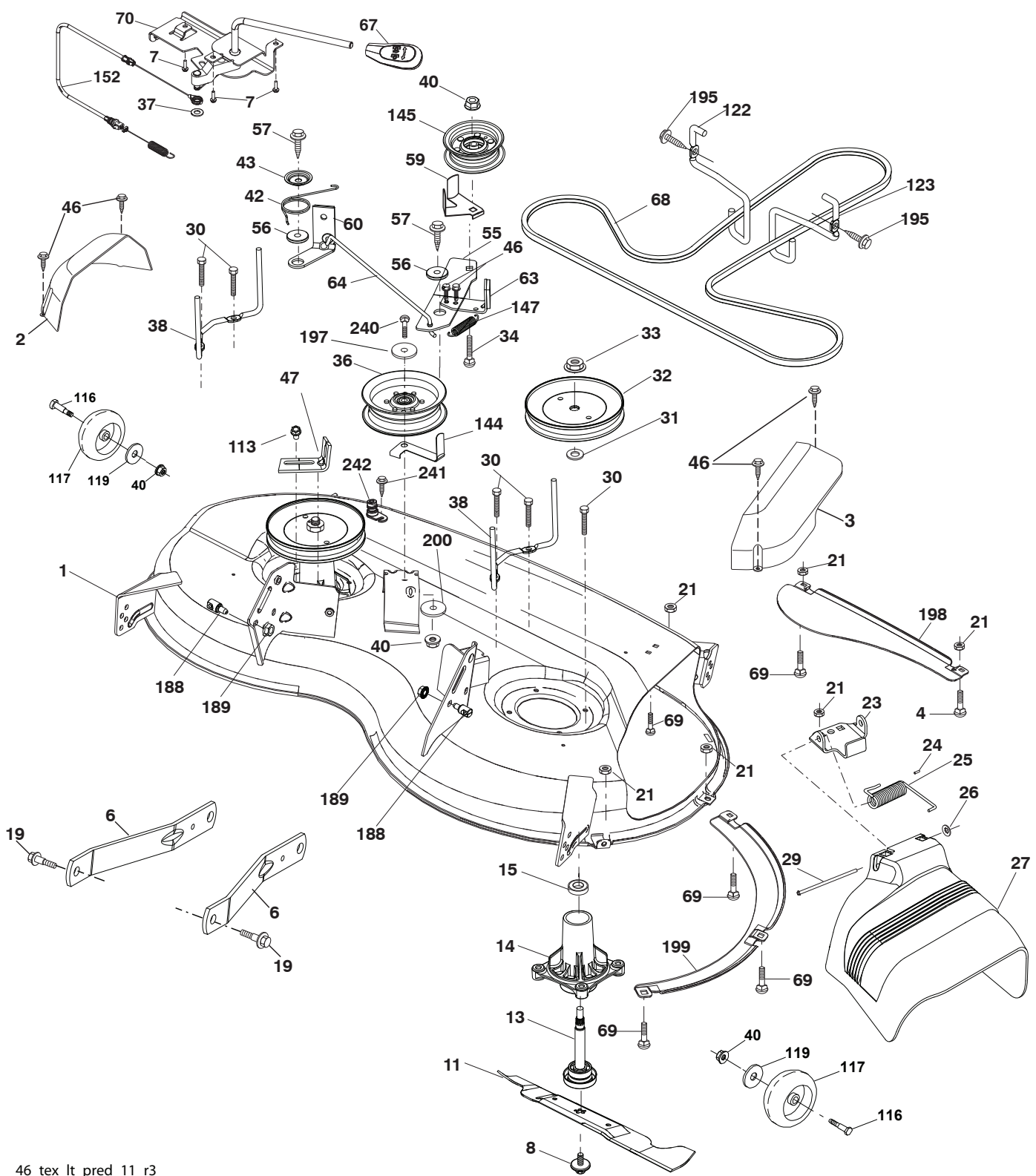
steering-tex_HUSQSR_31

**TRACTOR MODELO NO. YTH22V46 (96043018500), PRODUCTO NO. 960 43 01-85
ENSAMBLE DE LA DIRECCIÓN**

CÓDIGO No.	PIEZA No.	DESCRIPCIÓN
1	532 43 97-40	Volante de dirección
2	532 19 59-68	Eje
4	532 40 30-87	Ensamble del husillo izquierdo
5	532 40 30-88	Ensamble del husillo derecho
6	532 12 49-31	Arandela
7	532 12 17-48	Arandela de 25/32 x 1-5/8 calibre 16
8	812 00 00-29	Abrazadera del aro No. T5304-75
9	532 12 12-32	Tapa del husillo
13	532 12 17-49	Arandela de 25/32 x 1-1/4 calibre 16
14	810 04 06-00	Arandela de presión de 3/8
15	873 54 06-00	Tuerca corona de presión de 3/8-24 unf
16	532 40 82-19	Eje de dirección
19	532 19 47-29	Placa de dirección
21	532 18 67-37	Adaptador del volante de dirección
22	532 42 05-37	Dirección soporte
26	532 43 97-43	Inserto del volante de dirección
28	817 00 06-12	Tornillo de 3/8-16 x 3/4
35	532 19 47-32	Engranaje del sector de la placa
45	819 18 38-12	Arandela de 9/16 ID x 2-3/8 x calibre 12
51	873 94 08-00	Tuerca de presión de 1/2-20 unf
53	532 18 89-67	Arandela reforzada de 793 x 1637 x 0,060
57	532 40 74-65	Tope superior del soporte
58	532 19 47-47	Perno de tope del sector del pivote CFM
59	532 19 47-48	Arandela de empuje del sector de dirección
60	873 97 10-00	Tuerca de presión con brida de 5/8-11
61	532 19 47-40	Barra de acoplamiento izquierda
62	532 19 47-41	Barra de acoplamiento derecha
63	817 00 05-12	Tornillo de 5/16-18 x 3/4
64	532 19 98-49	Abrazadera de retención del resorte de la dirección
66	871 02 07-48	Perno de cabeza 7/16-14 x 3
67	532 19 47-37	Buje PM del eje delantero
68	873 90 07-00	Tuerca de presión con brida de 7/16-14 grado 5
69	532 19 91-62	Arandela de 1,5 x 0,505 x 0,118
70	532 19 61-97	Soporte de la plataforma delantera
122	532 44 49-62	Tapas

NOTA: Las dimensiones de todos los componentes están expresadas en pulgadas americanas. 1 pulgada = 25,4 mm

TRACTOR MODELO NO. YTH22V46 (96043018500), PRODUCTO NO. 960 43 01-85
PLATAFORMA DE LA CORTADORA DE CÉSPED



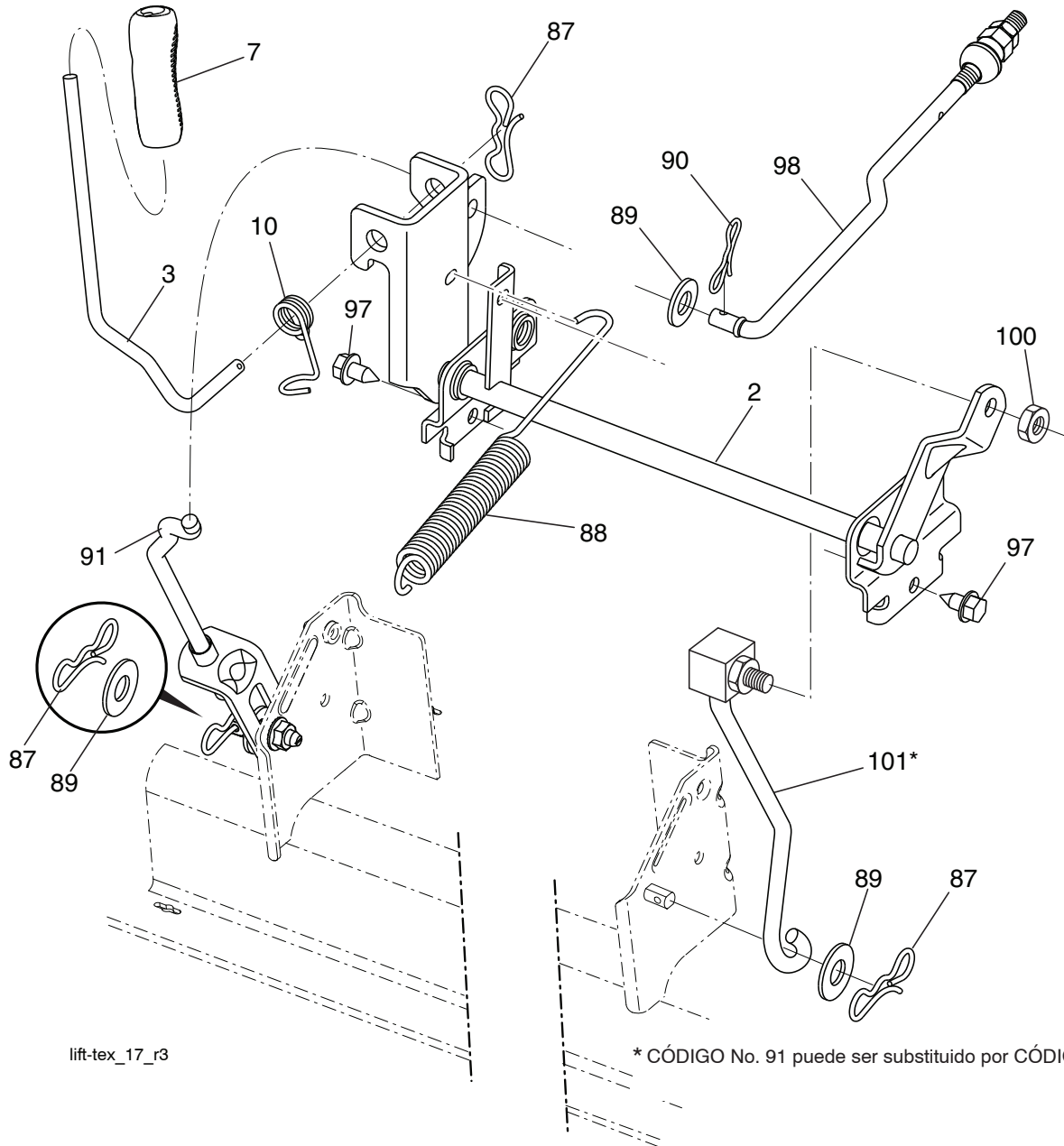
46_tex_lt_pred_11_r3

**TRACTOR MODELO NO. YTH22V46 (96043018500), PRODUCTO NO. 960 43 01-85
PLATAFORMA DE LA CORTADORA DE CÉSPED**

CÓDIGO PIEZA		DESCRIPCIÓN	CÓDIGO PIEZA		DESCRIPCIÓN
No.	No.		No.	No.	
1	532 44 23-82	Carcasa de la cortadora de césped			césped
2	532 40 55-06	Cubierta derecha del mandril	64	532 40 51-38	Varillaje del freno
3	532 40 55-07	Cubierta izquierda del mandril	67	532 40 30-12	Manija del cable de embrague
4	874 76 05-12	Perno 5/16-18 unc	68	532 40 51-43	Correa trapezoidal
6	532 19 51-86	Brazo de la suspensión	69	872 14 05-05	Perno
7	532 41 63-58	Tornillo No. 10 x 0,750	70	532 19 99-72	Ensamble del embrague Manual
8	532 19 30-03	Perno/arandela del ensamble de 7/16-20 unf	113	817 00 05-10	Tornillo de 5/16-18
11	532 40 53-80	Cuchilla de la cortadora	116	532 19 34-06	Perno de tope
13	532 19 28-72	Ensamble del eje del mandril	117	532 17 48-73	Calibrador de la rueda
14	532 18 72-81	Carcasa del mandril	119	819 13 20-12	Arandela de 13/32x1-1/4xcalibre 12
15	532 11 04-85	Rodamiento de bolas del mandril	122	532 19 72-58	Sujetador izquierdo de la correa del motor
19	532 19 65-39	Perno de tope	123	532 19 72-59	Sujetador derecho de la correa del motor
21	873 68 05-00	Tuerca	144	532 19 92-04	Sujetador de la correa
23	532 19 25-57	Soporte del deflector	145	532 19 31-97	Polea loca
24	532 10 53-04	Tapa de la manga	147	532 40 18-72	Retorno del resorte
25	532 19 70-26	Resorte de torsión del deflector	152	584 24 35-01	Cable de embrague manual con resorte
26	532 11 04-52	Tuerca de presión	188	532 19 51-61	Sujetador del travesaño
27	532 40 53-57	Protector del deflector	189	873 90 05-00	Tuerca de presión hexagonal con brida
29	532 13 14-91	Varilla de la bisagra	195	817 00 06-12	Tornillo de 3/8-16 x 3/4
30	532 17 39-84	Tornillo con cabeza de arandela	197	819 13 13-12	Arandela de 13/32x13/16xcalibre 12
31	532 18 76-90	Arandela del separador	198	532 40 31-49	Deflector delantero central
32	532 19 74-73	Polea del mandril	199	532 40 31-50	Deflector delantero derecho
33	532 40 02-34	Tuerca de seguridad con brida	200	532 41 35-24	Arandela de 13/32 x 1 x 1/2 calibre 11
34	872 11 06-12	Perno de 3/8-16 x 1-1/2 grado 5	240	874 52 06-36	Perno 3/8-16 unc x 2-1/4
36	532 19 73-79	Polea loca	241	532 15 29-27	Tornillo
37	819 13 13-16	Arandela de 13/32x13/16xcalibre 16	242	532 41 55-98	Puerto de Lavado de la Cubierta
38	532 43 25-20	Sujetador de la correa izquierda del mandril	--	532 41 64-05	Enganche
40	873 90 06-00	Tuerca de presión con brida de 3/8-16 unc	--	532 19 28-70	Ensamble del Mandril (solo incluye la carcasa (#14), el ensamble del eje (#13) y el rodamiento (#15); no incluye la polea/tuerca/arandela ni los pernos/arandelas de la cuchilla)
42	532 19 84-10	Resorte de torsión del freno			Reemplazo de la cortadora de césped, completa
43	532 19 72-56	Resorte de torsión de retención			
46	532 13 77-29	Tornillo			
47	532 19 72-50	Soporte del cable de embrague			
55	532 19 72-49	Brazo de la polea			
56	532 19 90-92	Espaciador de retención	--	532 43 18-23	
57	817 00 06-16	Tornillo hexagonal con arandela de 3/8-16 x 1			
59	532 14 10-43	Dispositivo de protección de la polea (94)			
60	532 19 94-71	Brazo izquierdo del freno de la cortadora de césped			
63	532 19 94-77	Brazo del freno de la cortadora de			

NOTA: Las dimensiones de todos los componentes están expresadas en pulgadas americanas. 1 pulgada = 25,4 mm

**TRACTOR MODELO NO. YTH22V46 (96043018500), PRODUCTO NO. 960 43 01-85
ELEVACIÓN DE LA CORTADORA DE CÉSPED**



lift-tex_17_r3

**CÓDIGO PIEZA
No. No.**

DESCRIPCIÓN

2	532 42 20-27	Ensamble del eje de la elevación
3	532 19 52-31	Ensamble de la palanca de elevación derecha
7	580 96 23-01	Mango de la palanca
10	532 19 63-14	Resorte de torsión
87	532 19 42-09	Pasador de chaveta de 7/16 con bloqueo en forma de mariposa
88	532 41 07-10	Resorte de ayuda de la elevación
89	819 19 19-12	Arandela de zinc transparente
90	532 19 42-08	Pasador de chaveta de 5/16 con bloqueo en forma de mariposa

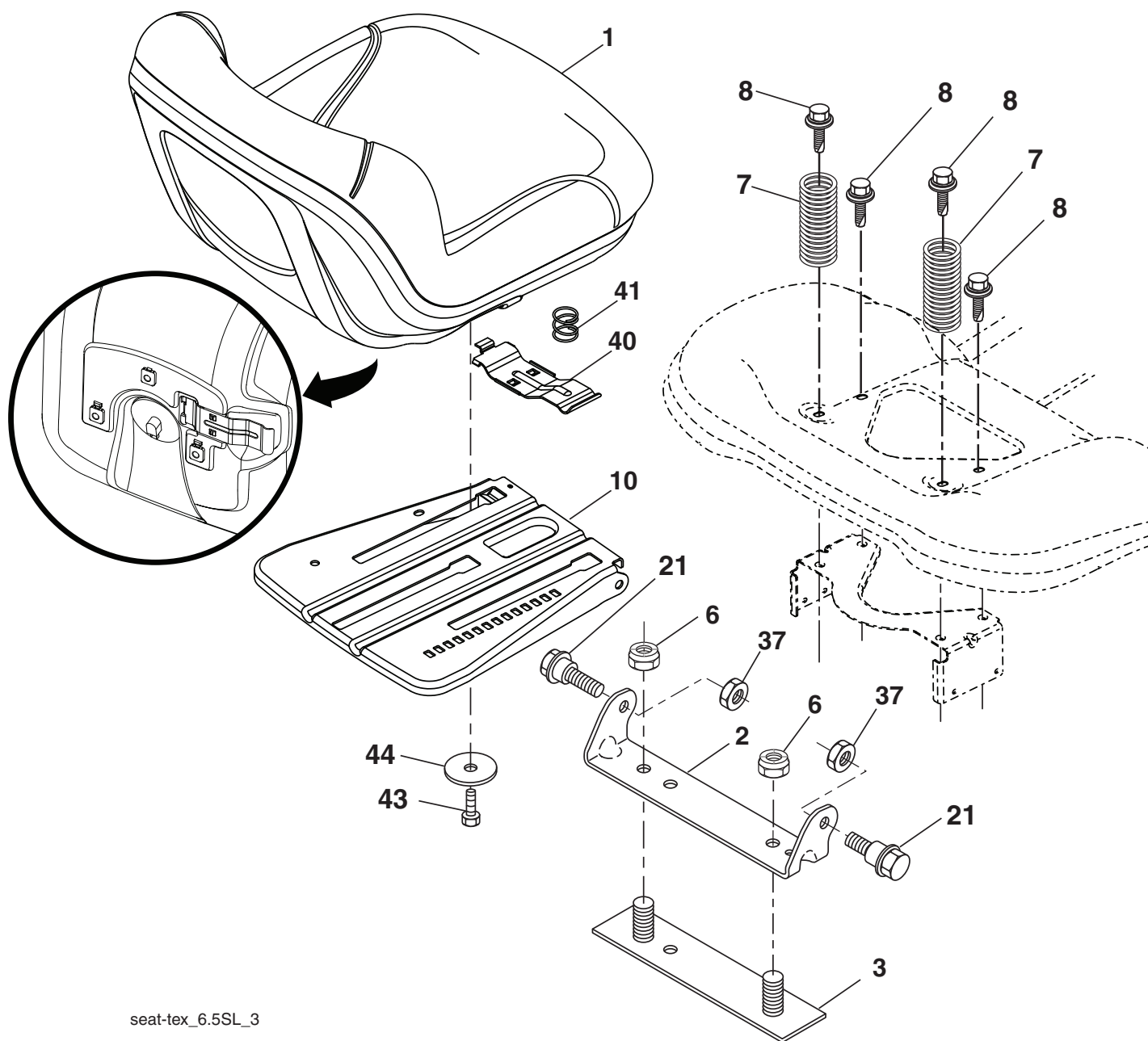
**CÓDIGO PIEZA
No. No.**

DESCRIPCIÓN

91	532 19 51-81	Ensamble del acoplamiento
97	817 00 06-12	Tornillo de 3/8-16 x 0,75
98	532 19 52-70	Acoplamiento frontal de la elevación de la cortadora de césped
100	873 93 06-00	Tuerca de 3/8-16 unc
101	532 40 70-03	Ensamble del acoplamiento elevación

NOTA: Las dimensiones de todos los componentes están expresadas en pulgadas americanas. 1 pulgada = 25,4 mm

**TRACTOR MODELO NO. YTH22V46 (96043018500), PRODUCTO NO. 960 43 01-85
ENSAMBLE DEL ASIENTO**



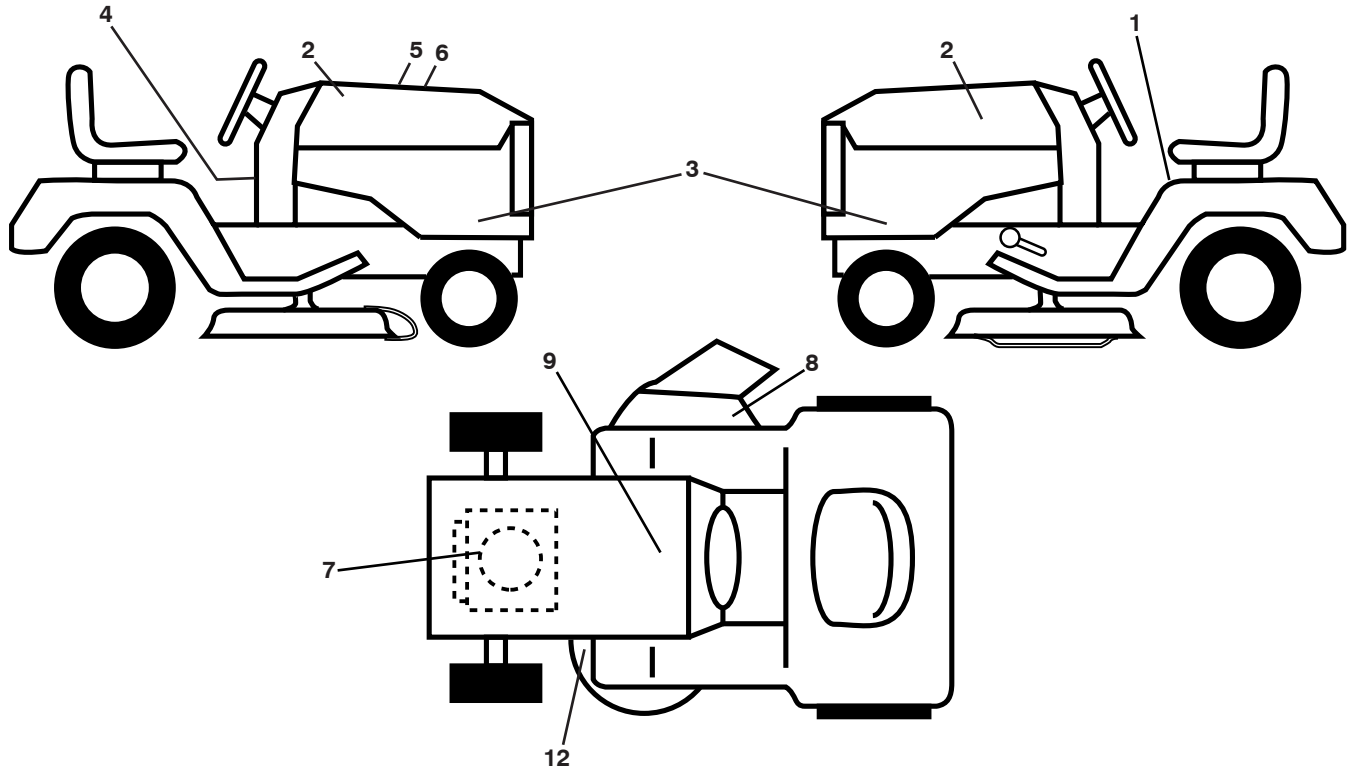
seat-tex_6.5SL_3

CÓDIGO No.	PIEZA No.	DESCRIPCIÓN
1	532 43 98-22	Asiento
2	532 18 01-66	Soporte pivotante del guardabarros
3	532 14 06-75	Conector del ensamble del guardabarros
6	873 80 06-00	Tuerca de presión c/aislamiento de 3/8-16 unc
7	532 12 41-81	Resorte del asiento
8	532 17 18-77	Perno de 5/16" unc x 3/4"
10	532 19 69-77	Bandeja del asiento
21	532 17 18-52	Perno de tope de 5/16-18

CÓDIGO No.	PIEZA No.	DESCRIPCIÓN
37	873 80 05-00	Tuerca de presión de 5/16-18 unc
40	532 19 76-61	Manija para deslizar el asiento
41	532 19 82-00	Resorte para trabar el asiento
43	874 76 06-12	Perno de cabeza hexagonal con aleta de 3/8-16 unc x 3/4
44	819 13 38-12	Arandela de 13/32 x 2-3/8 calibre 12

NOTA: Las dimensiones de todos los componentes están expresadas en pulgadas americanas. 1 pulgada = 25,4 mm

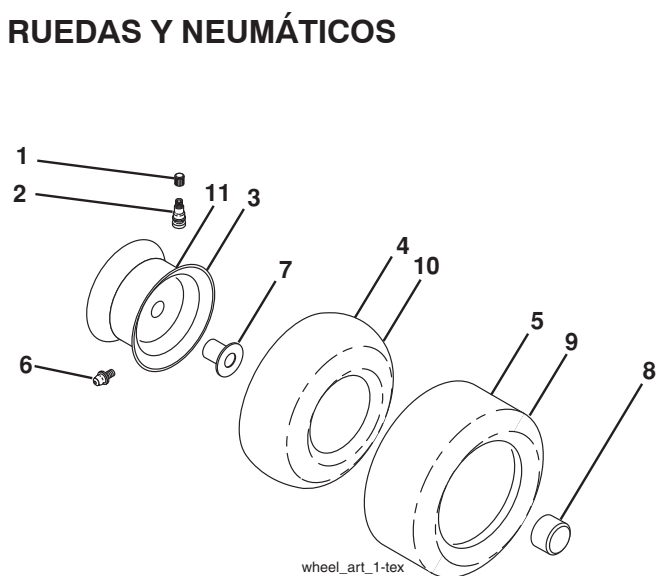
**TRACTOR MODELO NO. YTH22V46 (96043018500), PRODUCTO NO. 960 43 01-85
CALCOMANÍAS**



CÓDIGO No.	PIEZA No.	DESCRIPCIÓN
1	581 57 89-01	Calcomanía para advertencia
2	581 62 73-01	Calcomanía para la capota
3	581 59 42-01	Calcomanía para el panel capota
4	532 42 41-02	Calcomanía para advertencia
5	532 42 38-29	Calcomanía del operador
6	585 92 64-01	Calcomanía de reemplazo
7	581 25 85-01	Calcomanía de motor
8	581 57 95-01	Calcomanía advertencia
9	532 14 50-05	Calcomanía de Peligro/Punto de interconexión

CÓDIGO No.	PIEZA No.	DESCRIPCIÓN
12	581 58 00-01	Calcomanía del diagrama de la cortadora de césped
--	581 72 48-01	Calcomanía para la desviación
--	532 43 96-81	Forro del apoyo para los pies (LI)
--	532 43 96-82	Forro del apoyo para los pies (LD)
--	585 99 49-96	Manual de Operario (Ing/Esp)
--	585 99 49-27	Manual de Repuestos (Ing/Esp)

RUEDAS Y NEUMÁTICOS



CÓDIGO No.	PIEZA No.	DESCRIPCIÓN
1	532 05 91-92	Tapa de la válvula del neumático
2	532 06 51-39	Vástago de la válvula
3	532 13 83-36	Ensamble de las llantas delanteras
4	532 05 99-04	Cámaradelanteras (Mantenimientosólo)
5	532 10 62-22	Neumático delantero 15 x 6-6
6	532 12 49-57	Accesorio para engrasar (solo para la rueda delantera)
7	532 12 49-59	Rodamiento de la brida (solo para la rueda delantera)
8	532 17 50-39	Tapa del eje 1 50 x 1 00
9	532 13 84-68	Neumático 20 x 8-8
10	532 12 49-26	Cámara trasera (Mantenimiento sólo)
11	532 13 83-37	Ensamble trasero de la llanta 8"
--	532 14 43-34	Sellador para neumáticos (tubo de 10 onzas [283 gr])

NOTA: Las dimensiones de todos los componentes están expresadas en pulgadas americanas. 1 pulgada = 25,4 mm

NOTES/AVISO

09/17/2013 BD