

Repair Parts Manual Manual De Repuestos

YTH22V46 / 96045004200

Please read the operator's manual carefully and make sure you understand the instructions before using the machine.

Por favor lea cuidadosamente y comprenda estas instrucciones antes de usar esta maquina.



English/Spanish



581 60 39-47

HOW TO USE THIS MANUAL

This manual is designed to provide the customer with a means to identify the parts on his/her tractor when ordering repair parts. The illustrations may or may not represent the actual assemblies; therefore, it is not recommended to use this manual as a guide to assemble or disassemble the tractor. Some hardware and parts are drawn larger in order to more readily identify them.

Each tractor has its own model number.

The model number for your tractor can be found on the fender under the seat.

When ordering parts, always give the following information:

- Product - "TRACTOR"
- MODEL NUMBER - "YTH22V46" (96045004200)"
- Part Number
- Part Description

TABLE OF CONTENTS

| | |
|-----------------|-------|
| SCHEMATIC | 3 |
| ELECTRICAL..... | 4-5 |
| CHASSIS | 6-7 |
| DRIVE..... | 8-9 |
| ENGINE..... | 10-11 |
| STEERING | 12-13 |
| MOWER DECK..... | 14-15 |
| MOWER LIFT..... | 16 |
| SEAT | 17 |
| DECALS..... | 18 |

COMO UTILIZAR ESTE MANUAL

Este manual está diseñado para brindarle al comprador un medio para identificar las piezas del tractor para cuando necesite hacer el pedido de un repuesto. Las ilustraciones pueden o no representar los ensambles reales; por lo tanto, no se recomienda utilizar este manual como una guía para ensamblar o desarmar el tractor. Algunos accesorios y piezas están dibujados en tamaños más grandes para identificarlos con mayor facilidad.

Cada tractor tiene su propio número de modelo.

El número de modelo del tractor se encuentra en el guardabarros debajo del asiento.

Cuando haga el pedido de una pieza, siempre brinde la siguiente información:

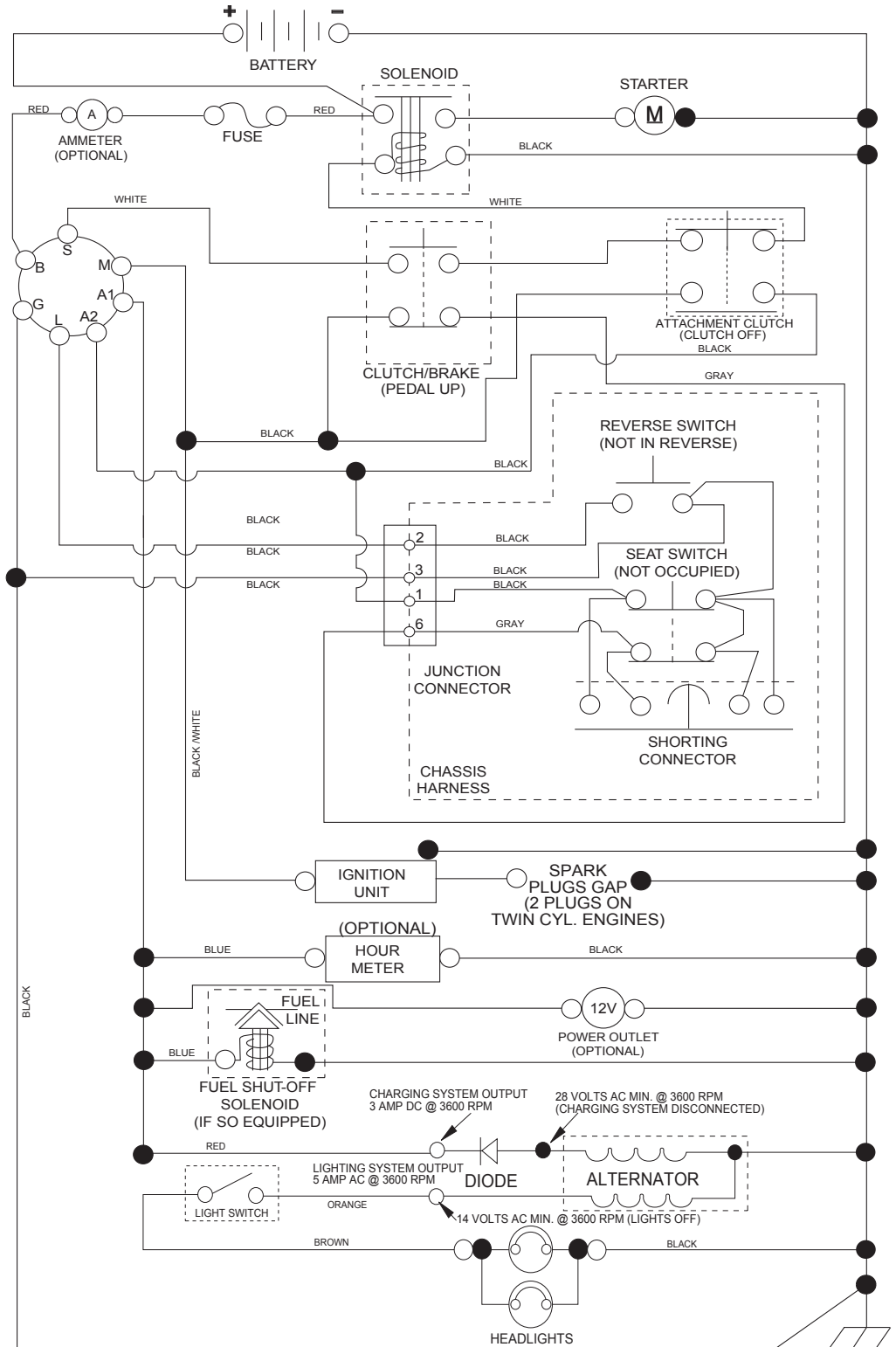
- Producto: "TRACTOR"
- NÚMERO DE MODELO: "YTH22V46"(96045004200)"
- Número de pieza
- Descripción de la pieza

ÍNDICE

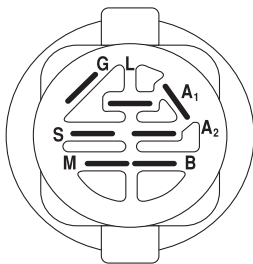
| | |
|---|-------|
| DIAGRAMA..... | 19 |
| DIAGRAMA ELÉCTRICO | 20-21 |
| CHASIS..... | 22-23 |
| TRANSMISIÓN | 24-25 |
| MOTOR | 26-27 |
| DIRECCIÓN | 28-29 |
| PLATAFORMA DE LA CORTADORA DE CÉSPED..... | 30-31 |
| ELEVACIÓN DE LA CORTADORA DE CÉSPED..... | 32 |
| ASIENTO..... | 33 |
| CALCOMANÍAS..... | 34 |

TRACTOR - - MODEL NUMBER YTH22V46 (96045004200), PRODUCT NO. 960 45 00-42 SCHEMATIC

SCH11

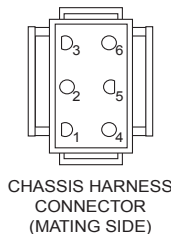


NOTE
YOUR TRACTOR IS EQUIPPED WITH A SPECIAL ALTERNATOR SYSTEM. THE LIGHTS ARE NOT CONNECTED TO THE BATTERY, BUT HAVE THEIR OWN ELECTRICAL SOURCE. BECAUSE OF THIS, THE BRIGHTNESS OF THE LIGHTS WILL CHANGE WITH ENGINE SPEED. AT IDLE THE LIGHTS WILL DIM. AS THE ENGINE IS SPEEDED UP, THE LIGHTS WILL BECOME THEIR BRIGHTEST.



IGNITION SWITCH

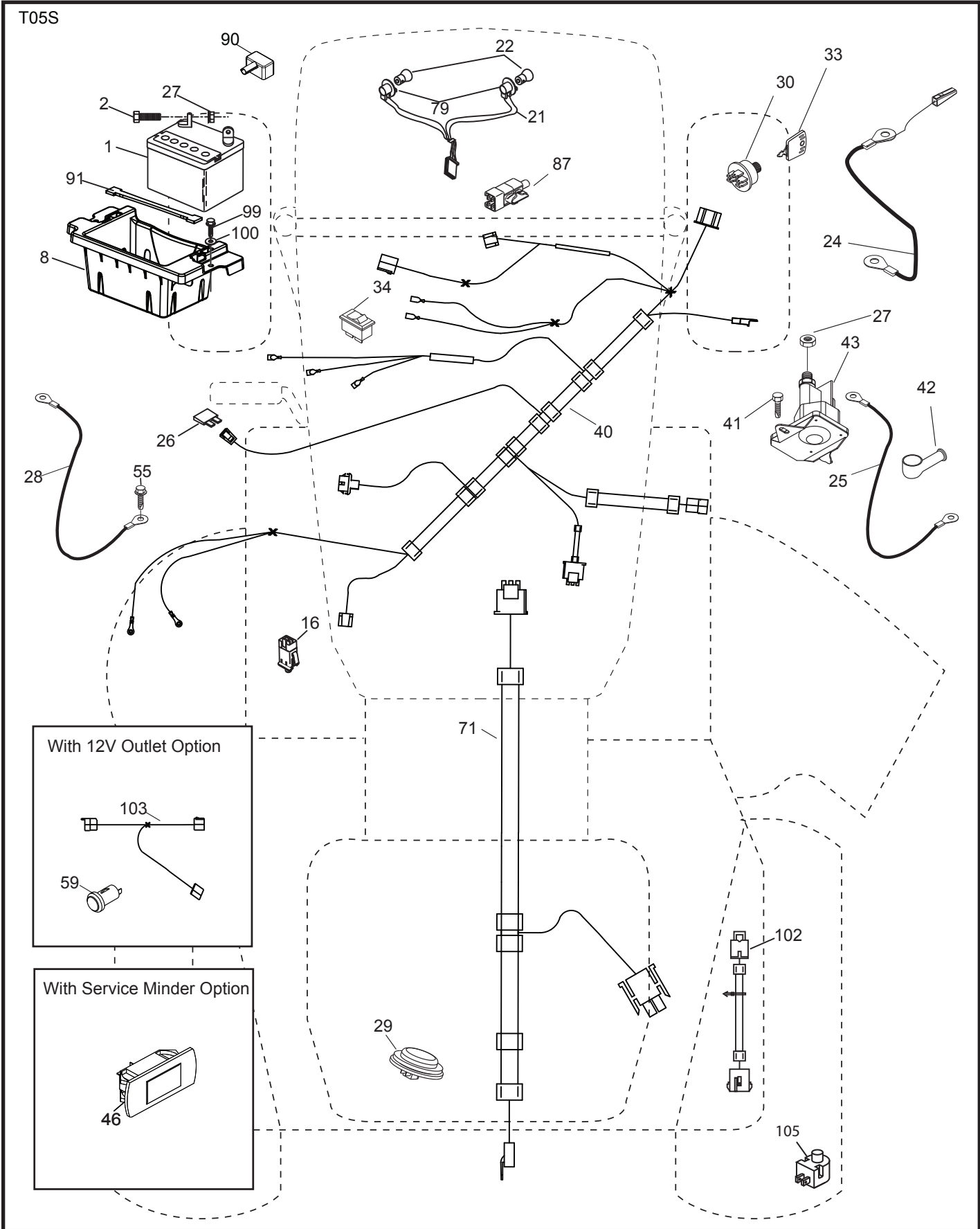
| POSITION | CIRCUIT | "MAKE" |
|--------------|------------|--------|
| OFF | M+G+A1 | |
| RUN/OVERRIDE | B+A1 | |
| RUN | B+A1 | L+A2 |
| START | B + S + A1 | |



WIRING INSULATED CLIPS
NOTE: IF WIRING INSULATED CLIPS WERE REMOVED FOR SERVICING OF UNIT, THEY SHOULD BE RE-INSTALLED TO PROPERLY SECURE YOUR WIRING.

● NON-REMOVABLE CONNECTIONS
○ REMOVABLE CONNECTIONS

**TRACTOR - - MODEL NUMBER YTH22V46 (96045004200), PRODUCT NO. 960 45 00-42
ELECTRICAL**

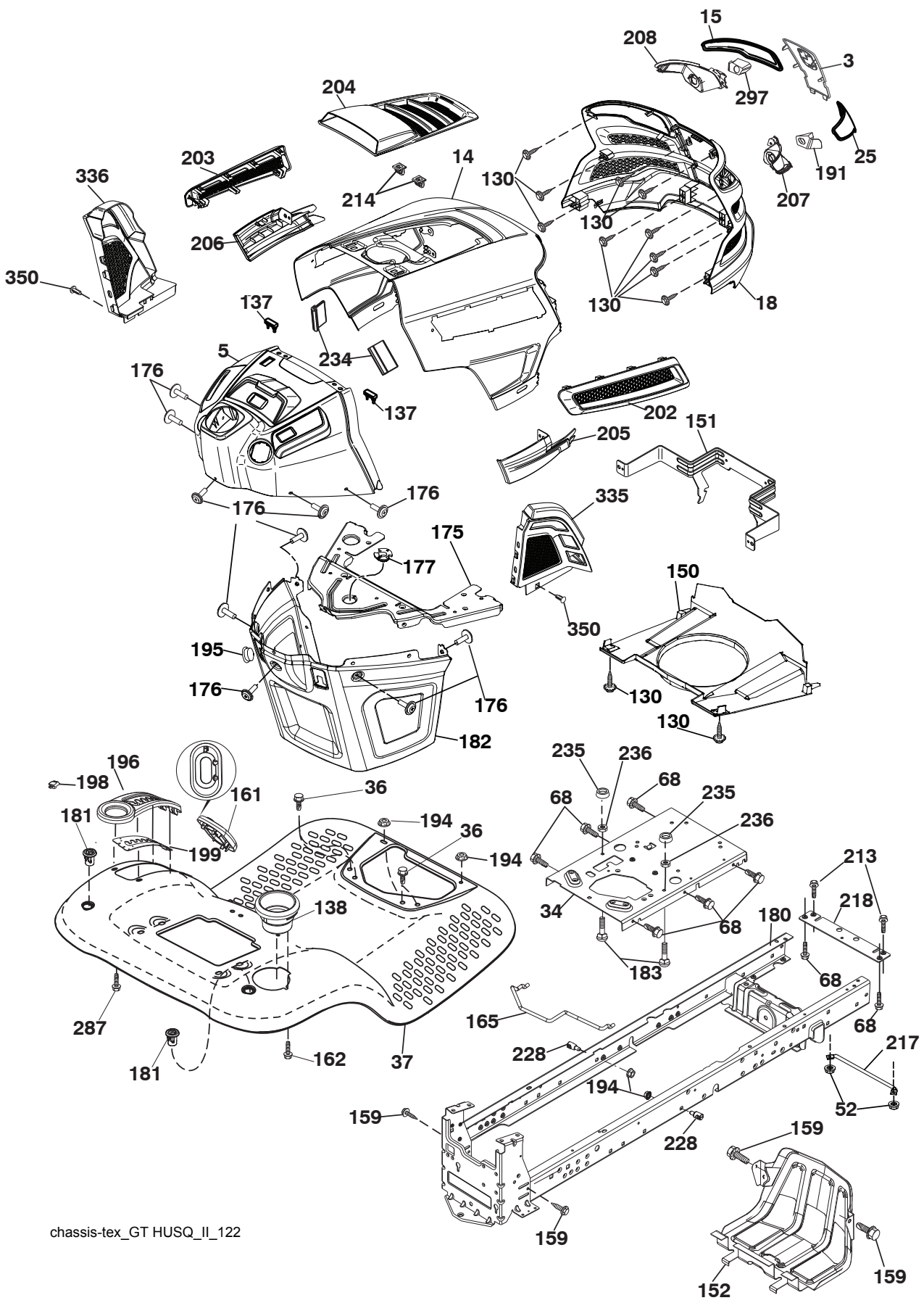


**TRACTOR - - MODEL NUMBER YTH22V46 (96045004200), PRODUCT NO. 960 45 00-42
ELECTRICAL**

| KEY NO. | PART NO. | DESCRIPTION |
|----------------|-----------------|---------------------------------|
| 1 | 532 16 34-65 | Battery |
| 2 | 874 76 04-12 | Bolt Hex Head 1/4-20 x 3/4 |
| 8 | 532 41 41-26 | Box Battery |
| 16 | 532 17 61-38 | Switch Interlock Push-In |
| 21 | 532 40 02-52 | Harness Socket Light w/4152J |
| 22 | 532 00 41-52 | Bulb Light |
| 24 | 532 40 02-53 | Cable BTRY. |
| 25 | 532 41 28-95 | Cable Starter |
| 26 | 532 17 51-58 | Fuse |
| 27 | 873 51 04-00 | Nut Keps Hex 1/4-20 unc |
| 28 | 532 14 54-91 | Cable, Ground |
| 29 | 532 40 15-45 | Switch, Seat |
| 30 | 532 19 33-50 | Switch, Ign |
| 33 | 532 41 19-33 | Key/Chain |
| 34 | 532 11 07-12 | Switch Light/Reset |
| 40 | 532 40 10-98 | Harness Ign. Dash |
| 41 | 817 72 04-08 | Screw Thd Cut 1/4-20 x 1/2 |
| 42 | 532 13 15-63 | Cover, Terminal |
| 43 | 532 19 25-07 | Solenoid |
| 46 | 532 40 17-63 | Gauge Serviceminder Hrmtr |
| 55 | 817 06 05-12 | Screw Thdrol 5/16-18 x 3/4 TYTT |
| 71 | 532 19 42-76 | Harness Chassis |
| 79 | 532 17 52-42 | Socket Asm. Bulb |
| 87 | 532 19 78-02 | Switch Interlock |
| 90 | 532 43 53-95 | Cover Terminal |
| 91 | 532 19 02-70 | Strap Battery |
| 99 | 817 67 04-12 | Screw 1/4-20 x 4 |
| 100 | 819 09 14-16 | Washer 9/32 x 7/8 x 16 Ga. |
| 102 | 532 40 44-54 | Harness Pigtail |
| 105 | 532 40 75-68 | Switch Reverse |

NOTE: All component dimensions given in U.S. inches
1 inch = 25.4 mm

TRACTOR - - MODEL NUMBER YTH22V46 (96045004200), PRODUCT NO. 960 45 00-42
CHASSIS



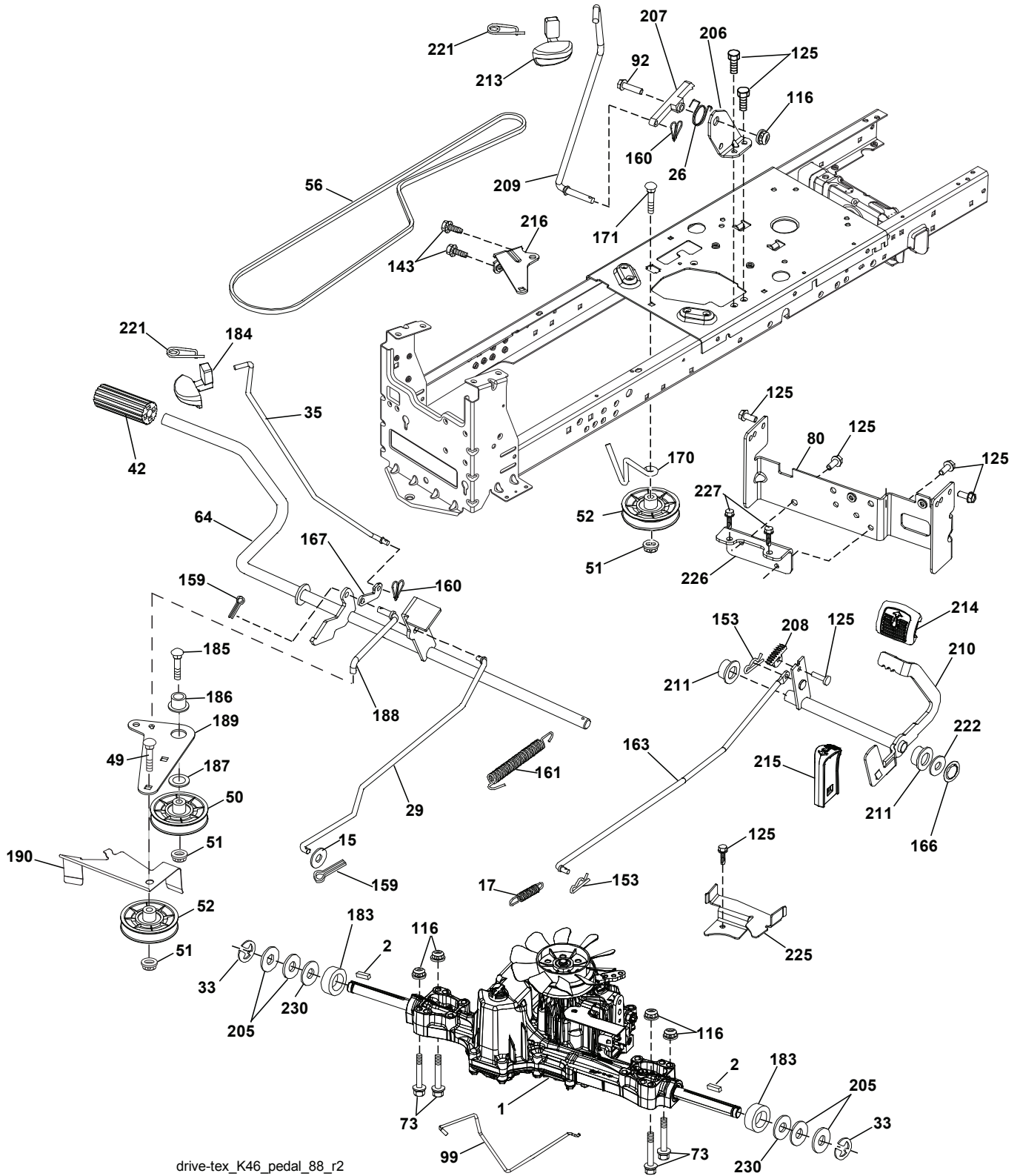
chassis-tex_GT HUSQ_II_122

**TRACTOR - - MODEL NUMBER YTH22V46 (96045004200), PRODUCT NO. 960 45 00-42
CHASSIS**

| KEY NO. | PART NO. | DESCRIPTION | KEY NO. | PART NO. | DESCRIPTION |
|----------------|-----------------|--------------------------------|----------------|-----------------|------------------------|
| 3 | 532 44 44-81 | Applique Sub Asm. | 195 | 532 40 41-37 | Plug Hole Dash Lower |
| 5 | 581 46 69-01 | Dash | 196 | 532 43 96-47 | Console Asm. Deck Lift |
| 14 | 532 44 11-77 | Hood | 198 | 532 44 15-52 | Deck Indicator |
| 15 | 532 43 97-33 | Lens LH | 199 | 532 41 34-85 | Deck Lift Plate |
| 18 | 532 44 06-53 | Grille | 202 | 532 43 97-28 | Vent Side Hood RH |
| 25 | 532 44 33-85 | Lens RH | 203 | 532 43 97-27 | Vent Side Hood LH |
| 34 | 580 91 08-01 | Plate Engine | 204 | 532 43 57-14 | Vent Top Hood |
| 36 | 817 06 05-12 | Screw 5/16-18 x 3/4 | 205 | 532 43 97-30 | Skirt Hood Side RH |
| 37 | 532 44 12-69 | Fender | 206 | 532 43 97-29 | Skirt Hood Side LH |
| 52 | 873 68 05-00 | Nut Lock 5/16-18 | 207 | 532 43 97-34 | Bezel RH |
| 68 | 817 49 05-08 | Screw Thdrol 5/16-18 x 1/2 | 208 | 532 43 97-35 | Bezel LH |
| 130 | 532 41 63-58 | Screw #10 x 0.750 | 213 | 874 76 05-12 | Bolt 5/16-18 x 3/4 |
| 137 | 532 40 75-90 | Bumper Dash | 214 | 532 19 91-45 | Clip Retainer Tinner |
| 138 | 532 43 97-47 | Cupholder | 217 | 532 40 91-67 | Rod Pivot |
| 150 | 532 43 97-74 | Air Duct | 218 | 532 19 63-95 | X-Piece Hood Stop |
| 151 | 532 43 66-70 | Bracket Pivot | 228 | 532 19 51-61 | Stud Fastner |
| 152 | 532 43 98-70 | Shield Browning | 234 | 532 40 47-42 | Bumper Hood |
| 159 | 817 00 06-12 | Screw Hexwsh Thrd 3/8-16 x 3/4 | 235 | 532 40 61-29 | Spacer Fender |
| 161 | 532 43 97-81 | Fuel Window | 236 | 873 93 05-00 | Nut Lock 5/16-18 unc |
| 162 | 532 14 24-32 | Screw | 287 | 817 60 04-06 | Screw 1/4-20 x 3/8 |
| 165 | 532 19 68-26 | Support Tank Rear | 297 | 532 43 74-56 | Insert Reflective LH |
| 175 | 532 19 63-04 | Crossmember | 335 | 532 44 82-04 | Cover Lower Dash RH |
| 176 | 532 40 07-76 | Screw 10-24 x 5/8 | 336 | 532 44 53-09 | Cover Lower Dash LH |
| 177 | 532 19 52-27 | Bushing Steering | 350 | 532 44 51-43 | Clip X-mas Tree |
| 180 | 532 19 54-57 | Chassis | | | |
| 181 | 532 43 97-46 | Bushing Mtg. Fender Crgo | | | |
| 182 | 532 40 68-59 | Dash Lower | | | |
| 183 | 874 52 05-20 | Bolt 5/16-18 x 1-1/4 | | | |
| 191 | 532 43 74-55 | Insert Reflective RH | | | |
| 194 | 873 90 05-00 | Nut Lock Hex Flange 5/16-18 | | | |

NOTE: All component dimensions given in U.S. inches
1 inch = 25.4 mm

TRACTOR - - MODEL NUMBER YTH22V46 (96045004200), PRODUCT NO. 960 45 00-42
DRIVE



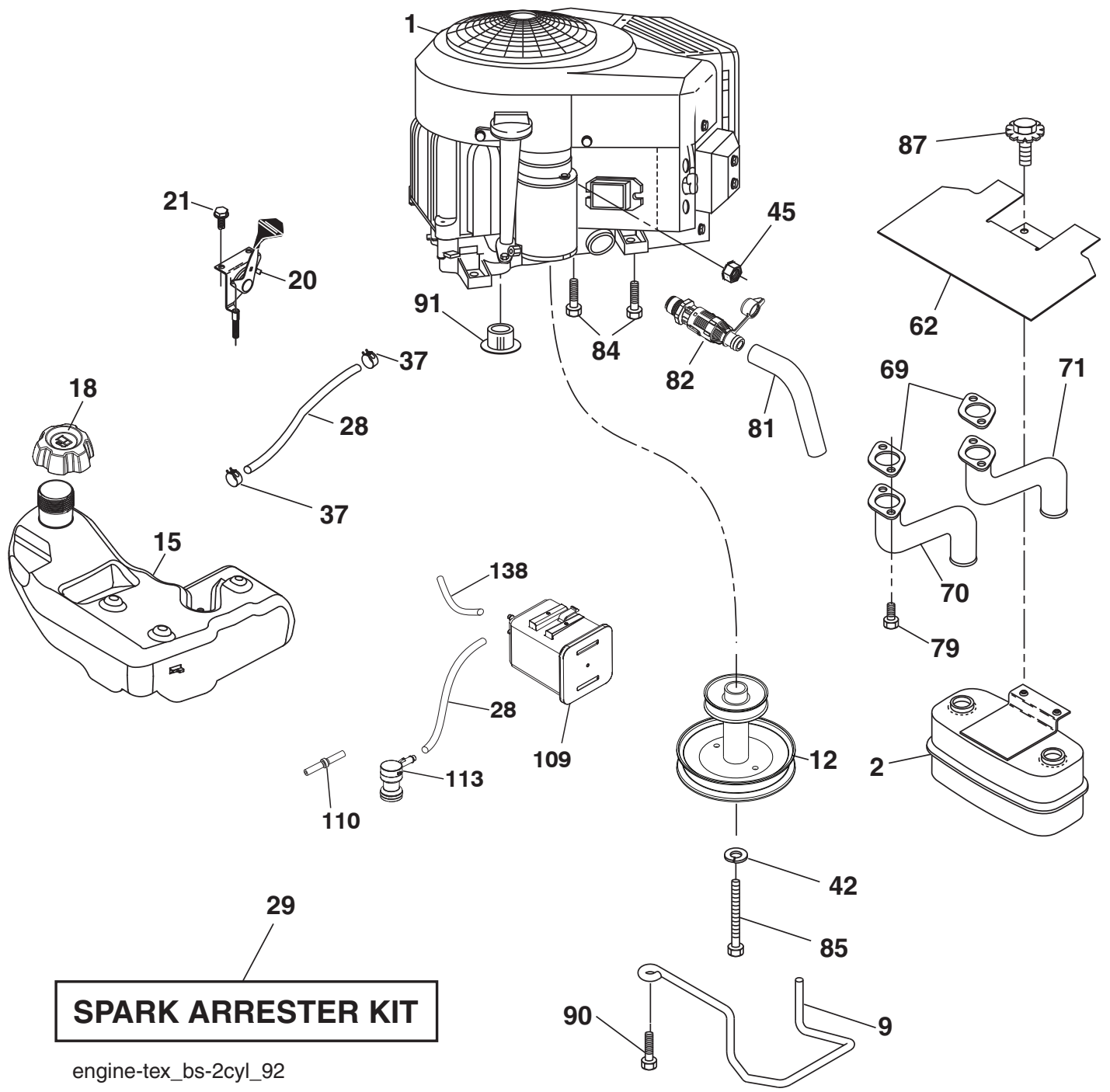
drive-tex_K46_pedal_88_r2

**TRACTOR - - MODEL NUMBER YTH22V46 (96045004200), PRODUCT NO. 960 45 00-42
DRIVE**

| KEY NO. | PART NO. | DESCRIPTION | KEY NO. | PART NO. | DESCRIPTION |
|---------|--------------|---|---------|--------------|-------------------------------|
| 1 | --- | Transaxle, TUFFTORQ K46BT (426120) (Order parts from transaxle manufacturer.) | 170 | 532 19 43-22 | Keeper V-Idler |
| 2 | 532 12 35-83 | Key Square | 171 | 872 11 06-16 | Bolt 3/8-16 unc x 2 |
| 15 | 819 13 13-16 | Washer 13/32 x 13/16 x 16 Ga. | 183 | 532 13 70-57 | Spacer Axle |
| 17 | 532 41 36-78 | Spring, Brake | 184 | 532 44 14-55 | Handle Parking Brake |
| 26 | 532 19 96-79 | Spring Return Cruise | 185 | 872 11 06-22 | Bolt |
| 29 | 532 40 38-06 | Rod, Brake | 186 | 532 19 43-21 | Spacer Retainer |
| 33 | 812 00 00-01 | Ring E | 187 | 819 13 32-10 | Washer |
| 35 | 532 43 54-86 | Rod, Brake, Park | 188 | 532 19 43-23 | Link Clutch Ground Drive |
| 42 | 532 12 48-72 | Cover, Foot Pedal | 189 | 532 19 43-17 | Bellcrank Ground Drive |
| 49 | 872 11 06-14 | Bolt | 190 | 532 19 43-18 | Keeper Bellcrank Ground Drive |
| 50 | 532 19 43-27 | Pulley Idler Flat | 205 | 532 12 17-48 | Washer 25/32 x 1-5/8 x 16 Ga. |
| 51 | 873 90 06-00 | Lock Nut 3/8-16 | 206 | 532 19 78-67 | Bracket Mount Latch Cruise |
| 52 | 532 19 43-26 | Idler V-Groove | 207 | 532 19 78-68 | Latch Control Cruise |
| 56 | 532 13 09-69 | V-Belt, Drive | 208 | 532 19 78-69 | Gear Sector Control Cruise |
| 64 | 532 19 78-65 | Shaft Asm. Pedal Brake Control | 209 | 532 19 95-92 | Rod Control Cruise |
| 73 | 874 49 05-40 | Bolt Hex 5/16-18 x G.5 | 210 | 532 40 09-80 | Rocker Asm. Pedal Control |
| 80 | 532 44 06-19 | Strap Torque | 211 | 532 12 01-83 | Bearing Nylon |
| 92 | 874 76 05-20 | Bolt Fin Hex 5/16-18 unc x 1.25 | 213 | 532 40 31-19 | Knob Control Cruise |
| 99 | 532 41 57-42 | Rod Spring Bypass | 214 | 532 42 12-63 | Pedal Forward |
| 116 | 873 90 05-00 | Nut Lock Hex Flange 5/16-18 | 215 | 532 40 17-23 | Pedal Reverse |
| 125 | 817 00 05-12 | Screw 5/16-18 x 3/4 | 216 | 532 19 61-31 | Bracket Pulley Idler |
| 143 | 817 49 05-08 | Screw 5/16-18 x 1/2 | 221 | 532 40 31-87 | Retainer Spring Clip Handle |
| 153 | 532 12 47-88 | Retainer Spring 1" | 222 | 879 21 20-10 | Washer 21/32 x 1-1/4 10 Ga. |
| 159 | 876 02 04-12 | Pin Cotter 1/8 x 3/4 | 225 | 532 40 33-19 | Keeper Belt Transaxle |
| 160 | 532 16 94-84 | Retainer Clip | 226 | 532 40 15-64 | Bracket Strap Torque |
| 161 | 532 10 57-09 | Spring, Return, Clutch | 227 | 817 49 05-12 | Screw 5/16-18 x 3/4 |
| 163 | 532 44 82-75 | Rod Control | 230 | 532 18 89-67 | Washer .793 x 1.637 x 060 |
| 166 | 532 42 91-64 | Nut Push | | | |
| 167 | 532 40 52-57 | Latch Brake Parking | | | |

NOTE: All component dimensions given in U.S. inches
1 inch = 25.4 mm

TRACTOR - - MODEL NUMBER YTH22V46 (96045004200), PRODUCT NO. 960 45 00-42
ENGINE



TRACTOR - - MODEL NUMBER YTH22V46 (96045004200), PRODUCT NO. 960 45 00-42 ENGINE

| KEY NO. | PART NO. | DESCRIPTION |
|---------|--------------|--|
| 1 | -- -- -- -- | Engine B&S Model No. 407777-5195-G5 (581082101)(Order parts from engine manufacturer.) |
| 2 | 532 44 59-62 | Muffler |
| 9 | 532 19 43-20 | Keeper Belt Engine |
| 12 | 532 40 54-72 | Pulley Engine |
| 15 | 532 41 41-51 | Tank Fuel |
| 18 | 532 43 92-08 | Cap Asm |
| 20 | 532 42 35-02 | Control Throttle |
| 21 | 532 41 63-58 | Screw # 10 x 0.750 |
| 28 | 532 40 11-35 | Fuel Line |
| 29 | 532 13 71-80 | Spark Arrester Kit |
| 37 | 532 12 34-87 | Clamp Hose |
| 42 | 810 04 07-00 | Washer Lock 7/16 |
| 45 | 873 51 04-00 | Nut Keps Hex 1/4-20 unc |
| 62 | 532 43 40-17 | Shield Heat Muffler |
| 69 | 532 16 53-91 | Gasket |
| 70 | 532 15 99-55 | Tube Exhaust LH |
| 71 | 532 16 05-89 | Tube Exhaust RH |
| 79 | 532 18 39-06 | Screw 5/16-18 x 1 |
| 81 | 532 14 84-56 | Tube Drain Oil Easy |
| 82 | 532 42 82-87 | Valve Oil Drain |
| 84 | 817 06 06-20 | Screw 3/8-16 x 1 |
| 85 | 532 17 39-37 | Bolt Hex 7/16-20 x 4 x Gr. 5-1.5 Thr |
| 87 | 537 17 18-77 | Bolt 5/16-18 unc x 3/4 w/Sems |
| 90 | 817 00 06-16 | Screw 3/8-16 x 1 |
| 91 | 532 18 74-95 | Bushing |
| 109 | 532 41 41-14 | Canister Carbon Filter |
| 110 | 532 41 41-18 | Valve Asm. Anti-Slosh |
| 113 | 532 41 41-27 | Valve Slant Cartrdg. |
| 138 | 532 41 41-19 | Purge Line |

NOTE: All component dimensions given in U.S. inches
1 inch = 25.4 mm

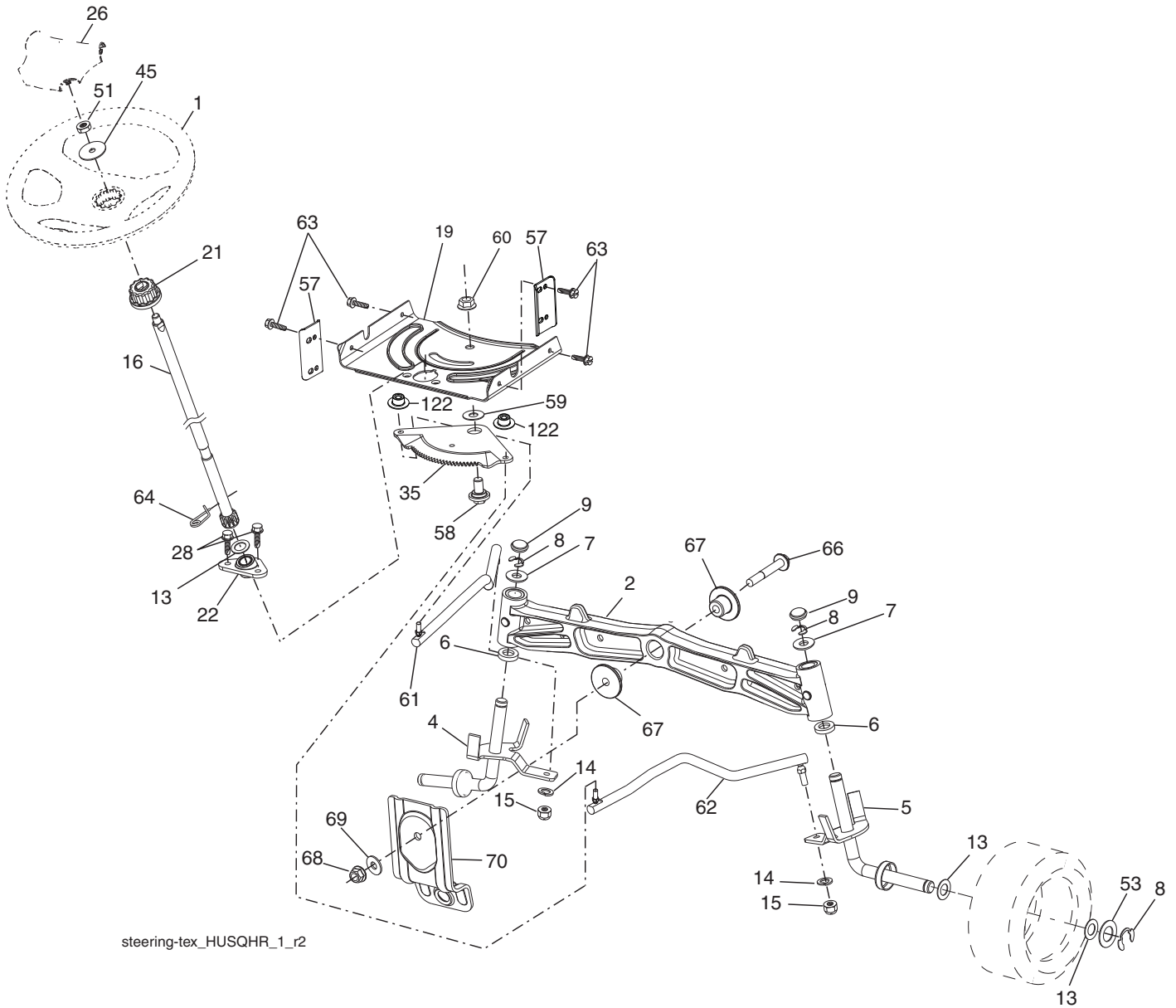
For engine service and replacement parts, call the toll free number for your engine manufacturer listed below:

Briggs & Stratton 1-800-233-3723

Engine Power Rating Information

The gross power rating for individual gas engine models is labeled in accordance with SAE (Society of Automotive Engineers) code J1940 (Small Engine Power & Torque Rating Procedure), and rating performance has been obtained and corrected in accordance with SAE J1995 (Revision 2002-05). Torque values are derived at 3060 RPM; horsepower values are derived at 3600 RPM. Actual gross engine power will be lower and is affected by, among other things, ambient operating conditions and engine-to-engine variability. Given both the wide array of products on which engines are placed and the variety of environmental issues applicable to operating the equipment, the gas engine will not develop the rated gross power when used in a given piece of power equipment (actual "on-site" or net power). This difference is due to a variety of factors including, but not limited to, accessories (air cleaner, exhaust, charging, cooling, carburetor, fuel pump, etc.), application limitations, ambient operating conditions (temperature, humidity, altitude), and engine-to-engine variability. Due to manufacturing and capacity limitations, Briggs & Stratton may substitute an engine of higher rated power for this Series engine.

TRACTOR - - MODEL NUMBER YTH22V46 (96045004200), PRODUCT NO. 960 45 00-42
STEERING ASSEMBLY



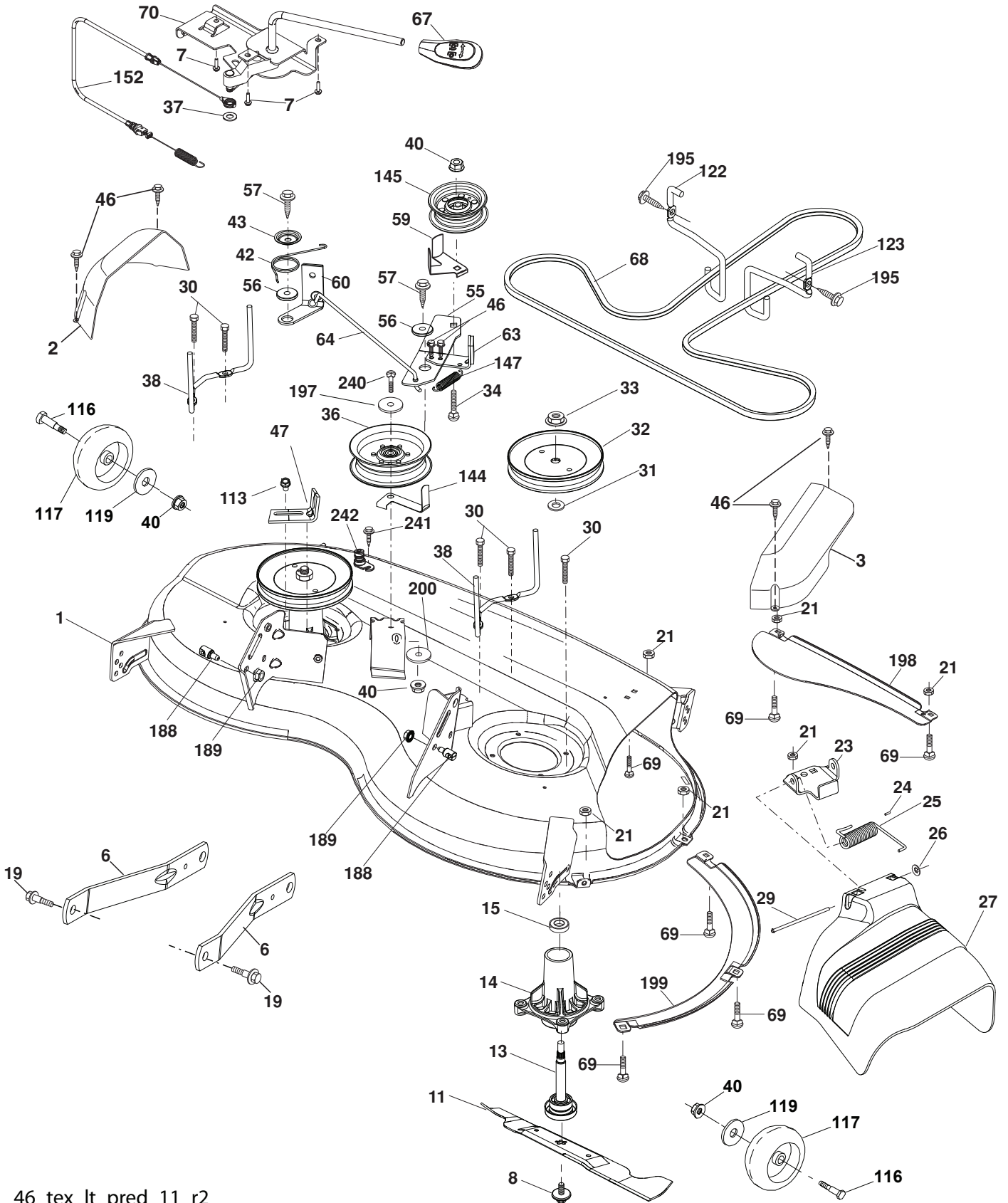
steering-tex_HUSQHR_1_r2

**TRACTOR - - MODEL NUMBER YTH22V46 (96045004200), PRODUCT NO. 960 45 00-42
STEERING ASSEMBLY**

| KEY NO. | PART NO. | DESCRIPTION |
|----------------|-----------------|----------------------------------|
| 1 | 532 43 97-40 | Wheel, Steering |
| 2 | 532 19 59-68 | Axle Cast Iron |
| 4 | 532 40 30-87 | Spindle Asm., LH |
| 5 | 532 40 30-88 | Spindle Asm., RH |
| 6 | 532 12 49-31 | Washer, Thrust |
| 7 | 532 12 17-48 | Washer 25/32 x 1-5/8 x 16 Ga. |
| 8 | 812 00 00-29 | Ring, Klip #T5304-75 |
| 9 | 532 12 12-32 | Cap, Spindle |
| 13 | 532 12 17-49 | Washer 25/32 x 1-1/4 x 16 Ga. |
| 14 | 810 04 06-00 | Washer, Lock Hvy Hlcl Spr 3/8 |
| 15 | 873 54 06-00 | Nut, Crown Lock 3/8-24 unf |
| 16 | 532 40 82-19 | Shaft Steering |
| 19 | 532 19 47-29 | Plate Steering |
| 21 | 532 18 67-37 | Adapter, Wheel Steering |
| 22 | 532 42 05-37 | Steering Support |
| 26 | 532 43 97-43 | Insert, Wheel Steering |
| 28 | 817 00 06-12 | Screw 3/8-16 x 3/4 |
| 35 | 532 19 47-32 | Gear, Sector Plate |
| 45 | 819 18 38-12 | Washer 9/16 ID x 2-3/8 OD 12 Ga. |
| 51 | 873 94 08-00 | Nut Hex Jam Toplock 1/2-20 unf |
| 53 | 532 18 89-67 | Washer Hardened .793x1.637x.060 |
| 57 | 532 40 74-65 | Bracket Upstop |
| 58 | 532 19 47-47 | Bolt Shoulder Sector Pivot CFM |
| 59 | 532 19 47-48 | Washer Thrust Sector Steering |
| 60 | 873 97 10-00 | Nut Flange Lock 5/8-11 |
| 61 | 532 19 47-40 | Draglink, LH |
| 62 | 532 19 47-41 | Draglink, RH |
| 63 | 817 00 05-12 | Screw 5/16-18 x 3/4 |
| 64 | 532 19 98-49 | Retainer Clip Spring Steering |
| 66 | 871 02 07-48 | Bolt Hex Fghd 7/16-14 x 3 Serr |
| 67 | 532 19 47-37 | Bushing PM Front Axle |
| 68 | 873 90 07-00 | Nut Lock Flange 7/16-14 Gr. 5 |
| 69 | 532 19 91-62 | Washer 1.5 x .505 x .118 |
| 70 | 532 19 61-97 | Bracket Deck Susp. Front |
| 122 | 532 44 49-62 | Cap Gear |

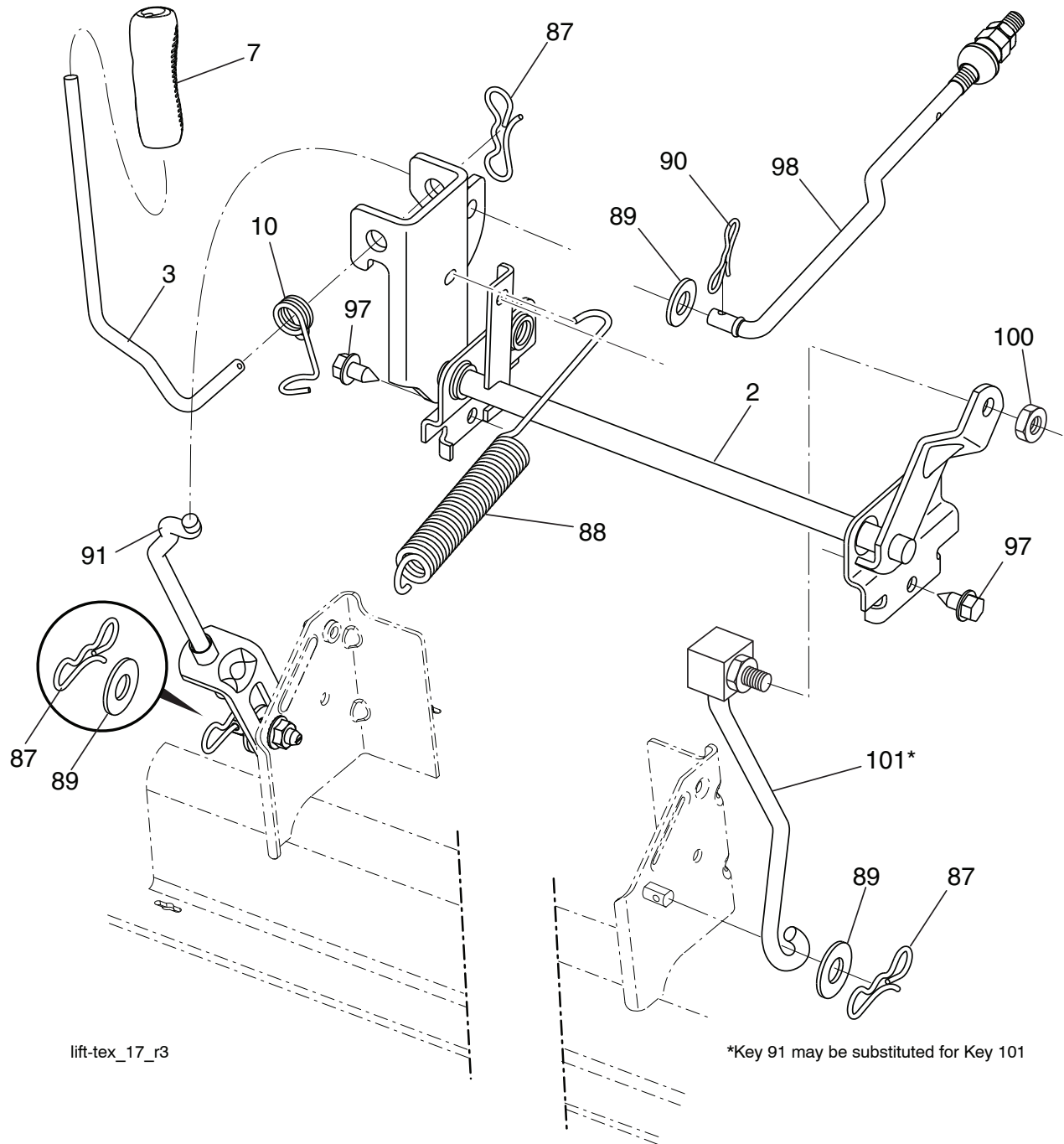
NOTE: All component dimensions given in U.S. inches
1 inch = 25.4 mm

**TRACTOR - - MODEL NUMBER YTH22V46 (96045004200), PRODUCT NO. 960 45 00-42
MOWER DECK**



46_tex_lt_pred_11_r2

**TRACTOR - - MODEL NUMBER YTH22V46 (96045004200), PRODUCT NO. 960 45 00-42
MOWER LIFT**



lift-tex_17_r3

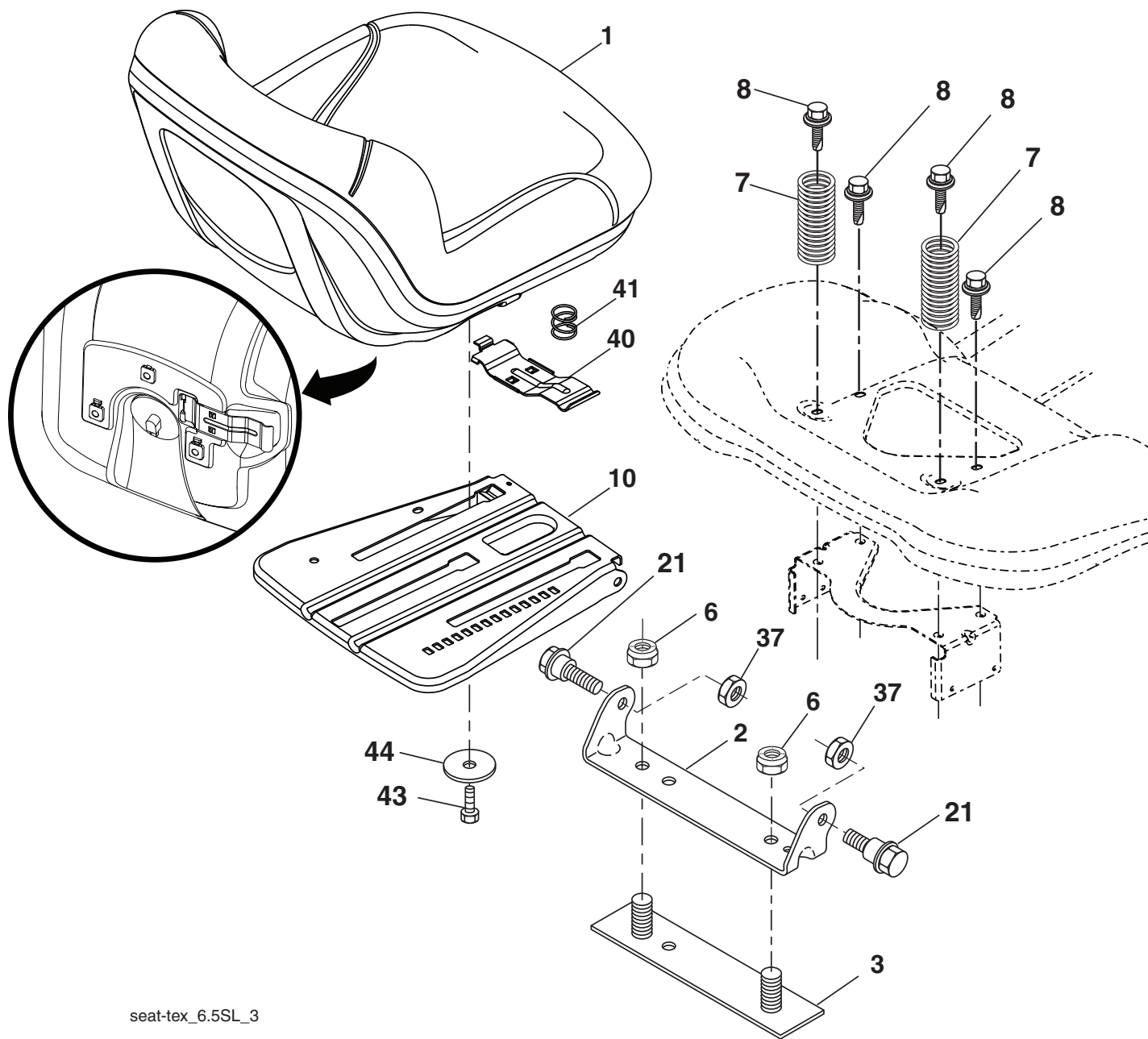
*Key 91 may be substituted for Key 101

| KEY NO. | PART NO. | DESCRIPTION |
|---------|--------------|------------------------------|
| 2 | 532 42 20-27 | Shaft Asm., Lift |
| 3 | 532 19 52-31 | Lever Asm., Lift RH |
| 7 | 580 96 23-01 | Grip, Lever |
| 10 | 532 19 63-14 | Spring Torsion |
| 87 | 532 19 42-09 | Pin Cotter 7/16 Bow Tie Lock |
| 88 | 532 41 07-10 | Spring Lift Assist |
| 89 | 819 19 19-12 | Washer Clear Zinc |
| 90 | 532 19 42-08 | Pin Cotter 5/16 Bow Tie Lock |
| 91 | 532 19 51-81 | Link Lift Susp Mower Rear |

| KEY NO. | PART NO. | DESCRIPTION |
|---------|--------------|----------------------------------|
| 97 | 817 00 06-12 | Screw 3/8-16 x .75 Smgml Tap/R.Z |
| 98 | 532 19 52-70 | Link Lift Susp. Front Mower |
| 100 | 873 93 06-00 | Nut Center Lock 3/8-16 unc |
| 101 | 532 40 70-03 | Link Asm Lift Fixed |

NOTE: All component dimensions given in U.S. inches
1 inch = 25.4 mm

**TRACTOR - - MODEL NUMBER YTH22V46 (96045004200), PRODUCT NO. 960 45 00-42
SEAT ASSEMBLY**



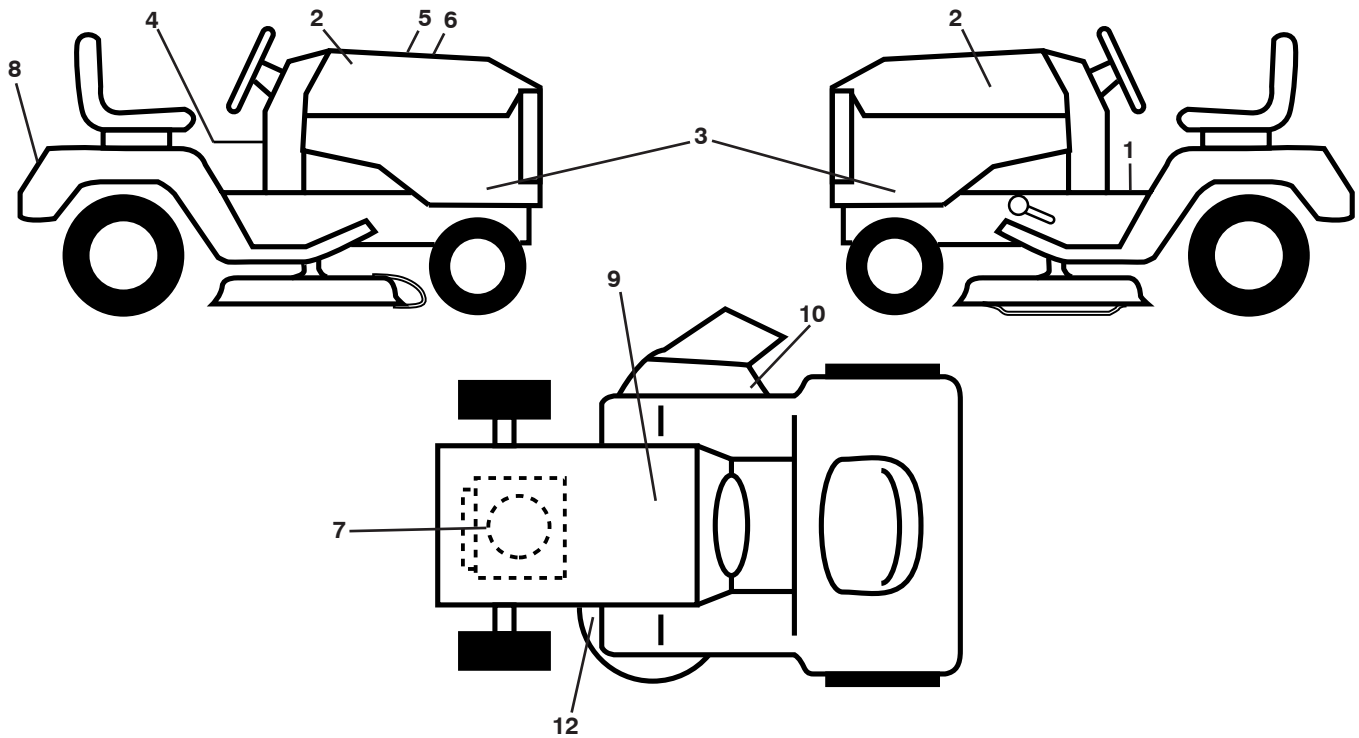
seat-tex_6.5SL_3

| KEY NO. | PART NO. | DESCRIPTION |
|---------|--------------|-------------------------------|
| 1 | 532 43 98-22 | Seat |
| 2 | 532 18 01-66 | Bracket Pivot Fender |
| 3 | 532 14 06-75 | Strap, Asm Fender |
| 6 | 873 80 06-00 | Nut, Lock w/Ins. 3/8-16 unc |
| 7 | 532 12 41-81 | Spring, Seat Cprsn |
| 8 | 532 17 18-77 | Bolt 5/16-18 unc x 3/4 w/Sems |
| 10 | 532 19 69-77 | Pan, Seat |
| 21 | 532 17 18-52 | Bolt, Shoulder 5/16-18 |

| KEY NO. | PART NO. | DESCRIPTION |
|---------|--------------|-------------------------------|
| 37 | 873 80 05-00 | Nut, Lock 5/16-18 unc |
| 40 | 532 19 76-61 | Handle Slide Seat |
| 41 | 532 19 82-00 | Spring Latch Seat |
| 43 | 874 76 06-12 | Bolt Fin Hex 3/8-16 unc x 3/4 |
| 44 | 819 13 38-12 | Washer 13/32 x 2-3/8 x 12 Ga. |

NOTE: All component dimensions given in U.S. inches
1 inch = 25.4 mm

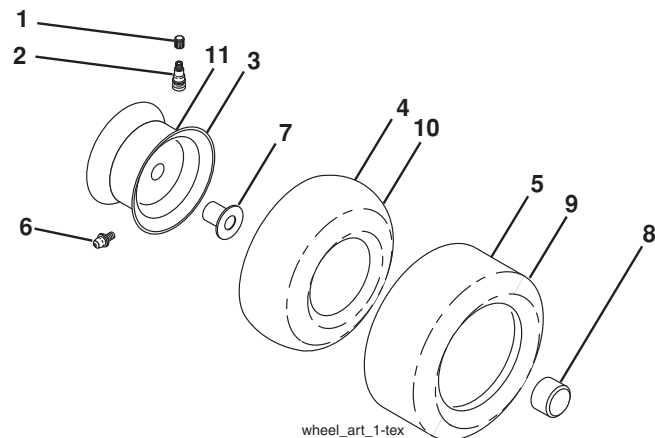
**TRACTOR - - MODEL NUMBER YTH22V46 (96045004200), PRODUCT NO. 960 45 00-42
DECALS**



| KEY NO. | PART NO. | DESCRIPTION |
|---------|--------------|--------------------------|
| 1 | 532 41 91-38 | Decal, Fender Warning |
| 2 | 532 42 91-96 | Decal, Hood |
| 3 | 581 59 42-01 | Decal, Hood Panel SD |
| 4 | 532 42 41-02 | Decal, Bypass |
| 5 | 532 42 38-29 | Decal, Customer Respons. |
| 6 | 581 58 17-02 | Decal, Replacement |
| 7 | 581 25 85-01 | Decal, Engine |
| 8 | 532 19 15-54 | Decal, Fender |
| 9 | 532 14 50-05 | Decal, Battery Dnge/Poi |
| 10 | 532 17 05-63 | Decal, Mower Warning |

| KEY NO. | PART NO. | DESCRIPTION |
|---------|--------------|--|
| 12 | 532 16 03-96 | Decal, Mower V-Belt Schematic |
| -- | 532 16 69-60 | Decal, Bypass |
| -- | 580 88 58-01 | Decal, E85 Warning |
| -- | 532 43 96-81 | Pad, Footrest, LH |
| -- | 532 43 96-82 | Pad, Footrest, RH |
| -- | 581 60 40-49 | Manual, Operator's (English/ Spanish) |
| -- | 581 60 39-47 | Manual, Parts (English/Spanish) |

WHEELS AND TIRES

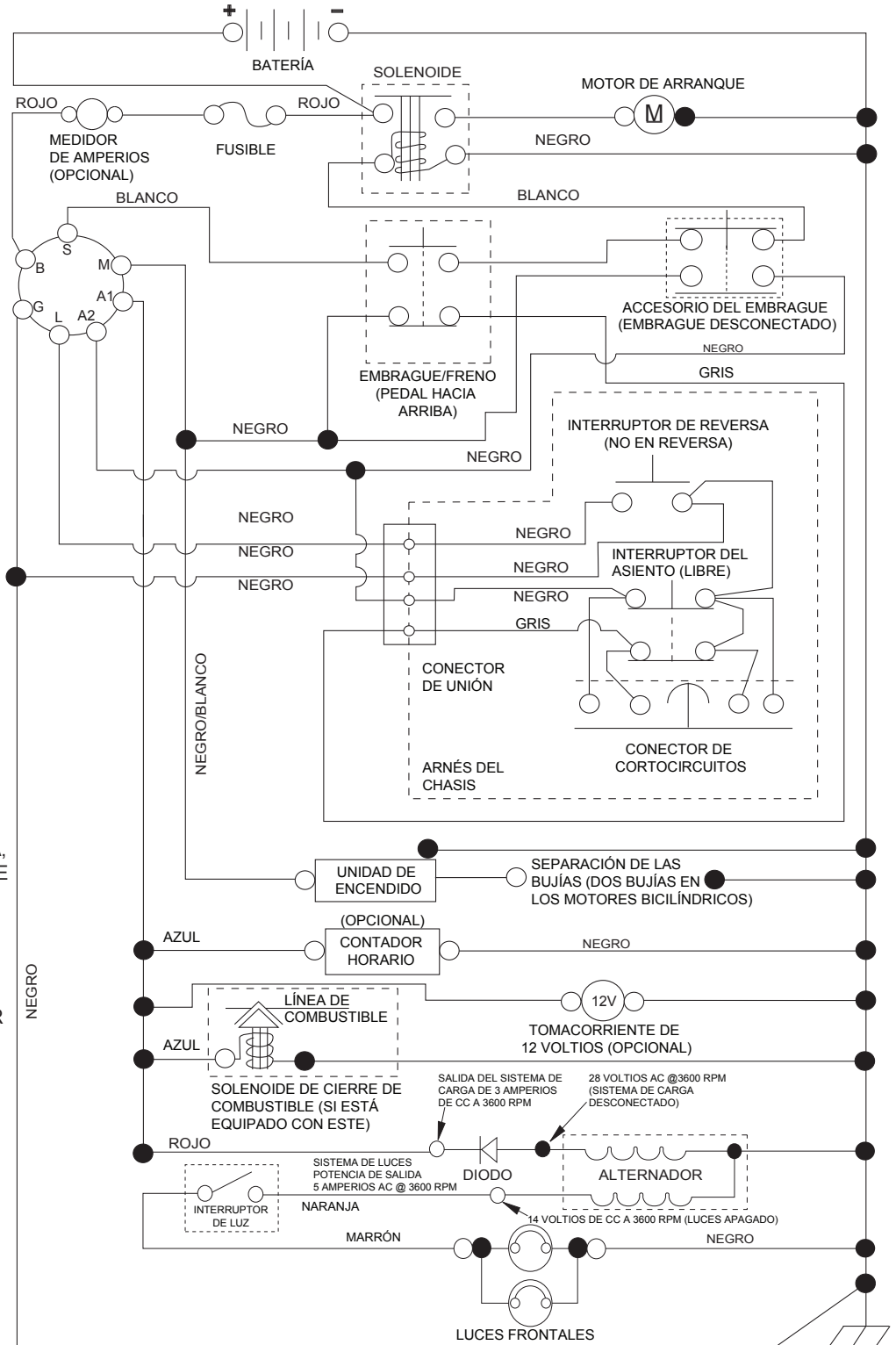


| KEY NO. | PART NO. | DESCRIPTION |
|---------|--------------|-----------------------------------|
| 1 | 532 05 91-92 | Cap Valve Tire |
| 2 | 532 06 51-39 | Stem Valve |
| 3 | 532 13 83-36 | Rim Front |
| 4 | 532 05 99-04 | Tube Front (Service Item Only) |
| 5 | 532 10 62-22 | Tire Front 15 x 6.0-6 |
| 6 | 532 12 49-57 | Fitting Grease (Front Wheel Only) |
| 7 | 532 12 49-59 | Bearing Flange (Front Wheel Only) |
| 8 | 532 17 50-39 | Cap Axle Blk 1 50 x 1 00 |
| 9 | 532 13 84-68 | Tire R 20 x 8-8 Turf Saver LT |
| 10 | 532 12 49-26 | Tube Rear (Service Item Only) |
| 11 | 532 13 83-37 | Rim Asm 8" Rear |
| -- | 532 14 43-34 | Sealant, Tire (10 oz. Tube) |

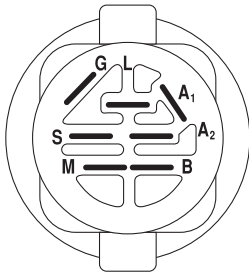
NOTE: All component dimensions given in U.S. inches
1 inch = 25.4 mm

TRACTOR MODELO NO. YTH22V46 (96045004200), PRODUCTO NO. 960 45 00-42 DIAGRAMA

SCH11-s

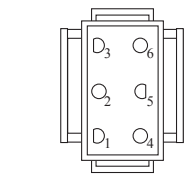


NOTAS:
QUE SU TRACTOR ES EQUIPADO CON UN SISTEMA ESPECIAL DE ALTERNADOR. LAS LUCES NO SON CONECTADAS A LA BATERIA, PERO TIENEN SU PROPIA FUENTE ELECTRICA. A CAUSA DE ESTO, EL BRILLO DE LAS LUCES CAMBIARA CON LA VELOCIDAD DE MOTOR. EN LENTO, LAS LUCES NO SON COMO BRILLANTES. CUANDO EL MOTOR ES ACCELERADO, LA LUZ CONSEGUIRÁ MÁS BRILLANTE.

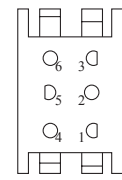


INTERRUPTOR DE ENCENDIDO

| POSICIÓN | CIRCUITO «MARCA» |
|--------------------------------|------------------|
| APAGADO | M+G+A1 |
| PONER EN FUNCIONAMIENTO/ANULAR | B+A1 |
| PONER EN FUNCIONAMIENTO | B+A1 L+A2 |
| ARRANCAR | B + S + A1 |



CONEXIÓN DEL ARNÉS DEL CHASIS (LATERAL QUE COINCIDA)



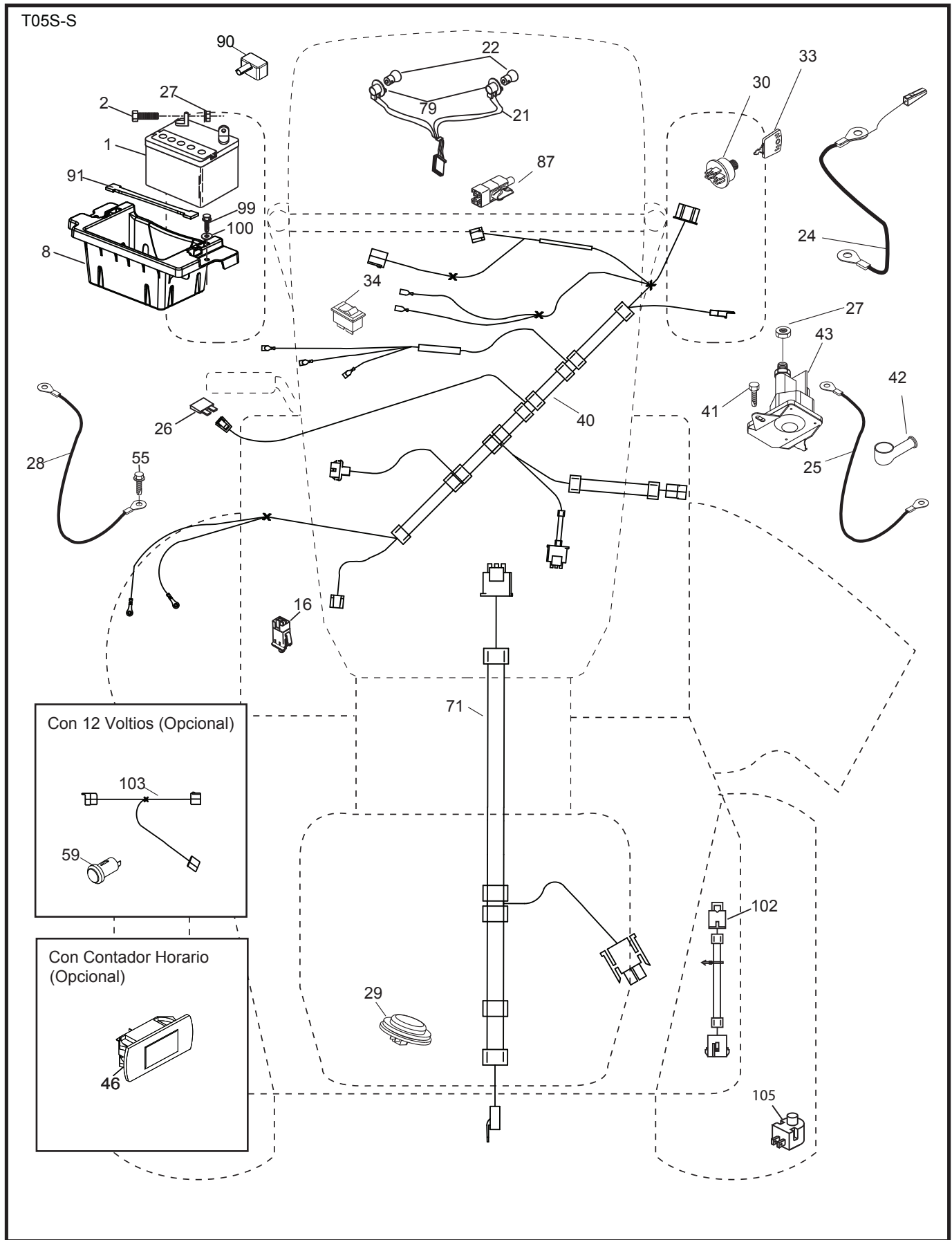
CONEXIÓN PARA EL ARNÉS DEL TABLERO (LATERAL QUE COINCIDA)

NOTA SOBRE LAS ABRAZADERAS DE AISLAMIENTO DEL CABLEADO: SI SE QUITAN LAS ABRAZADERAS DE AISLAMIENTO DEL CABLEADO PARA HACER EL MANTENIMIENTO DE LA UNIDAD, SE LAS DEBERÁ INSTALAR NUEVAMENTE PARA PROTEGER EL CABLEADO ADECUADAMENTE.

● CONEXIONES NO DESMONTABLES

○ CONEXIONES DESMONTABLES

TRACTOR MODELO NO. YTH22V46 (96045004200), PRODUCTO NO. 960 45 00-42
DIAGRAMA ELÉCTRICO

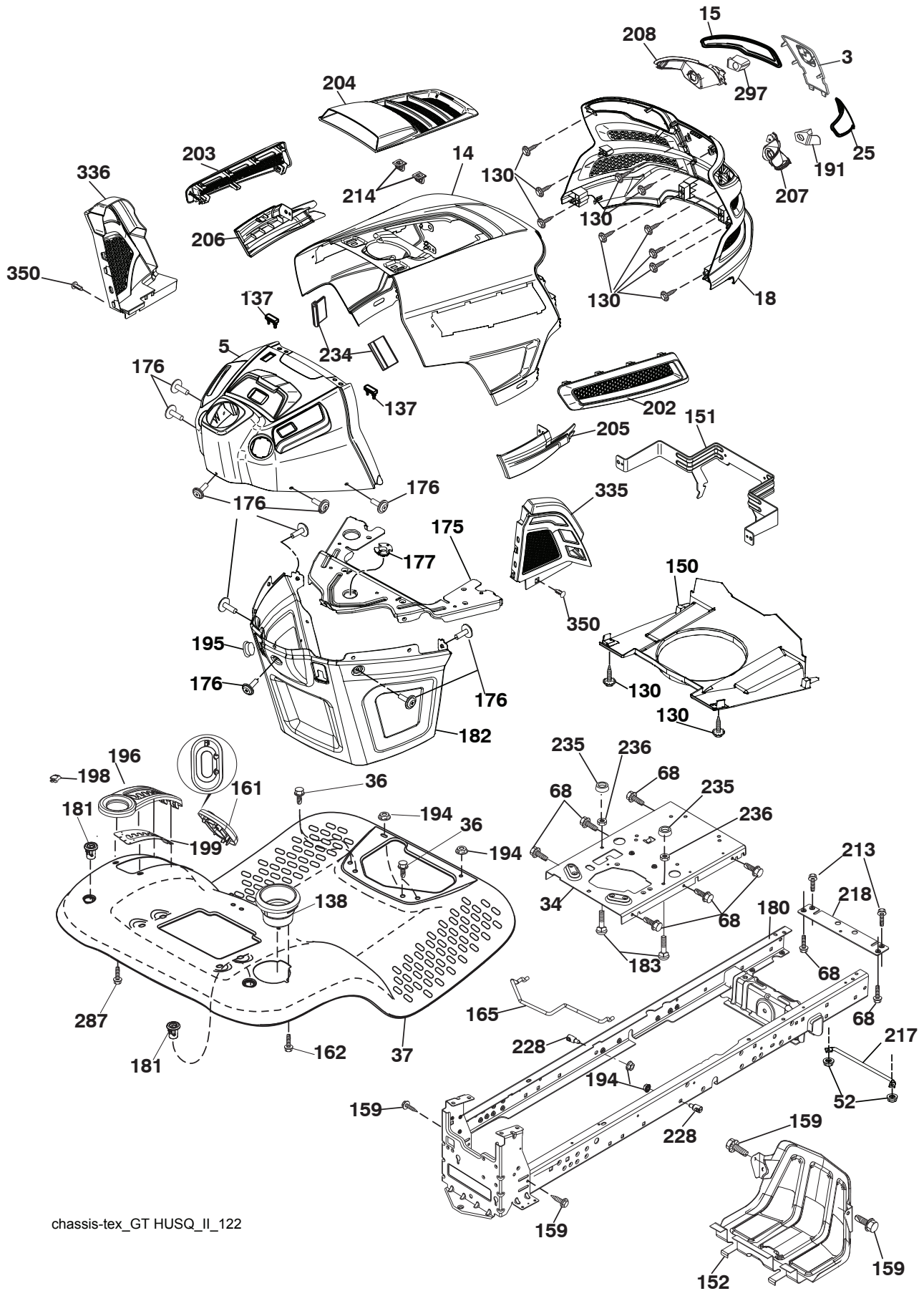


**TRACTOR MODELO NO. YTH22V46 (96045004200), PRODUCTO NO. 960 45 00-42
DIAGRAMA ELÉCTRICO**

| CÓDIGO No. | PIEZA No. | DESCRIPCIÓN |
|-----------------------|----------------------|---|
| 1 | 532 16 34-65 | Batería |
| 2 | 874 76 04-12 | Perno de cabeza hexagonal de 1/4-20 x 3/4 |
| 8 | 532 41 41-26 | Caja de la batería |
| 16 | 532 17 61-38 | Interruptor corta corriente a presión |
| 21 | 532 40 02-52 | Cableado del enchufe para la luz c/4152J |
| 22 | 532 00 41-52 | Bombilla de luz |
| 24 | 532 40 02-53 | Cable de batería |
| 25 | 532 41 28-95 | Cable |
| 26 | 532 17 51-58 | Fusible |
| 27 | 873 51 04-00 | Tuerca hexagonal keps de 1/4-20 unc |
| 28 | 532 14 54-91 | Cable a tierra |
| 29 | 532 40 15-45 | Interruptor del asiento |
| 30 | 532 19 33-50 | Interruptor de encendido |
| 33 | 532 41 19-33 | Llave/cadena |
| 34 | 532 11 07-12 | Interruptor de luz/de restauración |
| 40 | 532 40 10-98 | Cableado del tablero de encendido |
| 41 | 817 72 04-08 | Tornillo |
| 42 | 532 13 15-63 | Cubierta de la terminal |
| 43 | 532 19 25-07 | Solenoides |
| 46 | 532 40 17-63 | Indicador SRVCMNDR HRMTR |
| 55 | 817 06 05-12 | Tornillo de 5/16-18 x 3/4 |
| 71 | 532 19 42-76 | Cableado de Chasis |
| 79 | 532 17 52-42 | Enchufe de cierre por torsión del ensamble de la bombilla |
| 87 | 532 19 78-02 | Interruptor corta corriente del cable de embrague |
| 90 | 532 43 53-95 | Tapa de los bornes de la batería |
| 91 | 532 19 02-70 | Correa de batería |
| 99 | 817 67 04-12 | Tornillo 1/4-20 x 4 |
| 100 | 819 09 14-16 | Arandela 9/32 x 7/8 x calibre 16 |
| 102 | 532 40 44-54 | Cableado |
| 105 | 532 40 75-68 | Interruptor |

NOTA: Las dimensiones de todos los componentes están expresadas en pulgadas americanas. 1 pulgada = 25,4 mm

TRACTOR MODELO NO. YTH22V46 (96045004200), PRODUCTO NO. 960 45 00-42
 CHASIS



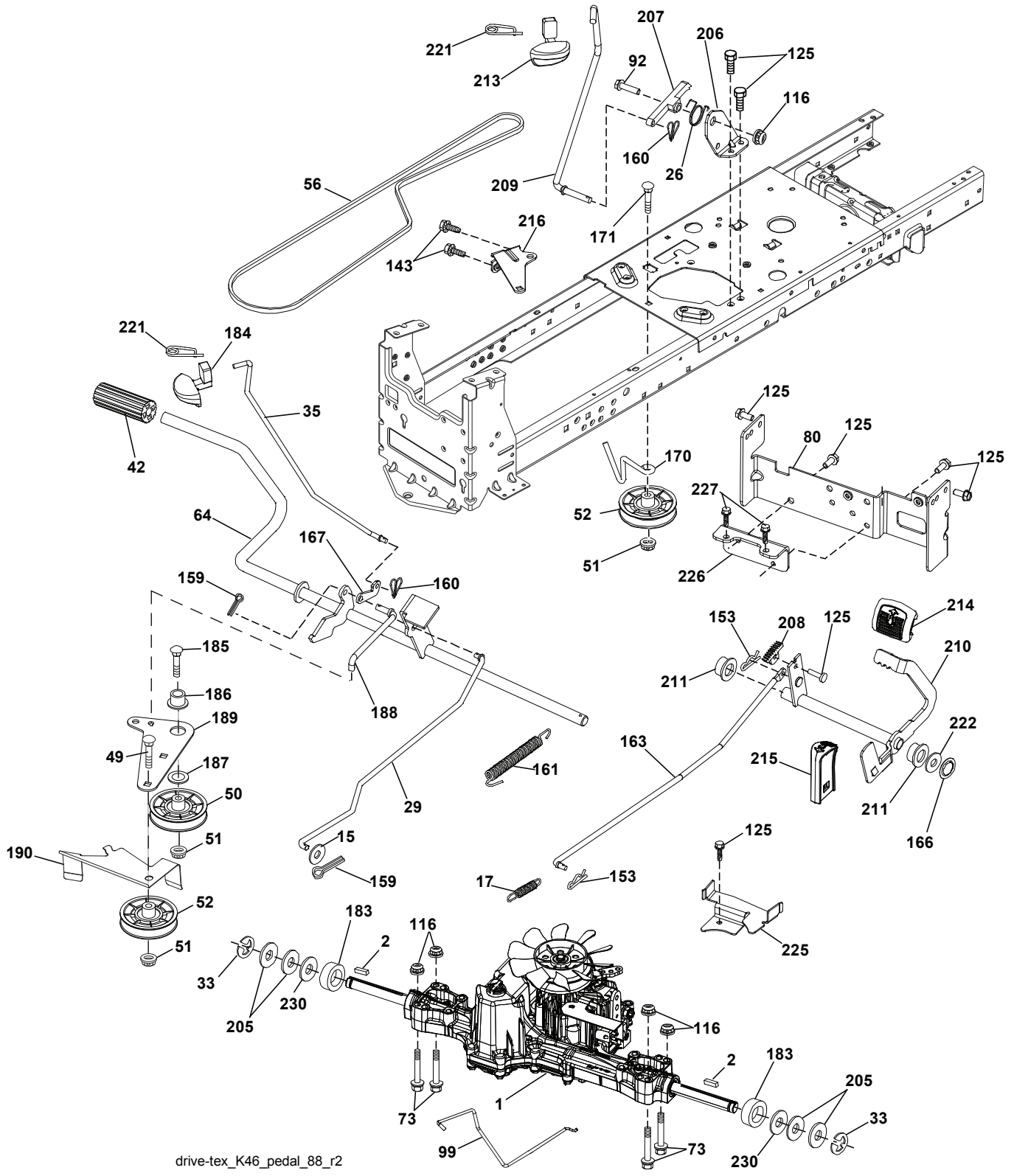
chassis-tex_GT HUSQ_II_122

**TRACTOR MODELO NO. YTH22V46 (96045004200), PRODUCTO NO. 960 45 00-42
CHASIS**

| CÓDIGO No. | PIEZA No. | DESCRIPCIÓN | CÓDIGO No. | PIEZA No. | DESCRIPCIÓN |
|-------------------|------------------|---|-------------------|------------------|--|
| 3 | 532 44 44-81 | Aplica Submontaje | 195 | 532 40 41-37 | Tapón |
| 5 | 581 46 69-01 | Tablero | 196 | 532 43 96-47 | Ensamble de la consola de la plataforma de elevación |
| 14 | 532 44 11-77 | Capota | 198 | 532 44 15-52 | Indicador de conjunto segador |
| 15 | 532 43 97-33 | Lente izquierdo de la parrilla | 199 | 532 41 34-85 | Placa de plataforma de elevación |
| 18 | 532 44 06-53 | Parrilla | 202 | 532 43 97-28 | Salida de Ventilación (LD) |
| 25 | 532 44 33-85 | Lente derecho de la parrilla | 203 | 532 43 97-27 | Salida de Ventilación (LI) |
| 34 | 580 91 08-01 | Chapa Motor | 204 | 532 43 57-14 | Salida de Ventilación superior |
| 36 | 817 06 05-12 | Tornillo de 5/16-18 x 3/4 | 205 | 532 43 97-30 | Camisa de Capota (LD) |
| 37 | 532 44 12-69 | Guardabarros | 206 | 532 43 97-29 | Camisa de Capota (LI) |
| 52 | 873 68 05-00 | Tuerca de presión 5/16-18 | 207 | 532 43 97-34 | Bisel derecho |
| 68 | 817 49 05-08 | Tornillo de 5/16-18 x 1/2 | 208 | 532 43 97-35 | Bisel izquierdo |
| 130 | 532 41 63-58 | Tornillo No. 10 x 0,75 | 213 | 874 76 05-12 | Perno |
| 137 | 532 40 75-90 | Cubierta Tablero | 214 | 532 19 91-45 | Cierre |
| 138 | 532 43 97-47 | Portavasos | 217 | 532 40 91-67 | Varilla giratoria |
| 150 | 532 43 97-74 | Cubierta térmica del conducto | 218 | 532 19 63-95 | Tope |
| 151 | 532 43 66-70 | Soporte | 228 | 532 19 51-61 | Sujetador del travesaño |
| 152 | 532 43 98-70 | Protector contra oscurecimiento | 234 | 532 40 47-42 | Cubierta Capota |
| 159 | 817 00 06-12 | Tornillo 3/8-16 x 3/4 | 235 | 532 40 61-29 | Separador del guardabarros |
| 161 | 532 43 97-81 | Ventana de combustible | 236 | 873 93 05-00 | Tuerca de presión 5/16-18 unc |
| 162 | 532 14 24-32 | Tornillo | 287 | 817 60 04-06 | Tornillo 1/4 - 20 x 3/8 |
| 165 | 532 19 68-26 | Trasero apoyo de tanque | 297 | 532 43 74-56 | Inserto LI |
| 175 | 532 19 63-04 | Travesaño | 335 | 532 44 82-04 | Cubierta LD |
| 176 | 532 40 07-76 | Tornillo de 10-24 x 5/8 | 336 | 532 44 53-09 | Cubierta LI |
| 177 | 532 19 52-27 | Buje de dirección | 350 | 532 43 81-37 | Clip del árbol de navidad |
| 180 | 532 19 54-57 | Chasis | | | |
| 181 | 532 43 97-46 | Buje de soporte del guardabarros de carga | | | |
| 182 | 532 40 68-59 | Tablero inferior | | | |
| 183 | 874 52 05-20 | Perno 5/16-18 x 1-1/4 | | | |
| 191 | 532 43 74-55 | Inserto LD | | | |
| 194 | 873 90 05-00 | Tuerca de presión de 5/16-18 | | | |

NOTA: Las dimensiones de todos los componentes están expresadas en pulgadas americanas. 1 pulgada = 25,4 mm

**TRACTOR MODELO NO. YTH22V46 (96045004200), PRODUCTO NO. 960 45 00-42
TRANSMISIÓN**

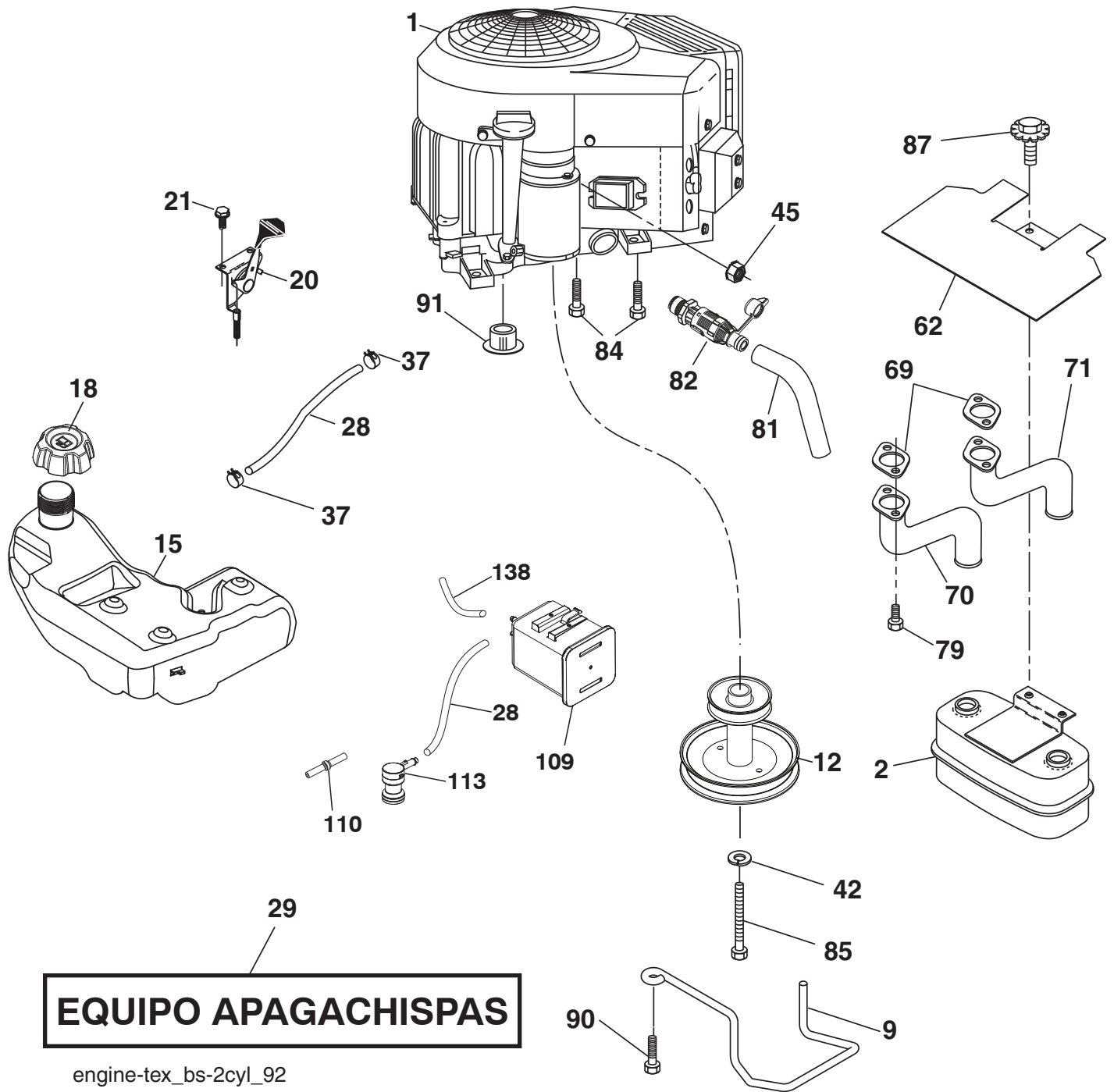


drive-tex_K46_pedal_88_r2

**TRACTOR MODELO NO. YTH22V46 (96045004200), PRODUCTO NO. 960 45 00-42
TRANSMISIÓN**

| CÓDIGO No. | PIEZA No. | DESCRIPCIÓN | CÓDIGO No. | PIEZA No. | DESCRIPCIÓN |
|-----------------------|----------------------|--|-----------------------|----------------------|---|
| 1 | --- | Transeje, TUFFTORQ K46BT (426120) (Haga el pedido de las piezas al fabricante del transeje.) | 171 | 872 11 06-16 | Perno |
| 2 | 532 12 35-83 | Cuña | 183 | 532 13 70-57 | Separador del eje |
| 15 | 819 13 13-16 | Arandelade13/32x13/16xcalibre 16 | 184 | 532 44 14-55 | Manija del freno de mano |
| 17 | 532 41 36-78 | Resorte de freno | 185 | 872 11 06-22 | Perno |
| 26 | 532 19 96-79 | Crucero con retorno de muelle | 186 | 532 19 43-21 | Espaciador de retención |
| 29 | 532 40 38-06 | Varilla del freno | 187 | 819 13 32-10 | Arandela |
| 33 | 812 00 00-01 | Aro "E" | 188 | 532 19 43-23 | Mecanismo de desplazamiento de la varilla de mando del embrague |
| 35 | 532 43 54-86 | Varilla del freno de mano | 189 | 532 19 43-17 | Palanca acodada del mecanismo de desplazamiento |
| 42 | 532 12 48-72 | Cubierta del pedal | 190 | 532 19 43-18 | Sujetador de la palanca acodada del mecanismo de desplazamiento |
| 49 | 872 11 06-14 | Perno | 205 | 532 12 17-48 | Arandela de 25/32 x 1-5/8 calibre 16 |
| 50 | 532 19 43-27 | Polea loca plana | 206 | 532 19 78-67 | Soporte de montaje del bloqueo del crucero |
| 51 | 873 90 06-00 | Tuerca de presión de 3/8-16 | 207 | 532 19 78-68 | Bloqueo del control del crucero |
| 52 | 532 19 43-26 | Polea loca con ranura en V con un desplazamiento | 208 | 532 19 78-69 | Engranaje del sector de control del crucero |
| 56 | 532 13 09-69 | Correa trapezoidal de la transeje | 209 | 532 19 95-92 | Varilla de control del crucero |
| 64 | 532 19 78-65 | Ensamble del eje Control del pedal de freno | 210 | 532 40 09-80 | Ensamble del balancín del control del pedal |
| 73 | 874 49 05-40 | Perno de 5/16-18 x G.5 | 211 | 532 12 01-83 | Rodamiento de nylon |
| 80 | 532 44 06-19 | Correa de torsión | 213 | 532 40 31-19 | Perilla de control del crucero |
| 92 | 874 76 05-20 | Perno de cabeza hexagonal con aleta de 5/16-18 unc x 1,25 | 214 | 532 42 12-63 | Forro del pedal para avanzar |
| 99 | 532 41 57-42 | Varilla del ensamble con resorte de desviación | 215 | 532 40 17-23 | Forro del pedal para retroceder |
| 116 | 873 90 05-00 | Tuerca de presión hexagonal con brida de 5/16-18 | 216 | 532 19 61-31 | Soporte del Polea |
| 125 | 817 00 05-12 | Tornillo de 5/16-18 x 3/4 | 221 | 532 40 31-87 | Abrazadera de retención del resorte de la manija |
| 143 | 817 49 05-08 | Tornillo de 5/16-18 x 1/2 | 222 | 879 21 20-10 | Arandela de 21/32 x 1-1/4 calibre 10 |
| 153 | 532 12 47-88 | Retén del resorte | 225 | 532 40 33-19 | Sujetador de la correa |
| 159 | 876 02 04-12 | Pasador de chaveta de 1/8 x 3/4 | 226 | 532 40 15-64 | Soporte de la correa de torsión |
| 160 | 532 16 94-84 | Abrazadera de retención | 227 | 817 49 05-12 | Tornillo |
| 161 | 532 10 57-09 | Resorte de retorno del embrague | 230 | 532 18 89-67 | Arandela |
| 163 | 532 44 82-75 | Varilla de control | | | |
| 166 | 532 42 91-64 | Tuerca de presión | | | |
| 167 | 532 40 52-57 | Pestillo del freno de mano | | | |
| 170 | 532 19 43-22 | Sujetador de la correa | | | |

NOTA: Las dimensiones de todos los componentes están expresadas en pulgadas americanas. 1 pulgada = 25,4 mm



TRACTOR MODELO NO. YTH22V46 (96045004200), PRODUCTO NO. 960 45 00-42 MOTOR

| CÓDIGO PIEZA | | DESCRIPCIÓN |
|--------------|--------------|---|
| No. | No. | |
| 1 | — — — — — | Motor B&S modelo No. 407777-5195-G5 (581082101) (Haga el pedido de las piezas al fabricante del motor.) |
| 2 | 532 44 59-62 | Silenciador |
| 9 | 532 19 43-20 | Ensamble del sujetador de la correa del motor |
| 12 | 532 40 54-72 | Polea del motor |
| 15 | 532 41 41-51 | Tanque de combustible |
| 18 | 532 43 92-08 | Ensamble de la tapa |
| 20 | 532 42 35-02 | Control del regulador |
| 21 | 532 41 63-58 | Tornillo No. 10 x 0,75 |
| 28 | 532 40 11-35 | Línea de combustible |
| 29 | 532 13 71-80 | Equipo apagachispas |
| 37 | 532 12 34-87 | Abrazadera de la manguera |
| 42 | 810 04 07-00 | Arandela de presión de 7/16 |
| 45 | 873 51 04-00 | Tuerca |
| 62 | 532 43 40-17 | Protector |
| 69 | 532 16 53-91 | Junta |
| 70 | 532 15 99-55 | Tubo de escape LI |
| 71 | 532 16 05-89 | Tubo de escape LD |
| 79 | 532 18 39-06 | Tornillo 5/16-18 x 1 |
| 81 | 532 14 84-56 | Tubo de fácil drenaje de aceite |
| 82 | 532 42 82-87 | Conector del drenaje de aceite |
| 84 | 817 06 06-20 | Tornillo 3/8-16 x 1 |
| 85 | 532 17 39-37 | Perno de 7/16-20 x 4 |
| 87 | 537 17 18-77 | Perno de 5/16-18 |
| 90 | 817 00 06-16 | Tornillo 3/8-16 x 1 |
| 91 | 532 18 74-95 | Tornillo Buje |
| 109 | 532 41 41-14 | Bote |
| 110 | 532 41 41-18 | Válvula |
| 113 | 532 41 41-27 | Válvula |
| 138 | 532 41 41-19 | Línea de purge |

NOTA: Las dimensiones de todos los componentes están expresadas en pulgadas americanas. 1 pulgada = 25,4 mm

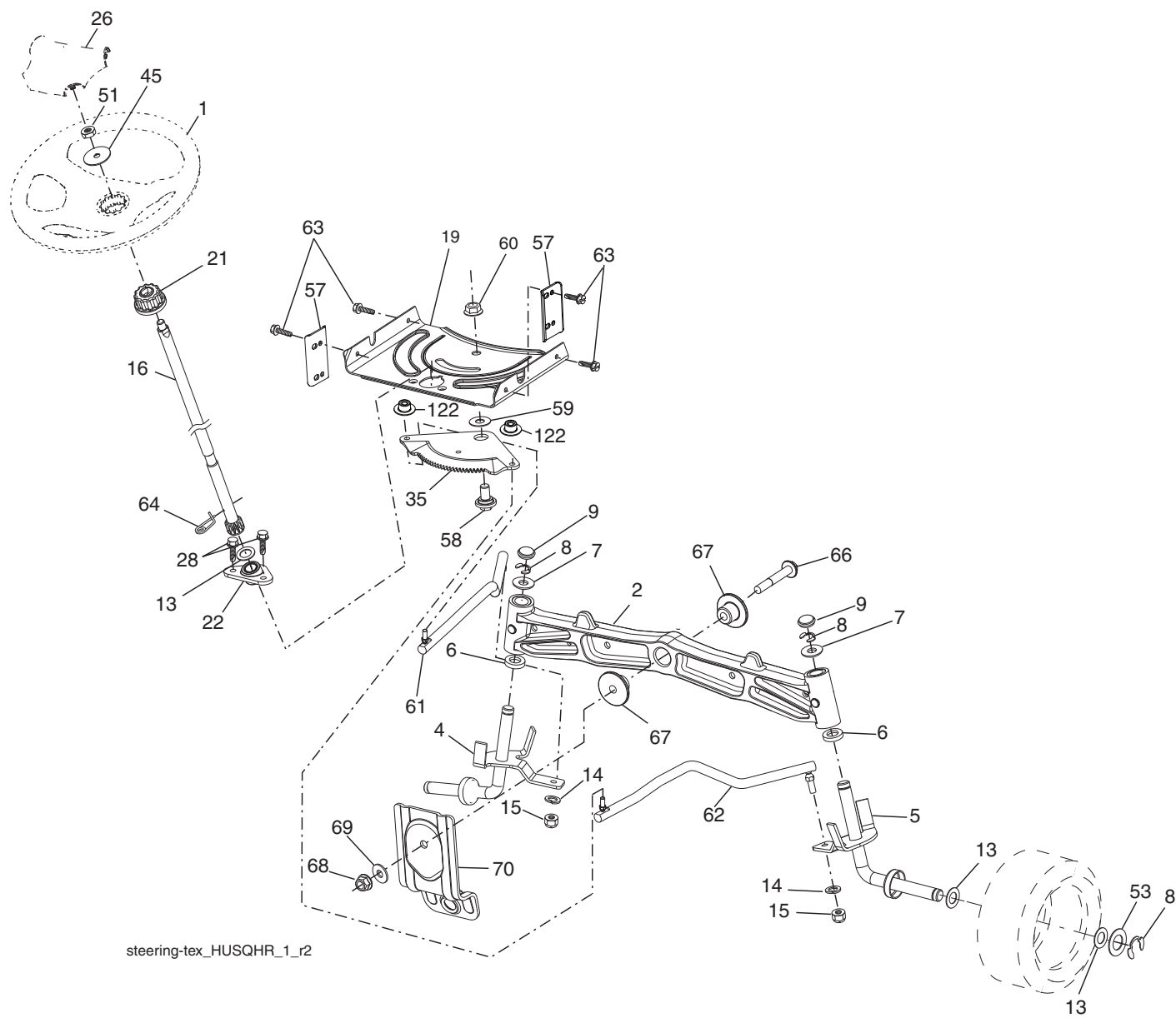
Para realizar el mantenimiento del motor y para obtener repuestos, llame al número gratuito del fabricante de su motor que se enumera a continuación:

Briggs & Stratton 1-800-233-3723

Información de Clasificación de Potencia del Motor

La clasificación de potencia para un modelo de motor a gas en particular se designa de acuerdo al código J1940 de SAE (Sociedad de Ingenieros Automotrices) (Procedimiento de Clasificación de Potencia & Torque del Motor Pequeño), y la clasificación de desempeño ha sido obtenida y corregida de acuerdo con el código J1995 de SAE (Revisión 2002-05). Los valores de torque se obtienen a 3060 RPM; los valores de potencia se obtienen a 3600 RPM. La potencia bruta actual del motor será inferior y está afectada, entre otras cosas, por las condiciones ambientales operativas y la variabilidad de motor a motor. Dado ambos un amplio conjunto de productos en los cuales son puestos nuestros motores, y la variedad de emisiones ambientales aplicables al operar el equipo, el motor a gas no desarrollará la potencia nominal cuando sea usado en una parte del equipo acoplado (potencia real "en el-sitio" o potencia neta). Esta diferencia se debe a una variedad de factores que incluyen, pero que no están limitados a, accesorios (filtro de aire, sistema de escape, sistema de carga, sistema de enfriamiento, carburador, bomba de combustible, etc.) limitaciones de la aplicación, condiciones ambientales de operación (temperatura, humedad, altitud), y la variabilidad de motor a motor. Debido a las limitaciones, Briggs & Stratton puede sustituir este motor con clasificación de potencia más alta por esta serie de motor.

TRACTOR MODELO NO. YTH22V46 (96045004200), PRODUCTO NO. 960 45 00-42
ENSAMBLE DE LA DIRECCIÓN



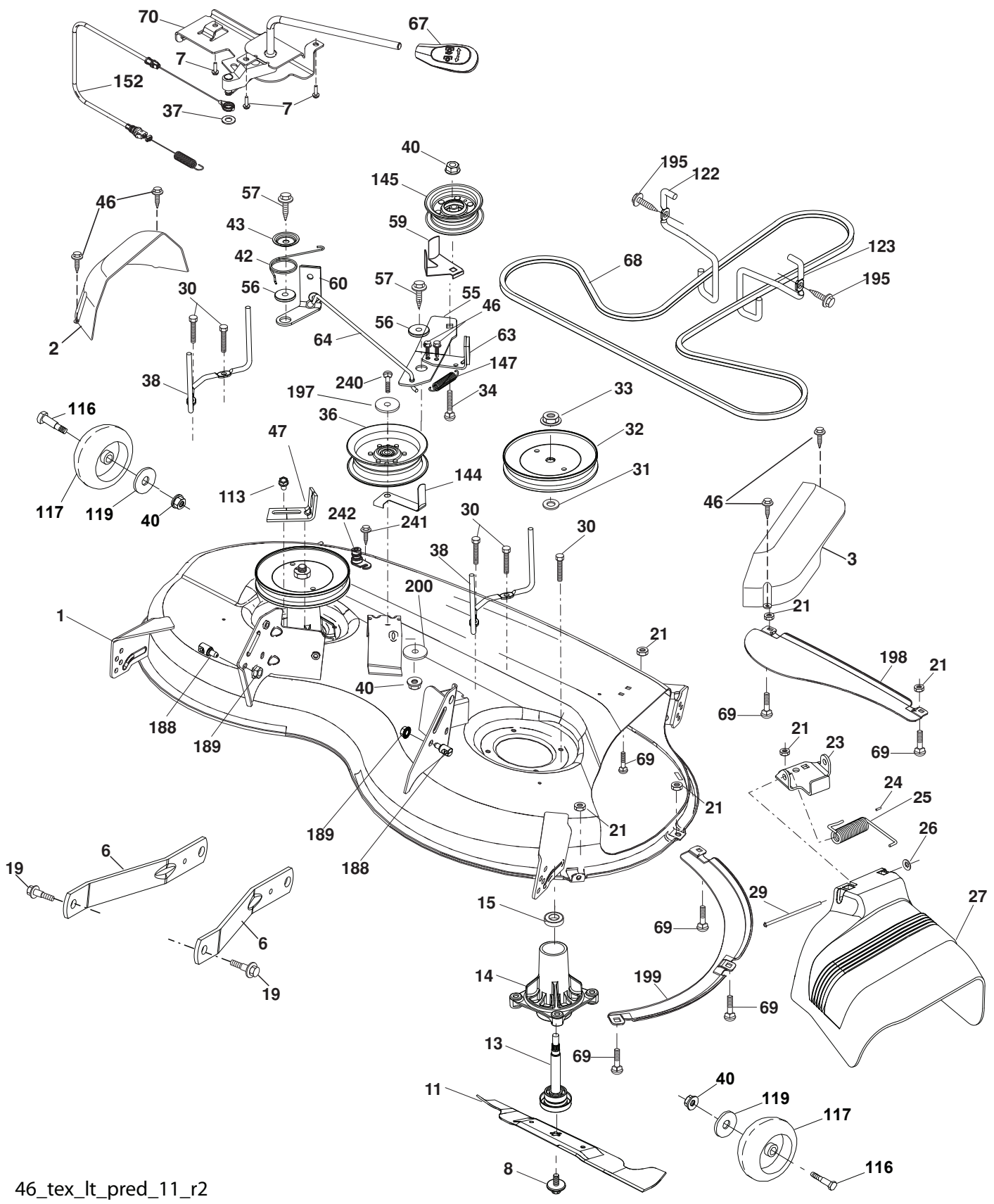
steering-tex_HUSQHR_1_r2

**TRACTOR MODELO NO. YTH22V46 (96045004200), PRODUCTO NO. 960 45 00-42
ENSAMBLE DE LA DIRECCIÓN**

| CÓDIGO No. | PIEZA No. | DESCRIPCIÓN |
|-----------------------|----------------------|---|
| 1 | 532 43 97-40 | Volante de dirección |
| 2 | 532 19 59-68 | Eje |
| 4 | 532 40 30-87 | Ensamble del husillo izquierdo |
| 5 | 532 40 30-88 | Ensamble del husillo derecho |
| 6 | 532 12 49-31 | Arandela |
| 7 | 532 12 17-48 | Arandela de 25/32 x 1-5/8 calibre 16 |
| 8 | 812 00 00-29 | Abrazadera del aro No. T5304-75 |
| 9 | 532 12 12-32 | Tapa del husillo |
| 13 | 532 12 17-49 | Arandela de 25/32 x 1-1/4 calibre 16 |
| 14 | 810 04 06-00 | Arandela de presión de 3/8 |
| 15 | 873 54 06-00 | Tuerca corona de presión de 3/8-24 unf |
| 16 | 532 40 82-19 | Eje de dirección |
| 19 | 532 19 47-29 | Placa de dirección |
| 21 | 532 18 67-37 | Adaptador del volante de dirección |
| 22 | 532 42 05-37 | Dirección soporte |
| 26 | 532 43 97-43 | Inserto del volante de dirección |
| 28 | 817 00 06-12 | Tornillo de 3/8-16 x 3/4 |
| 35 | 532 19 47-32 | Engranaje del sector de la placa |
| 45 | 819 18 38-12 | Arandela de 9/16 ID x 2-3/8 x calibre 12 |
| 51 | 873 94 08-00 | Tuerca de presión de 1/2-20 unf |
| 53 | 532 18 89-67 | Arandela reforzada de 793 x 1637 x 0,060 |
| 57 | 532 40 74-65 | Tope superior del soporte |
| 58 | 532 19 47-47 | Perno de tope del sector del pivote CFM |
| 59 | 532 19 47-48 | Arandela de empuje del sector de dirección |
| 60 | 873 97 10-00 | Tuerca de presión con brida de 5/8-11 |
| 61 | 532 19 47-40 | Barra de acoplamiento izquierda |
| 62 | 532 19 47-41 | Barra de acoplamiento derecha |
| 63 | 817 00 05-12 | Tornillo de 5/16-18 x 3/4 |
| 64 | 532 19 98-49 | Abrazadera de retención del resorte de la dirección |
| 66 | 871 02 07-48 | Perno de cabeza 7/16-14 x 3 |
| 67 | 532 19 47-37 | Buje PM del eje delantero |
| 68 | 873 90 07-00 | Tuerca de presión con brida de 7/16-14 grado 5 |
| 69 | 532 19 91-62 | Arandela de 1,5 x 0,505 x 0,118 |
| 70 | 532 19 61-97 | Soporte de la plataforma delantera |
| 122 | 532 44 49-62 | Tapa |

NOTA: Las dimensiones de todos los componentes están expresadas en pulgadas americanas. 1 pulgada = 25,4 mm

TRACTOR MODELO NO. YTH22V46 (96045004200), PRODUCTO NO. 960 45 00-42
PLATAFORMA DE LA CORTADORA DE CÉSPED



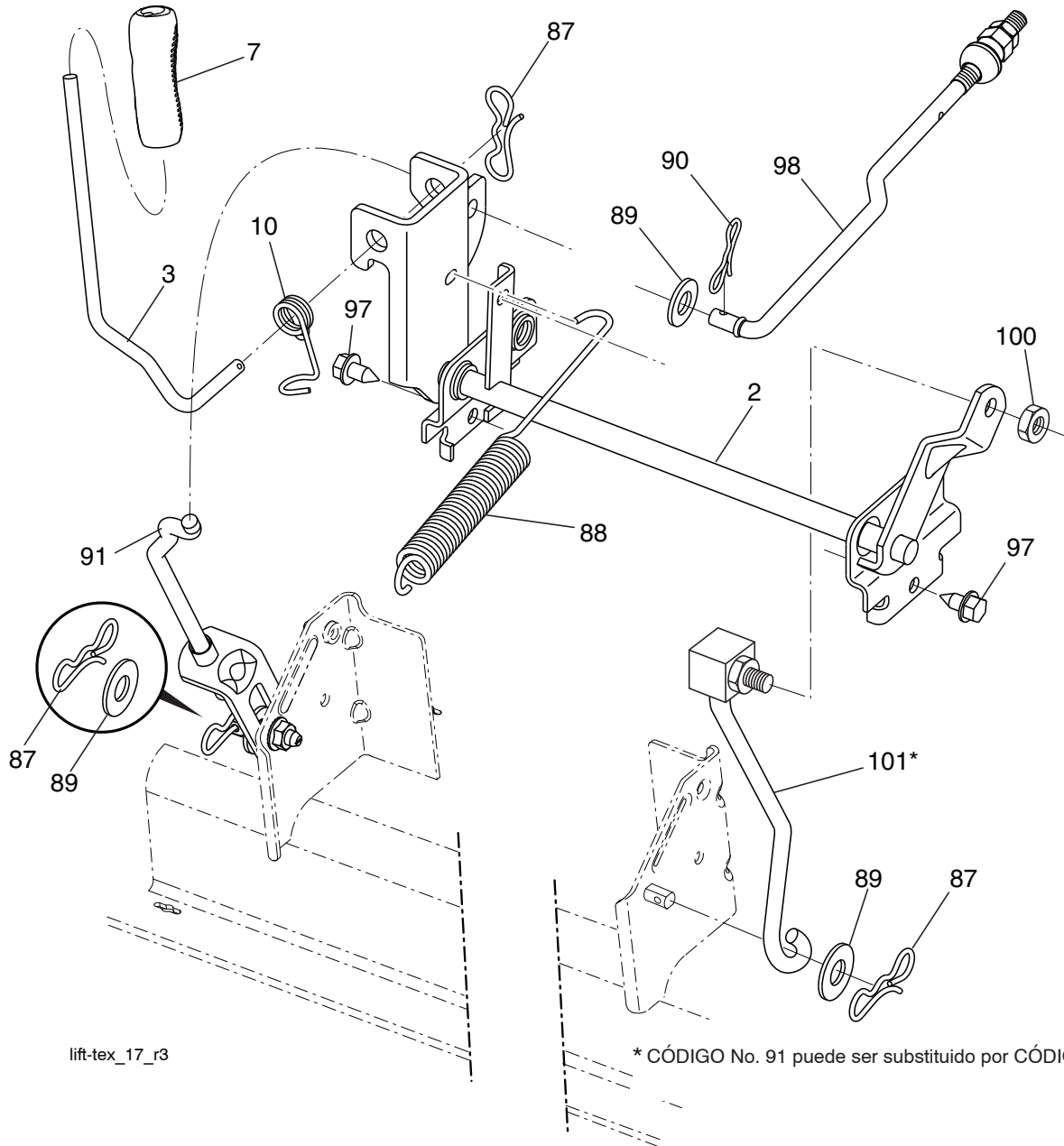
46_tex_lt_pred_11_r2

**TRACTOR MODELO NO. YTH22V46 (96045004200), PRODUCTO NO. 960 45 00-42
PLATAFORMA DE LA CORTADORA DE CÉSPED**

| CÓDIGO PIEZA | | DESCRIPCIÓN | CÓDIGO PIEZA | | DESCRIPCIÓN |
|--------------|--------------|---|--------------|--------------|---|
| No. | No. | | No. | No. | |
| 1 | 532 44 23-82 | Carcasa de la cortadora de césped | 63 | 532 19 94-77 | Brazo del freno de la cortadora de césped |
| 2 | 532 40 55-06 | Cubierta derecha del mandril | 64 | 532 40 51-38 | Varillaje del freno |
| 3 | 532 40 55-07 | Cubierta izquierda del mandril | 67 | 532 40 30-12 | Manija del cable de embrague |
| 6 | 532 19 51-86 | Brazo de la suspensión | 68 | 532 40 51-43 | Correa trapezoidal |
| 7 | 532 41 63-58 | Tornillo No. 10 x 0,750 | 69 | 872 14 05-05 | Perno |
| 8 | 532 19 30-03 | Perno/arandela del ensamble de 7/16-20 unf | 70 | 532 19 99-72 | Ensamble del embrague Manual |
| 11 | 532 40 53-80 | Cuchilla de la cortadora | 113 | 817 00 05-10 | Tornillo de 5/16-18 |
| 13 | 532 19 28-72 | Ensamble del eje del mandril | 116 | 532 19 34-06 | Perno de tope |
| 14 | 532 18 72-81 | Carcasa del mandril | 117 | 532 17 48-73 | Calibrador de la rueda |
| 15 | 532 11 04-85 | Rodamiento de bolas del mandril | 119 | 819 13 20-12 | Arandela de 13/32x1-1/4xcalibre 12 |
| 19 | 532 19 65-39 | Perno de tope | 122 | 532 19 72-58 | Sujetador izquierdo de la correa del motor |
| 21 | 873 68 05-00 | Tuerca | 123 | 532 19 72-59 | Sujetador derecho de la correa del motor |
| 23 | 532 19 25-57 | Soporte del deflector | 144 | 532 19 92-04 | Sujetador de la correa |
| 24 | 532 10 53-04 | Tapa de la manga | 145 | 532 19 31-97 | Polea loca |
| 25 | 532 19 70-26 | Resorte de torsión del deflector | 147 | 532 40 18-72 | Retorno del resorte |
| 26 | 532 11 04-52 | Tuerca de presión | 152 | 532 43 51-10 | Cable de embrague manual con resorte |
| 27 | 532 40 53-57 | Protector del deflector | 188 | 532 19 51-61 | Sujetador del travesaño |
| 29 | 532 13 14-91 | Varilla de la bisagra | 189 | 873 90 05-00 | Tuerca de presión hexagonal con brida |
| 30 | 532 17 39-84 | Tornillo con cabeza de arandela | 195 | 817 00 06-12 | Tornillo de 3/8-16 x 3/4 |
| 31 | 532 18 76-90 | Arandela del separador | 197 | 819 13 13-12 | Arandela de 13/32x13/16xcalibre 12 |
| 32 | 532 19 74-73 | Polea del mandril | 198 | 532 40 31-49 | Deflector delantero central |
| 33 | 532 40 02-34 | Tuerca de seguridad con brida | 199 | 532 40 31-50 | Deflector delantero derecho |
| 34 | 872 11 06-12 | Perno de 3/8-16 x 1-1/2 grado 5 | 200 | 532 41 35-24 | Arandela de 13/32 x 1 x 1/2 calibre 11 |
| 36 | 532 19 73-79 | Polea loca | 240 | 874 52 06-36 | Perno 3/8-16 unc x 2-1/4 |
| 37 | 819 13 13-16 | Arandela de 13/32x13/16xcalibre 16 | 241 | 532 15 29-27 | Tornillo |
| 38 | 532 43 25-20 | Sujetador de la correa izquierda del mandril | 242 | 532 41 55-98 | Puerto de Lavado de la Cubierta |
| 40 | 873 90 06-00 | Tuerca de presión con brida de 3/8-16 unc | -- | 532 41 64-05 | Eganche |
| 42 | 532 19 84-10 | Resorte de torsión del freno | -- | 532 19 28-70 | Ensamble del Mandril (solo incluye la carcasa (#14), el ensamble del eje (#13) y el rodamiento (#15); no incluye la polea/tuerca/arandela ni los pernos/arandelas de la cuchilla) |
| 43 | 532 19 72-56 | Resorte de torsión de retención | -- | 532 43 18-23 | Reemplazo de la cortadora de césped, completa |
| 46 | 532 13 77-29 | Tornillo | | | |
| 47 | 532 19 72-50 | Soporte del cable de embrague | | | |
| 55 | 532 19 72-49 | Brazo de la polea | | | |
| 56 | 532 19 90-92 | Espaciador de retención | | | |
| 57 | 817 00 06-16 | Tornillo hexagonal con arandela de 3/8-16 x 1 | | | |
| 59 | 532 14 10-43 | Dispositivo de protección de la polea (94) | | | |
| 60 | 532 19 94-71 | Brazo izquierdo del freno de la cortadora de césped | | | |

NOTA: Las dimensiones de todos los componentes están expresadas en pulgadas americanas. 1 pulgada = 25,4 mm

**TRACTOR MODELO NO. YTH22V46 (96045004200), PRODUCTO NO. 960 45 00-42
ELEVACIÓN DE LA CORTADORA DE CÉSPED**



**CÓDIGO PIEZA
No. No.**

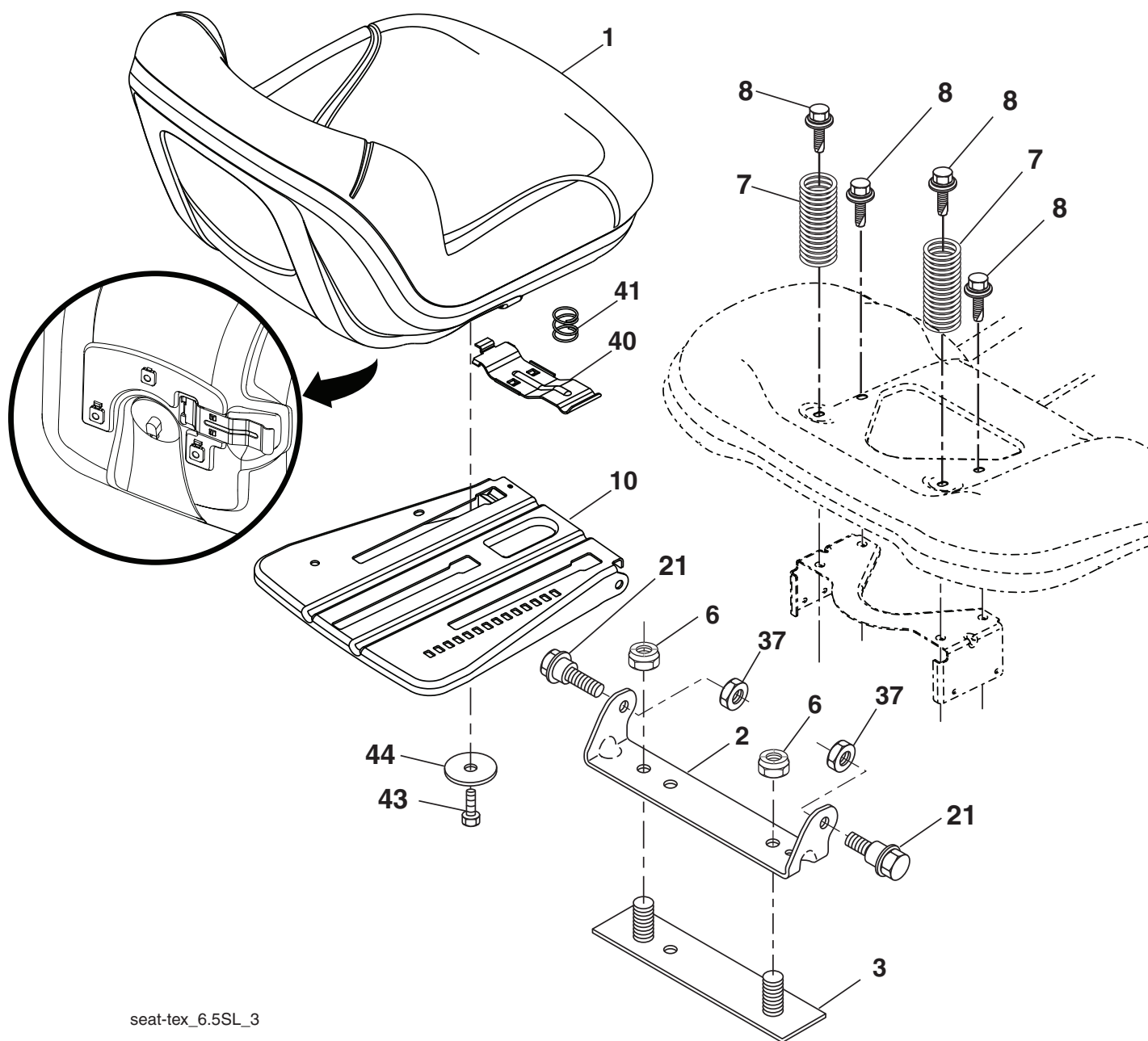
| CÓDIGO No. | PIEZA No. | DESCRIPCIÓN |
|------------|--------------|---|
| 2 | 532 42 20-27 | Ensamble del eje de la elevación |
| 3 | 532 19 52-31 | Ensamble de la palanca de elevación derecha |
| 7 | 580 96 23-01 | Mango de la palanca |
| 10 | 532 19 63-14 | Resorte de torsión |
| 87 | 532 19 42-09 | Pasador de chaveta de 7/16 con bloqueo en forma de mariposa |
| 88 | 532 41 07-10 | Resorte de ayuda de la elevación |
| 89 | 819 19 19-12 | Arandela de zinc transparente |
| 90 | 532 19 42-08 | Pasador de chaveta de 5/16 con bloqueo en forma de mariposa |

**CÓDIGO PIEZA
No. No.**

| CÓDIGO No. | PIEZA No. | DESCRIPCIÓN |
|------------|--------------|--|
| 91 | 532 19 51-81 | Ensamble del acoplamiento |
| 97 | 817 00 06-12 | Tornillo de 3/8-16 x 0,75 |
| 98 | 532 19 52-70 | Acoplamiento frontal de la elevación de la cortadora de césped |
| 100 | 873 93 06-00 | Tuerca de 3/8-16 unc |
| 101 | 532 40 70-03 | Ensamble del acoplamiento elevación |

NOTA: Las dimensiones de todos los componentes están expresadas en pulgadas americanas. 1 pulgada = 25,4 mm

**TRACTOR MODELO NO. YTH22V46 (96045004200), PRODUCTO NO. 960 45 00-42
ENSAMBLE DEL ASIENTO**



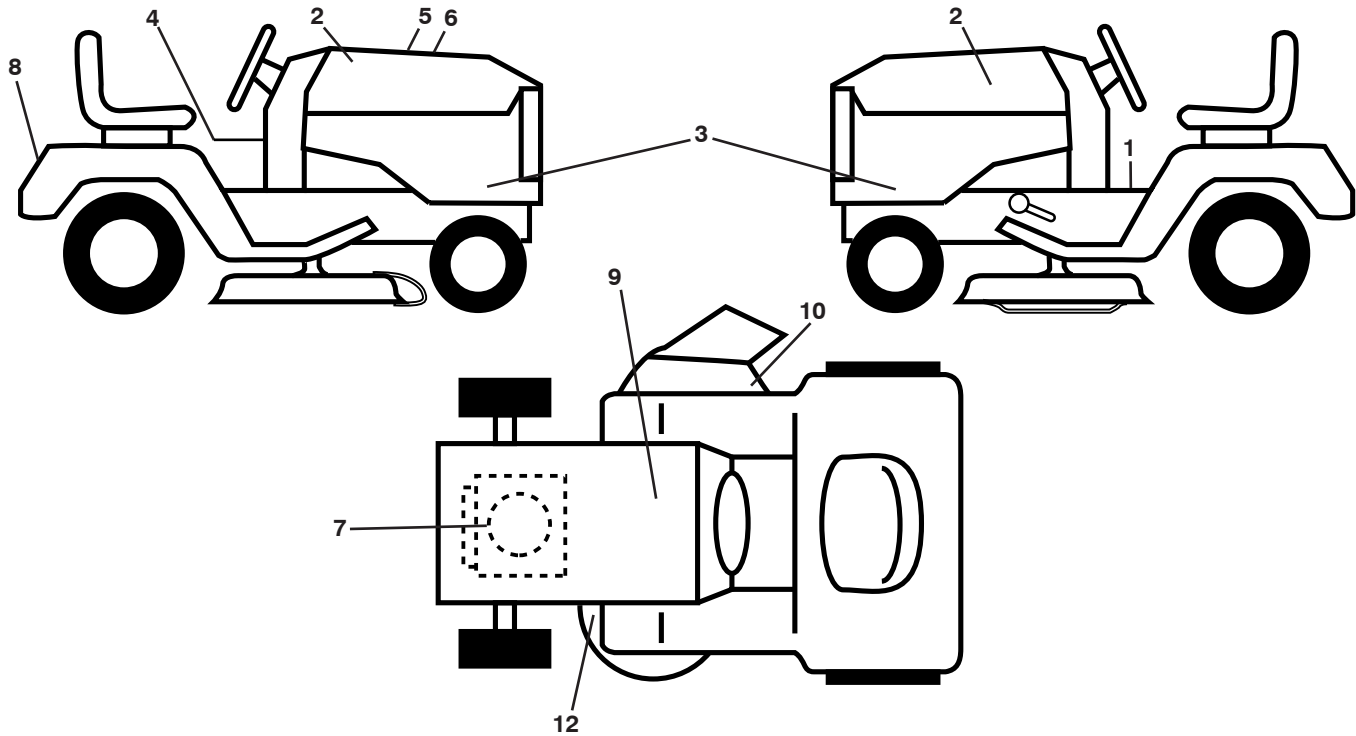
seat-tex_6.5SL_3

| CÓDIGO No. | PIEZA No. | DESCRIPCIÓN |
|------------|--------------|---|
| 1 | 532 43 98-22 | Asiento |
| 2 | 532 18 01-66 | Soporte pivotante del guardabarros |
| 3 | 532 14 06-75 | Conector del ensamble del guardabarros |
| 6 | 873 80 06-00 | Tuerca de presión c/aislamiento de 3/8-16 unc |
| 7 | 532 12 41-81 | Resorte del asiento |
| 8 | 532 17 18-77 | Perno de 5/16" unc x 3/4" |
| 10 | 532 19 69-77 | Bandeja del asiento |
| 21 | 532 17 18-52 | Perno de tope de 5/16-18 |

| CÓDIGO No. | PIEZA No. | DESCRIPCIÓN |
|------------|--------------|---|
| 37 | 873 80 05-00 | Tuerca de presión de 5/16-18 unc |
| 40 | 532 19 76-61 | Manija para deslizar el asiento |
| 41 | 532 19 82-00 | Resorte para trabar el asiento |
| 43 | 874 76 06-12 | Perno de cabeza hexagonal con aleta de 3/8-16 unc x 3/4 |
| 44 | 819 13 38-12 | Arandela de 13/32 x 2-3/8 calibre 12 |

NOTA: Las dimensiones de todos los componentes están expresadas en pulgadas americanas. 1 pulgada = 25,4 mm

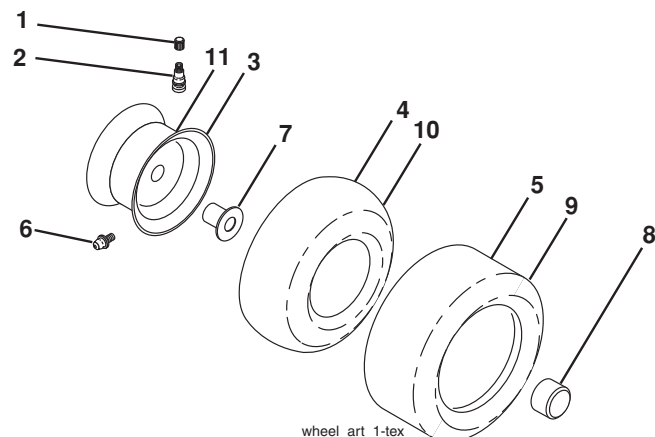
**TRACTOR MODELO NO. YTH22V46 (96045004200), PRODUCTO NO. 960 45 00-42
CALCOMANÍAS**



| CÓDIGO No. | PIEZA No. | DESCRIPCIÓN |
|------------|--------------|--|
| 1 | 532 41 91-38 | Calcomanía para el guardabarros |
| 2 | 532 42 91-96 | Calcomanía para la capota |
| 3 | 581 59 42-01 | Calcomanía para el panel capota |
| 4 | 532 42 41-02 | Calcomanía para la desviación |
| 5 | 532 42 38-29 | Calcomanía del operador |
| 6 | 581 58 17-02 | Calcomanía de reemplazo |
| 7 | 581 25 85-01 | Calcomanía de motor |
| 8 | 532 19 15-54 | Calcomanía para el guardabarros |
| 9 | 532 14 50-05 | Calcomanía de Peligro/Punto de interconexión |

| CÓDIGO No. | PIEZA No. | DESCRIPCIÓN |
|------------|--------------|---|
| 10 | 532 17 05-63 | Calcomanía del advertencia |
| 12 | 532 16 03-96 | Calcomanía del diagrama de la cortadora de césped |
| -- | 532 16 69-60 | Calcomanía para la desviación |
| -- | 580 88 58-01 | Calcomanía E85 advertencia |
| -- | 532 43 96-81 | Forro del apoyo para los pies (L.I.) |
| -- | 532 43 96-82 | Forro del apoyo para los pies (L.D.) |
| -- | 581 60 40-49 | Manual del Operario (Inglés/Español) |
| -- | 581 60 39-47 | Manual de Repuestos (Inglés/Español) |

RUEDAS Y NEUMÁTICOS



| CÓDIGO No. | PIEZA No. | DESCRIPCIÓN |
|------------|--------------|--|
| 1 | 532 05 91-92 | Tapa de la válvula del neumático |
| 2 | 532 06 51-39 | Vástago de la válvula |
| 3 | 532 13 83-36 | Ensamble de las llantas delanteras |
| 4 | 532 05 99-04 | Cámara delantera (Mantenimiento sólo) |
| 5 | 532 10 62-22 | Neumático delantero 15 x 6.0-6 |
| 6 | 532 12 49-57 | Accesorio para engrasar (solo para la rueda delantera) |
| 7 | 532 12 49-59 | Rodamiento de la brida (solo para la rueda delantera) |
| 8 | 532 17 50-39 | Tapa del eje 1 50 x 1 00 |
| 9 | 532 13 84-68 | Neumático |
| 10 | 532 12 49-26 | Cámara trasera (Mantenimiento sólo) |
| 11 | 532 13 83-37 | Ensamble trasero de la llanta 8" |
| -- | 532 14 43-34 | Sellador para neumáticos (tubo de 10 onzas [283 gr]) |

NOTA: Las dimensiones de todos los componentes están expresadas en pulgadas americanas. 1 pulgada = 25,4 mm

SERVICE NOTES / AVISO

10/18/2012 BD