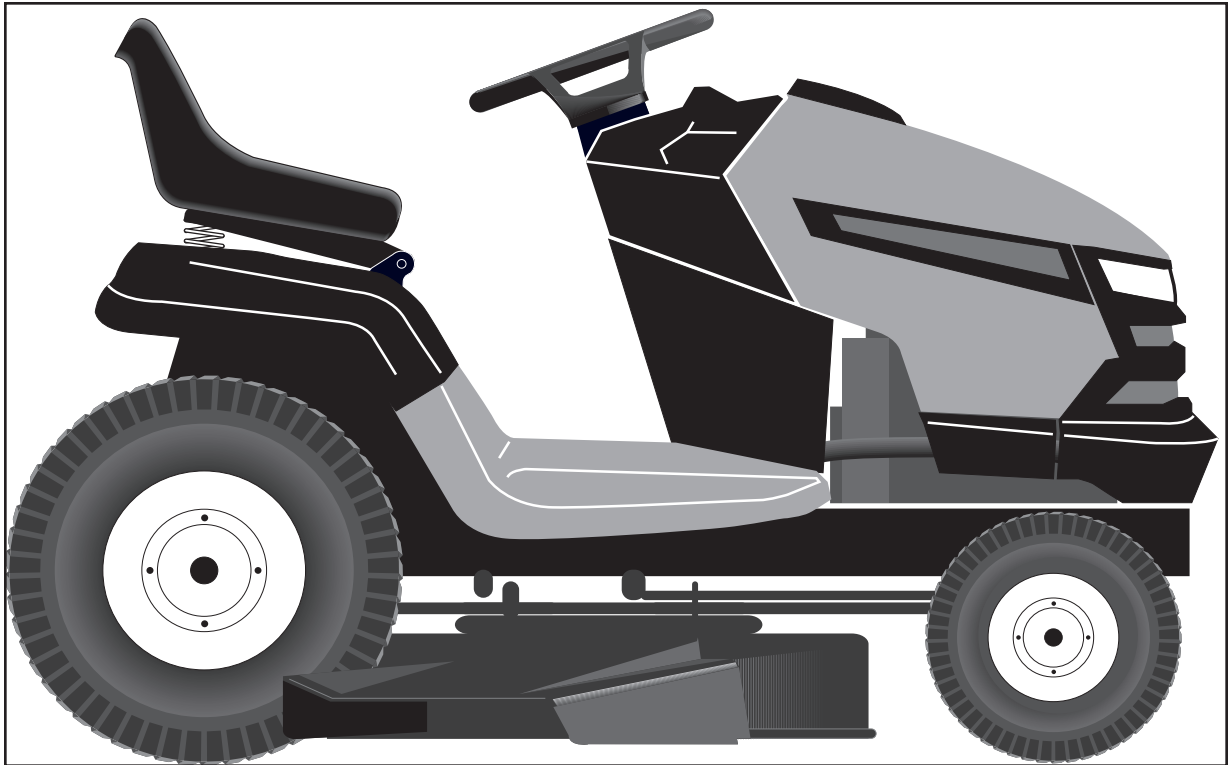


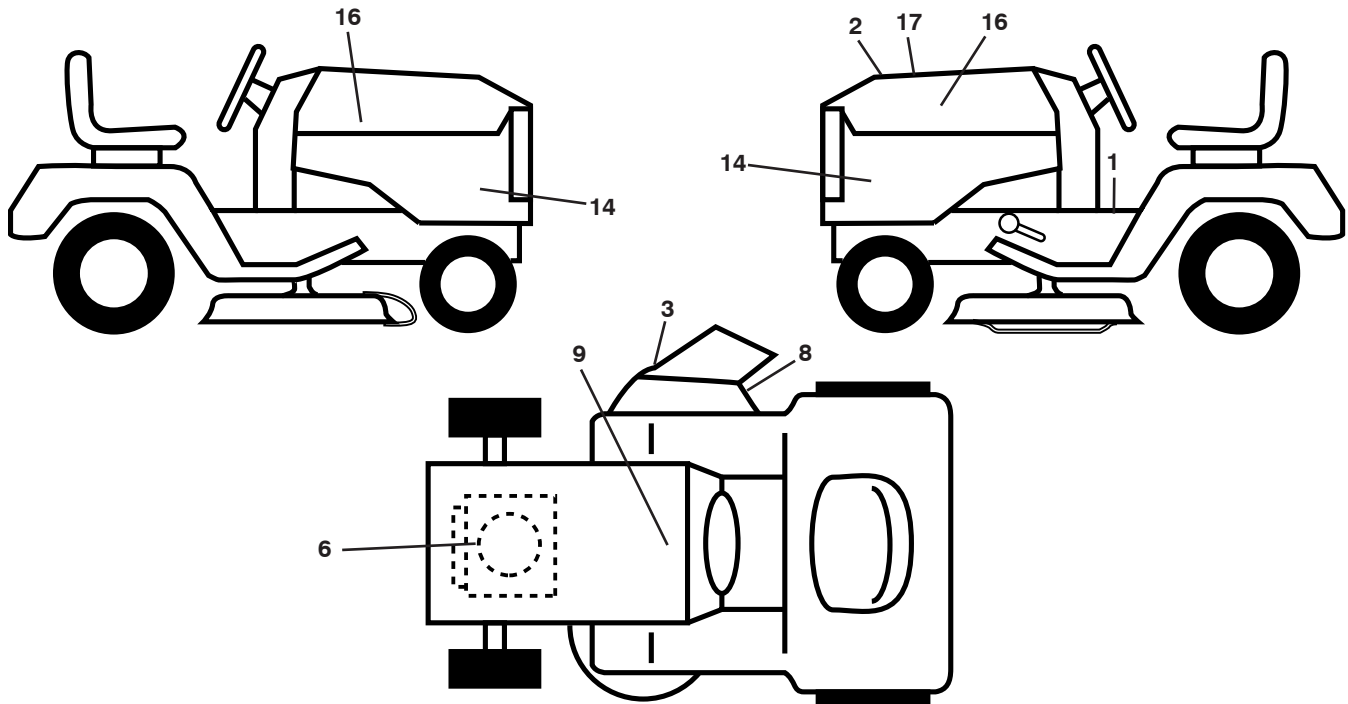
 **Husqvarna**[®]



YTH2348

Illustrated Parts List / 96043005901 / 2009-01

**TRACTOR - MODEL NO. YTH2348 (96043005901), PRODUCT NO. 960 43 00-59
DECALS**



**KEY PART
NO. NO.**

DESCRIPTION

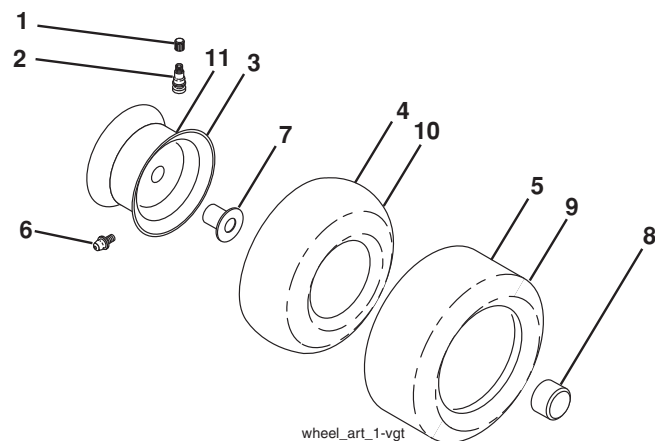
1	532 41 16-58	Decal, Operator's
2	532 42 38-29	Decal, Warning E85
3	532 17 05-63	Decal, Warning
6	532 40 88-41	Decal, Eng. HP
8	532 19 87-85	Decal, Mower Sch.
9	532 14 50-05	Decal, Battery Dnge/Poi
14	532 41 00-55	Decal, Panel Side

**KEY PART
NO. NO.**

DESCRIPTION

16	532 42 20-12	Decal, Hood Logo
17	532 42 34-65	Decal, Replacement
--	532 16 69-60	Decal, Bypass
--	532 41 08-05	Pad, Footrest, LH
--	532 41 08-06	Pad, Footrest, RH

WHEELS AND TIRES



**KEY PART
NO. NO.**

DESCRIPTION

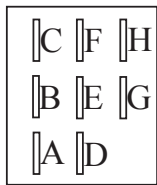
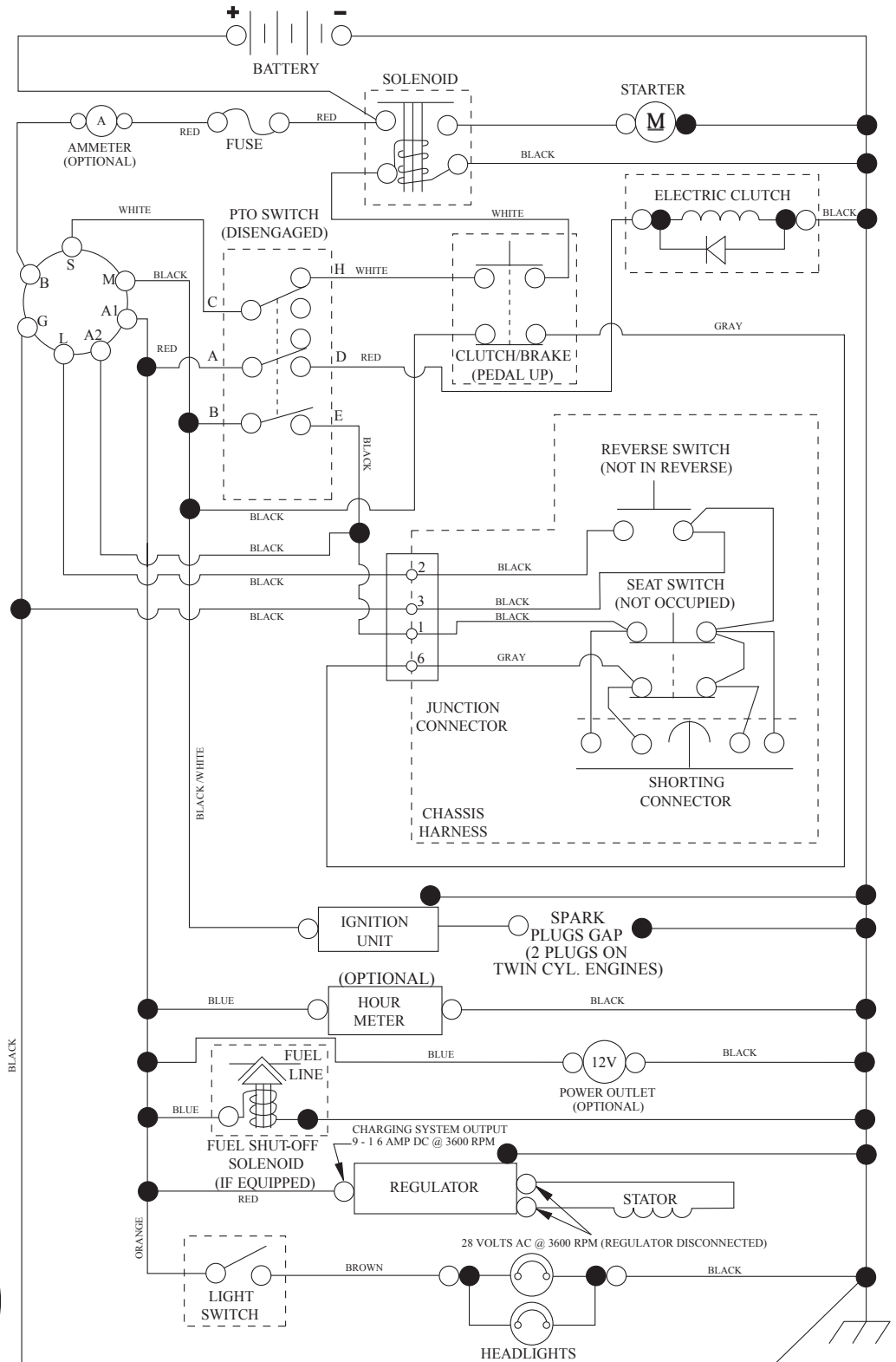
1	532 05 91-92	Cap, Valve, Tire
2	532 06 51-39	Stem, Valve
3	532 13 83-36	Rim Assembly, Front
4	532 05 99-04	Tube, Front (Service Item Only)
5	532 10 62-22	Tire, Front
6	532 12 49-57	Fitting, Grease (Front Wheel Only)
7	532 12 49-59	Bearing, Flange (Front Wheel Only)
8	532 17 50-39	Cap, Axle (Front Wheel Only)
9	532 13 84-68	Tire, Rear
10	532 12 49-26	Tube, Rear (Service Item Only)
11	532 13 83-37	Rim Assembly, Rear
--	532 14 43-34	Sealant, Tire (10 oz. Tube)

NOTE: All component dimensions given in U.S. inches
1 inch = 25.4 mm

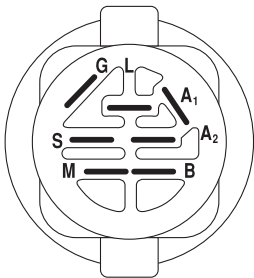
TRACTOR - MODEL NO. YTH2348 (96043005901), PRODUCT NO. 960 43 00-59

SCHEMATIC

SCH12

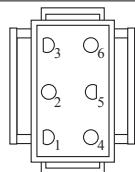


PTO SWITCH
(MATING SIDE)

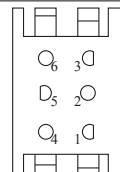


IGNITION SWITCH

POSITION	CIRCUIT "MAKE"
OFF	M+G+A1
RUN/OVERRIDE	B+A1
RUN	B+A1 L+A2
START	B + S + A1



CHASSIS HARNESS
CONNECTOR
(MATING SIDE)



DASH HARNESS
CONNECTOR

WIRING INSULATED CLIPS
NOTE: IF WIRING INSULATED
CLIPS WERE REMOVED FOR
SERVICING OF UNIT, THEY
SHOULD BE RE-INSTALLED TO
PROPERLY SECURE YOUR
WIRING.

●
NON-REMOVABLE
CONNECTIONS

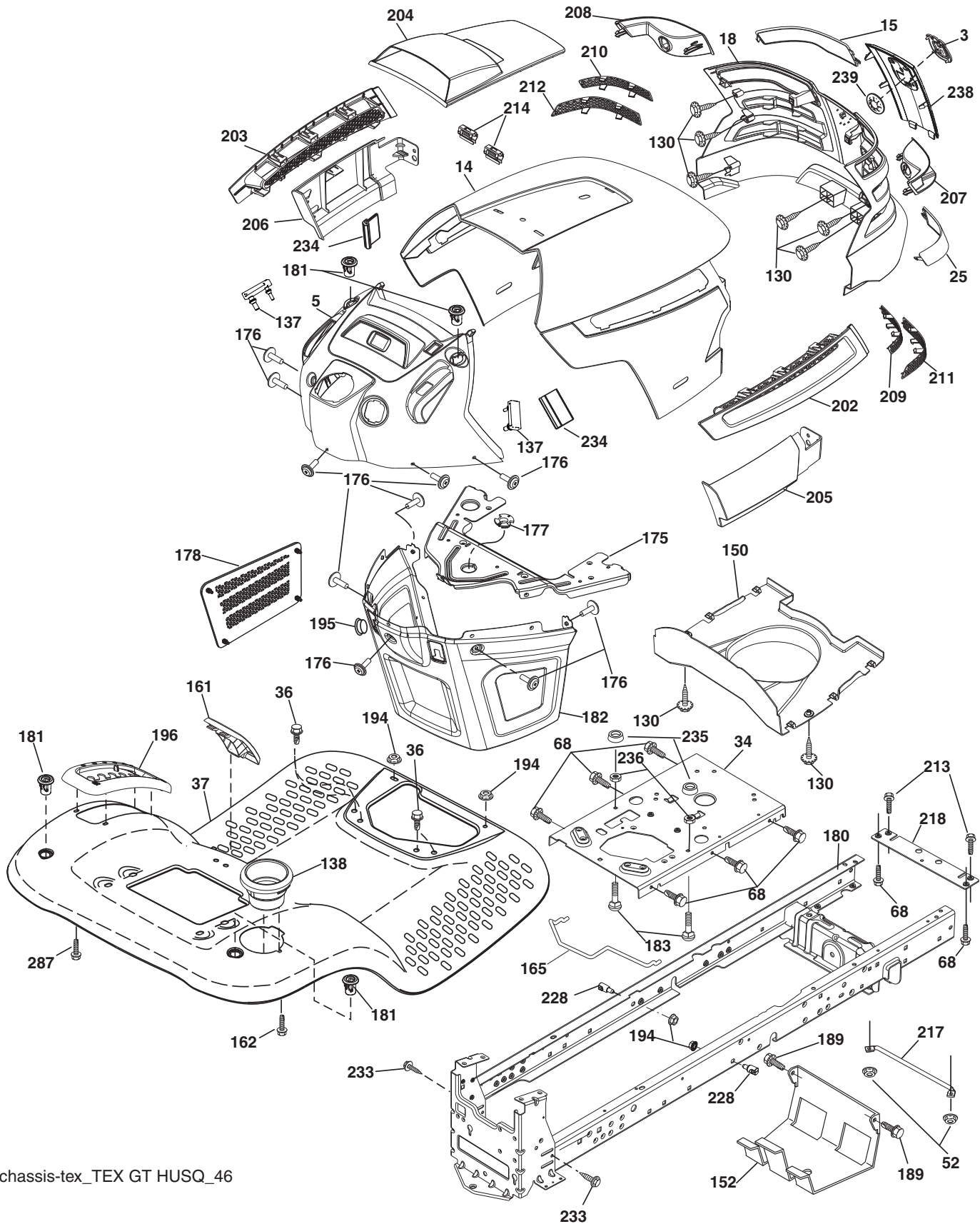
○
REMOVABLE
CONNECTIONS

**TRACTOR - MODEL NO. YTH2348 (96043005901), PRODUCT NO. 960 43 00-59
ELECTRICAL**

KEY NO.	PART NO.	DESCRIPTION
1	532 16 34-65	Battery
2	874 76 04-12	Bolt Hex Hd 1/4-20 unc x 3/4
8	532 18 64-91	Battery Box
16	532 17 61-38	Switch Interlock
21	532 18 37-59	Harness Socket Light
22	532 00 41-52	Bulb, Light #1156
24	532 40 02-53	Cable Battery
25	532 41 28-95	Cable Starter
26	532 17 51-58	Fuse
27	873 51 04-00	Nut Keps Hex 1/4-20 unc
28	532 14 54-91	Cable Ground 21" Blk 6 Ga.
29	532 40 15-45	Switch Seat
30	532 19 33-50	Switch Ign
33	532 41 19-35	Key/Chain
34	532 11 07-12	Switch Light/Reset
40	532 40 11-04	Harness Ign. Dash
41	817 72 04-08	Screw Thd Cut 1/4-20 x 1/2
42	532 13 15-63	Cover Terminal Red
43	532 19 25-07	Solenoid
46	532 40 17-63	Gauge Hourmeter
50	532 17 46-51	Switch PTO
55	817 06 05-12	Screw Thdrol 5/16-18 x 3/4
71	532 19 42-76	Harness Ign
79	532 17 52-42	Socket Asm. Bulb Twistlock
90	532 40 07-24	Cover Terminal Battery
91	532 19 02-70	Strap Battery
99	817 67 04-12	Screw Hexwsh Thdrol 1/4-20 x 3/4
100	819 09 14-16	Washer 9/32 x 7/8 x 16 Ga.
102	532 40 44-54	Harness Pigtail
105	532 40 75-68	Switch Reverse TT Pedal

NOTE: All component dimensions given in U.S. inches
1 inch = 25.4 mm

TRACTOR - MODEL NO. YTH2348 (96043005901), PRODUCT NO. 960 43 00-59 CHASSIS



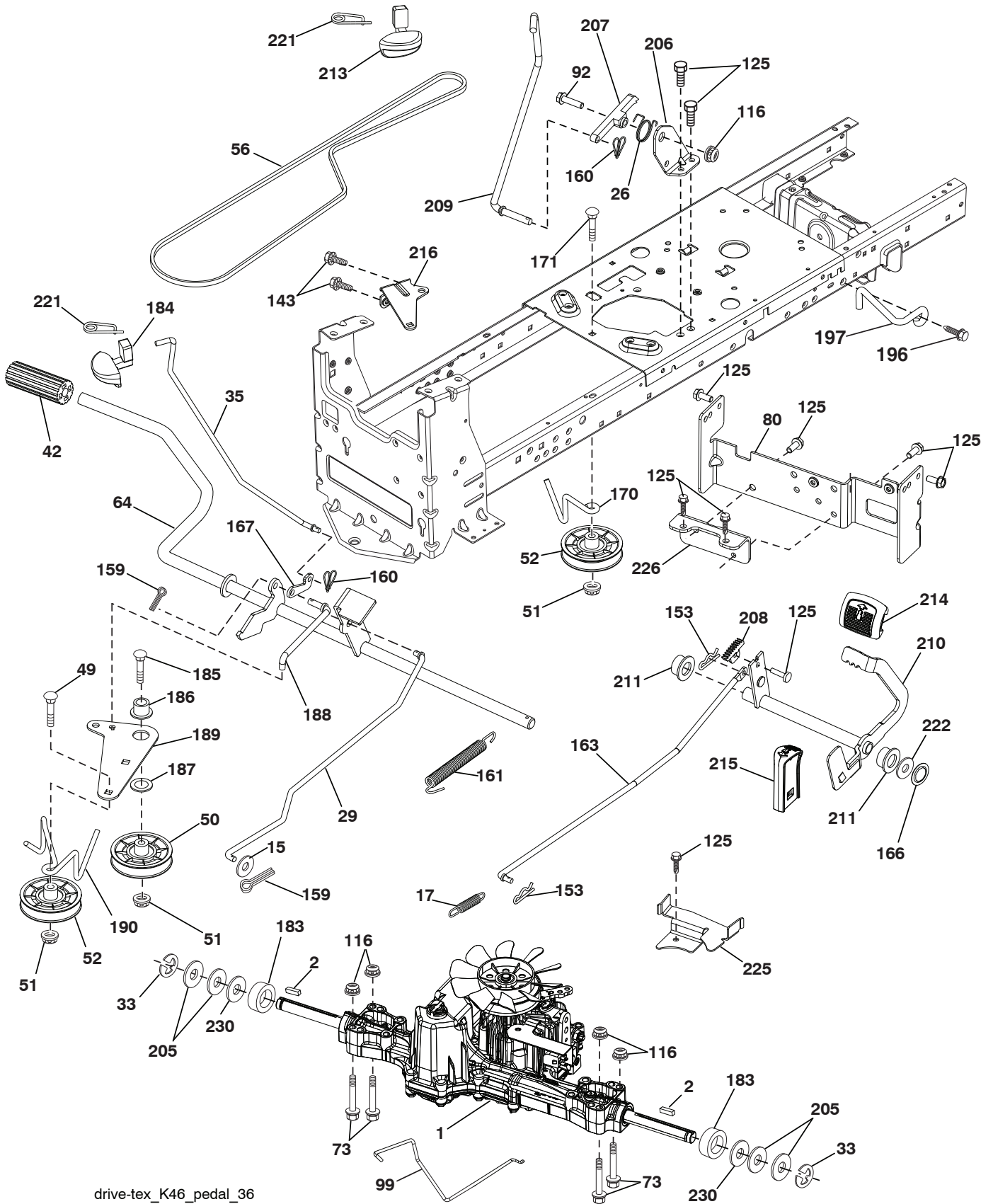
chassis-tex_TEX GT HUSQ_46

**TRACTOR - MODEL NO. YTH2348 (96043005901), PRODUCT NO. 960 43 00-59
CHASSIS**

KEY NO.	PART NO.	DESCRIPTION	KEY NO.	PART NO.	DESCRIPTION
3	532 40 50-12	Logo	195	532 40 41-37	Plug Hole Dash Lower
5	532 40 87-01	Dash	196	532 41 45-80	Console Asm. Deck Lift
14	532 41 10-46	Hood	202	532 40 30-48	Vent Side Hood RH
15	532 19 89-07	Lens LH	203	532 40 30-76	Vent Side Hood LH
18	532 40 86-07	Grille Asm.	204	532 41 66-13	Vent Top Hood
25	532 19 89-06	Lens RH	205	532 40 17-09	Skirt Hood Side RH
34	532 19 61-25	Plate Engine	206	532 40 17-11	Skirt Hood Side LH
36	817 06 05-12	Screw 5/16-18 x 3/4	207	532 19 71-98	Bezel RH
37	532 41 86-73	Fender	208	532 19 71-99	Bezel LH
52	873 68 05-00	Nut Lock 5/16-18	209	532 19 91-30	Insert Hex Top RH
68	817 49 05-08	Screw 5/16-18 x 1/2	210	532 19 91-31	Insert Hex Top LH
130	532 41 63-58	Screw #10 x 0.750 BOS Thread	211	532 19 91-32	Insert Hex Bottom RH
137	532 40 75-90	Bumper Dash	212	532 19 91-33	Insert Hex Bottom LH
138	532 40 29-54	Cupholder	213	874 76 05-12	Bolt 5/16-18 unc x 3/4
150	532 19 85-12	Air Duct	214	532 19 91-45	Clip Retainer Tinner
152	532 19 95-35	Shield Browning	217	532 40 91-67	Rod Pivot
161	532 40 96-27	Window Fuel	218	532 19 63-95	X-Piece Hood Stop
162	532 14 24-32	Screw	228	532 19 51-61	Stud Fastner
165	532 19 68-26	Support Tank Rear	233	532 19 65-39	Bolt, Shoulder
175	532 19 63-04	Crossmember	234	532 40 47-42	Bumper Hood
176	532 40 07-76	Screw 10-24 x 5/8	235	532 40 61-29	Spacer Fender
177	532 19 52-27	Bushing Steering	236	873 93 05-00	Nut Lock 5/16-18 unc
178	532 19 97-82	Cargo Net Asm.	238	532 40 86-06	Trim
180	532 19 54-57	Chassis	239	532 11 04-52	Nut, Push
181	532 40 30-25	Bushing Mtg. Fender Crgo	287	817 60 04-06	Screw Hex Washhead 1/4-20 x 3/8
182	532 40 68-59	Dash Lower			
183	874 78 05-20	Bolt Fin Hex 5/16-18 unc x 1-1/4			
189	817 00 05-12	Screw 5/16-18 x 3/4			
194	873 90 05-00	Nut Lock Hex Flange 5/16-18			

NOTE: All component dimensions given in U.S. inches
1 inch = 25.4 mm

**TRACTOR - MODEL NO. YTH2348 (96043005901), PRODUCT NO. 960 43 00-59
DRIVE**



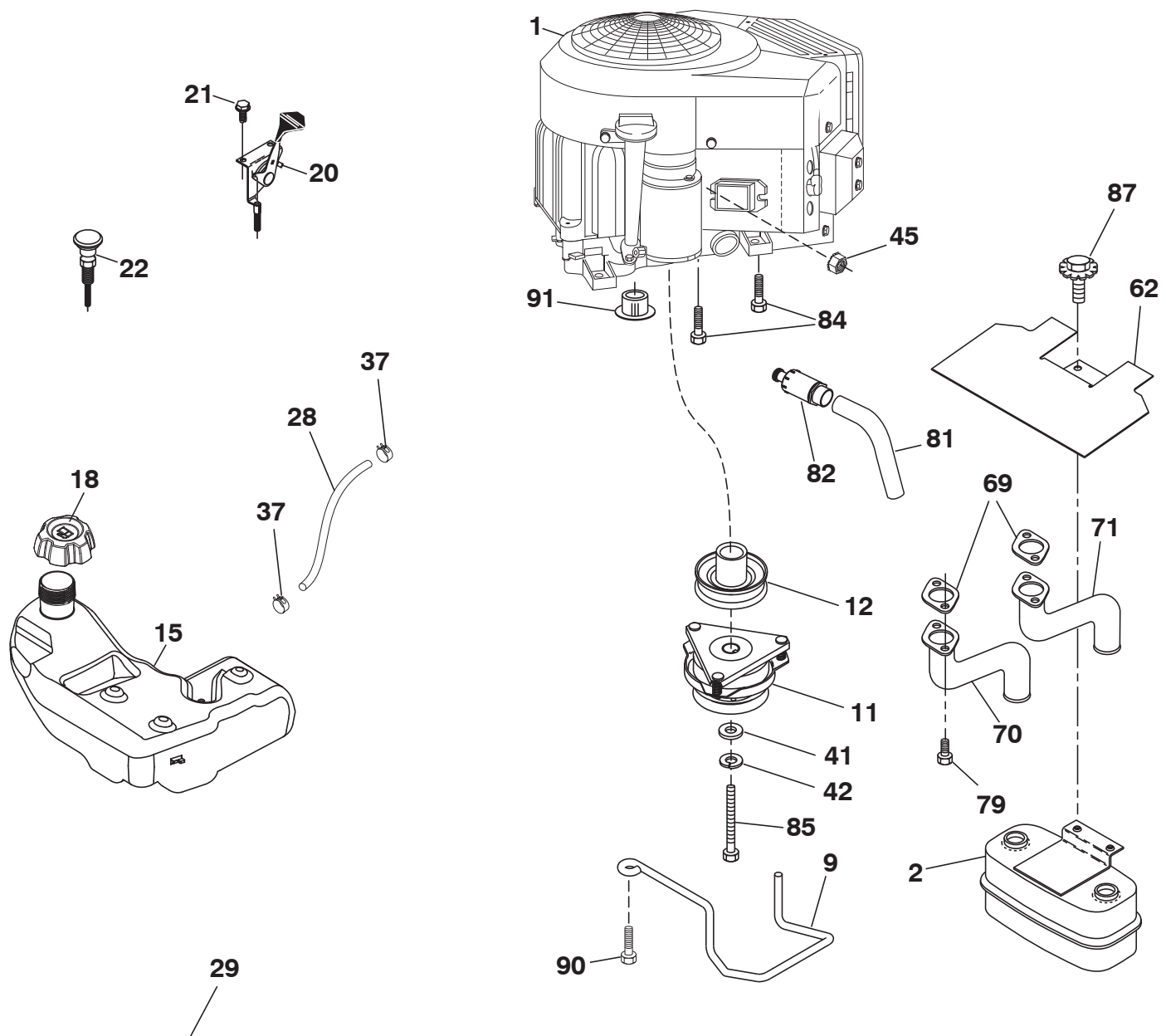
drive-tex_K46_pedal_36

**TRACTOR - MODEL NO. YTH2348 (96043005901), PRODUCT NO. 960 43 00-59
DRIVE**

KEY PART NO. NO.	DESCRIPTION	KEY PART NO. NO.	DESCRIPTION
1	532 40 53-84	171	872 11 06-16 Bolt RDHD SQNK 3/8-16 unc x 2
	Transaxle, TUFFTORQ K46 BT (Internal parts not available)	183	532 13 70-57 Spacer Split
2	532 12 35-83	184	532 40 31-18 Handle Parking Brake
	Key	185	872 11 06-22 Bolt Rdhd Sqnk 3/8-16 x 2-3/4 Gr. 5
15	819 13 13-16	186	532 19 43-21 Spacer Retainer
	Washer 13/32 x 13/16 x 16 Ga.	187	819 13 32-10 Washer
17	532 41 36-78	188	532 19 43-23 Link Clutch Ground Drive
	Spring, Brake	189	532 19 43-17 Bellcrank Ground Drive
26	532 19 96-79	190	532 19 43-18 Keeper Bellcrank Ground Drive
	Spring Return Cruise	196	817 00 06-16 Screw 3/8-16 x 1
29	532 40 38-06	197	532 19 58-04 Bracket Clutch Anti-Rotation
	Rod, Brake	205	532 12 17-48 Washer
33	812 00 00-01	206	532 19 78-67 Bracket Mount Latch Cruise
	Ring E	207	532 19 78-68 Latch Control Cruise
35	532 19 95-91	208	532 19 78-69 Gear Sector Control Cruise
	Rod, Brake, Park	209	532 19 95-92 Rod Control Cruise
42	532 12 48-72	210	532 40 09-80 Rocker Asm. Pedal Control
	Cover, Foot Pedal	211	532 12 01-83 Bearing Nylon
49	872 11 06-14	213	532 40 31-19 Knob Control Cruise
	Bolt	214	532 42 12-63 Pedal Forward
50	532 19 43-27	215	532 40 17-23 Pedal Reverse
	Pulley Idler Flat	216	532 19 61-31 Bracket Pulley Idler
51	873 90 06-00	221	532 40 31-87 Retainer Spring Clip Handle
	Lock Nut 3/8-16	222	879 21 20-10 Washer 21/32 x 1-1/4 x 10 Ga.
52	532 19 43-26	225	532 40 33-19 Keeper Belt Trans.
	Idler V-Groove 910" Offset	226	532 40 15-64 Bracket Mount Torque
56	532 13 09-69	230	532 18 89-67 Washer Hardened
	V-Belt, Drive		
64	532 19 78-65		
	Shaft Asm. Pedal Brake Control		
73	874 49 05-44		
	Bolt Hex Flghd 5/16-18 Gr. 5		
80	532 41 21-70		
	Bracket Strap Torque		
92	874 76 05-20		
	Bolt Fin Hex 5/16-18 unc x 1.25		
99	532 41 57-42		
	Rod Asm Bypass		
116	873 90 05-00		
	Nut Lock Hex Flange 5/16-18		
125	817 00 05-12		
	Screw 5/16-18 x 3/4		
143	817 49 05-08		
	Screw 5/16-18 x 1/2		
153	532 12 47-88		
	Retainer Spring		
159	876 02 04-12		
	Pin Cotter 1/8 x 3/4		
160	532 16 94-84		
	Retainer Clip		
161	532 10 57-09		
	Spring, Return, Clutch		
163	532 40 10-34		
	Rod Pedal Control		
166	532 19 72-90		
	Nut Push		
167	532 40 52-57		
	Latch Brake Parking		
170	532 19 43-22		
	Keeper Belt Centerspan		

NOTE: All component dimensions given in U.S. inches
1 inch = 25.4 mm

**TRACTOR - MODEL NO. YTH2348 (96043005901), PRODUCT NO. 960 43 00-59
ENGINE**



SPARK ARRESTER KIT

engine-tex_bs-2cyl_9_r2

**TRACTOR - MODEL NO. YTH2348 (96043005901), PRODUCT NO. 960 43 00-59
ENGINE**

KEY PART NO. NO.	DESCRIPTION
1 -----	Engine Briggs Model No. 445577
2 532 14 97-23	Muffler
9 532 19 43-20	Keeper Belt Engine
11 532 40 00-08	Clutch Electric
12 532 40 50-97	Pulley Engine
15 532 40 00-21	Tank Fuel
18 532 19 42-67	Cap Asm
20 532 17 83-85	Control Throttle
21 532 41 63-58	Screw #10 x 0.750 BOS Thread
22 532 19 15-96	Control Choke
28 532 40 11-35	Fuel Line
29 532 13 71-80	Spark Arrester Kit
37 532 12 34-87	Clamp Hose
41 532 12 61-97	Washer 1-1/2 OD x 15/32 ID x .250
42 810 04 07-00	Washer Lock 7/16
45 873 51 04-00	Nut Keps Hex 1/4-20 unc
62 532 14 66-29	Shield Heat Muffler
69 532 16 53-91	Gasket
70 532 15 99-55	Tube Exhaust LH
71 532 16 05-89	Tube Exhaust RH
79 532 18 39-06	Screw Socket Head 5/16-18 x 1
81 532 14 84-56	Tube Drain Oil Easy
82 532 18 16-54	Plug Drain Oil
84 817 06 06-20	Screw 3/8-16 x 1-1/4
85 532 17 39-37	Bolt Hex 7/16-20 x 4 Gr. 5
87 532 17 18-77	Bolt 5/16-18 unc x 1 w/Sems
90 817 00 06-16	Screw 3/8-16 x 1
91 532 18 74-95	Bushing 1.375 OD

NOTE: All component dimensions given in U.S. inches
1 inch = 25.4 mm

For engine service and replacement parts, call the toll free
number for your engine manufacturer listed below:

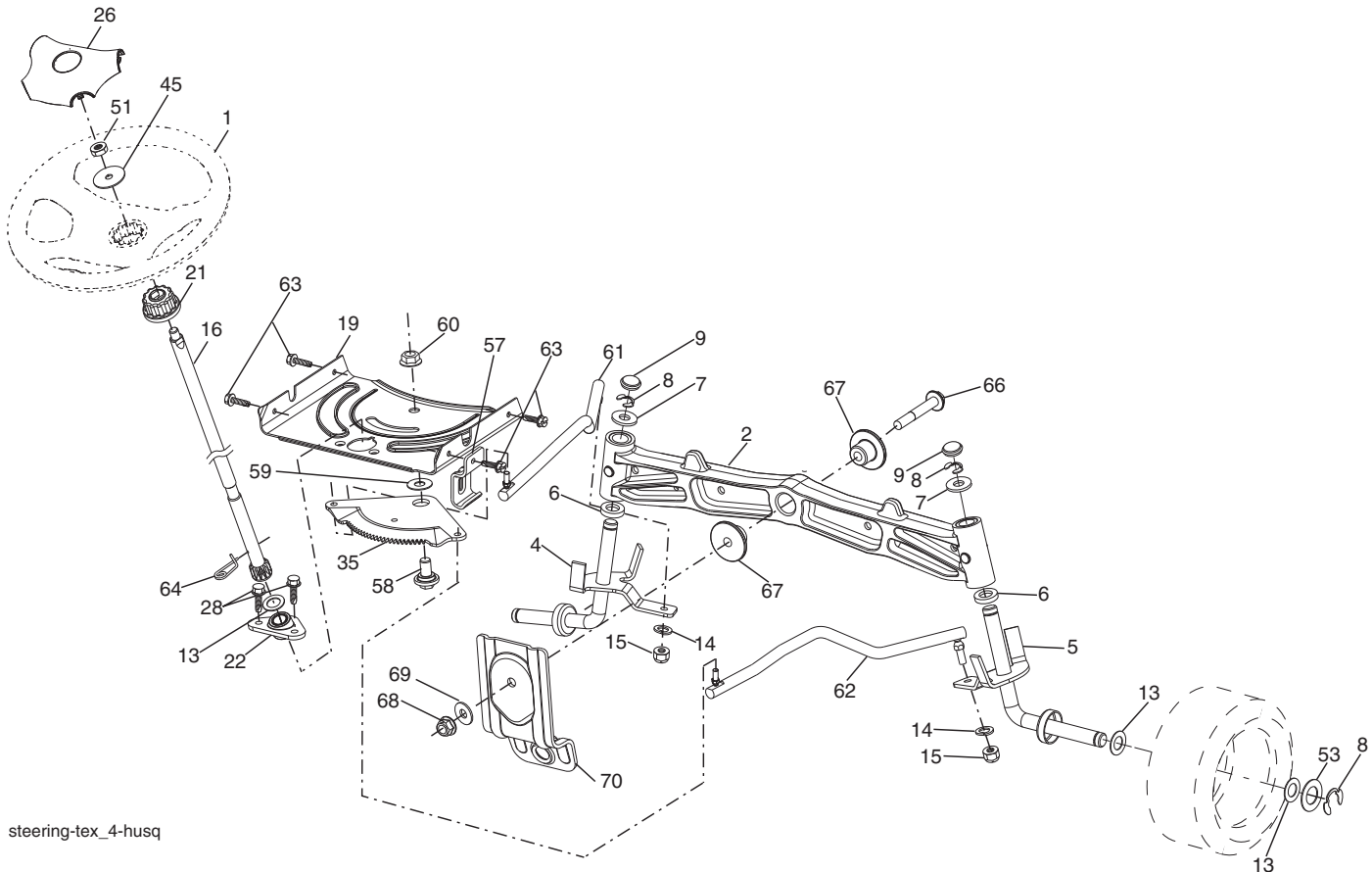
Briggs & Stratton 1-800-233-3723

Engine Power Rating Information

The gross power rating for individual gas engine models is labeled in accordance with SAE (Society of Automotive Engineers) code J11940 (Small Engine Power & Torque Rating Procedure), and rating performance has been obtained and corrected in accordance with SAE J1995 (Revision 2002-5). Actual gross engine power will be lower and is affected by, among other things, ambient operating conditions and engine-to-engine variability. Given both the wide array of products on which engines are placed and the variety of environmental issues applicable to operating the equipment, the gas engine will not develop the rated gross power when used in a given piece of power equipment (actual "on-site" or net horsepower). This difference is due to a variety of factors including, but not limited to, accessories (air cleaner, exhaust, charging, cooling, carburetor, fuel pump, etc.), application limitations, ambient operating conditions (temperature, humidity, altitude), and engine-to-engine variability. Due to manufacturing and capacity limitations, Briggs & Stratton may substitute an engine of higher rated power for this Series engine.

TRACTOR - MODEL NO. YTH2348 (96043005901), PRODUCT NO. 960 43 00-59

STEERING ASSEMBLY



steering-tex_4-husq

KEY PART NO. NO.

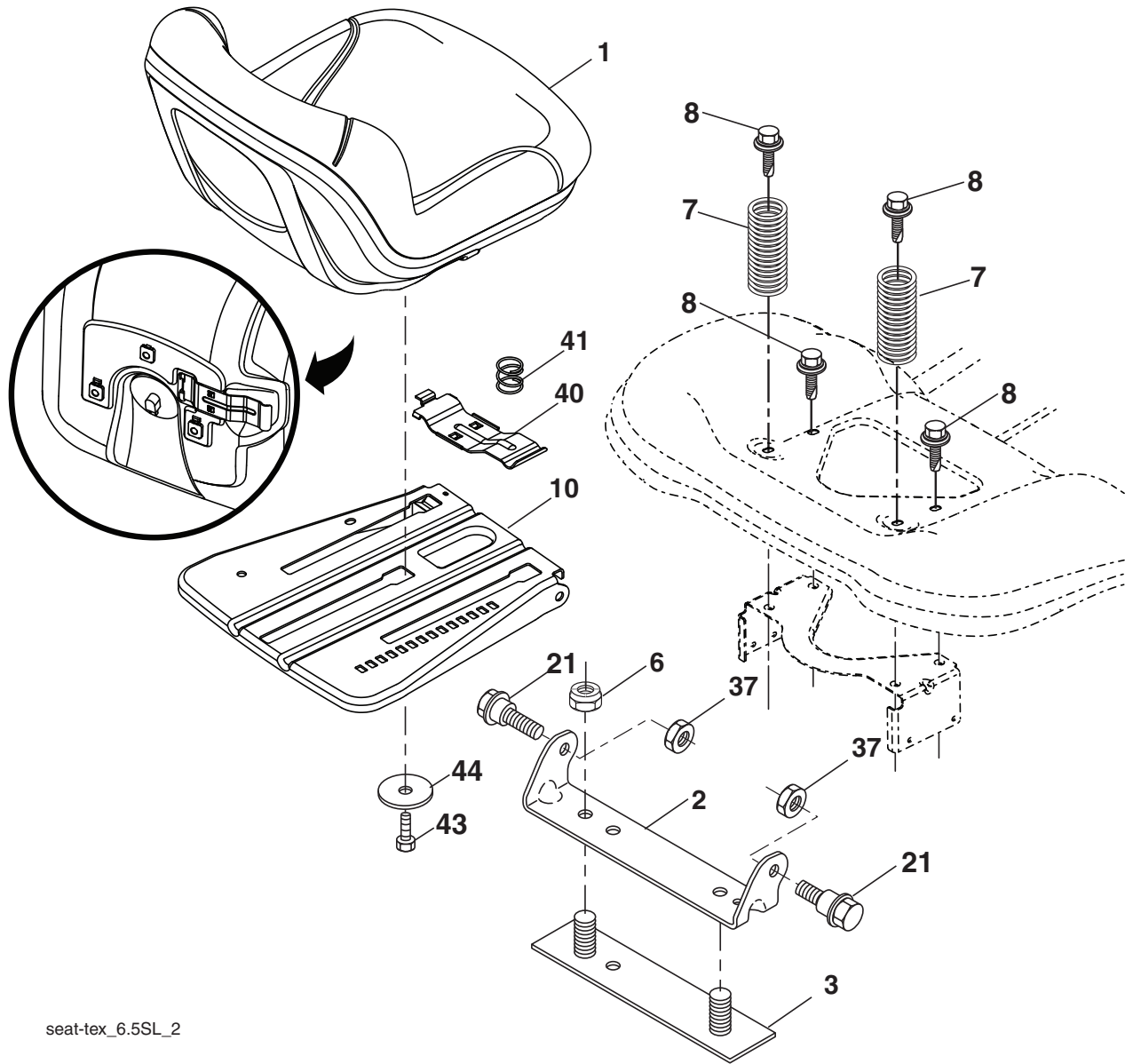
KEY PART NO.	NO.	DESCRIPTION
1	532 42 34-69	Wheel, Steering
2	532 19 59-68	Axle Asm., Front
4	532 40 30-87	Spindle Asm., LH
5	532 40 30-88	Spindle Asm., RH
6	532 12 49-31	Bearing, Race Thrust Harden
7	532 12 17-48	Washer 25/32 x 1-5/8 x 16 Ga.
8	812 00 00-29	Ring, Clip #T5304-75
9	532 12 12-32	Cap, Spindle
13	532 12 17-49	Washer 25/32 x 1-1/4 x 16 Ga.
14	810 04 06-00	Washer, Lock Hvy Hlcl Spr 3/8
15	873 54 06-00	Nut, Crown Lock 3/8-24 unf
16	532 40 82-19	Shaft Steering
19	532 19 47-29	Plate Steering
21	532 18 67-37	Adapter, Wheel Steering
22	532 19 48-45	Bushing, Strg. Blk
26	532 41 59-87	Insert, Wheel Steering
28	817 00 06-12	Screw 3/8-16 x 3/4
35	532 19 47-32	Gear, Sector Plate
45	819 18 38-12	Washer 9/16 x 2-3/8 x 12 Ga.

KEY PART NO. NO.

KEY PART NO.	NO.	DESCRIPTION
51	873 94 08-00	Nut Hex Jam Toplock 1/2-20 unf
53	532 18 89-67	Washer Hardened .793 x 1.637 x .060
57	532 19 72-46	Bracket Upstop
58	532 19 47-47	Bolt Shoulder Sector Pivot CFM
59	532 19 47-48	Washer Thrust Sector Steering
60	873 97 10-00	Nut Flange Lock 5/8-11
61	532 19 47-40	Draglink, LH
62	532 19 47-41	Draglink, RH
63	817 00 05-12	Screw 5/16-18 x 3/4
64	532 19 98-49	Retainer Clip Spring Steering
66	871 02 07-48	Bolt Hex Fghd 7/16-14 x 3 Serr
67	532 19 47-37	Bushing PM Front Axle
68	873 90 07-00	Nut Lock Flange 7/16-14 Gr. 5
69	532 19 91-62	Washer 1.5 x .505 x .118
70	532 19 61-97	Bracket Deck Susp. Front

NOTE: All component dimensions given in U.S. inches
1 inch = 25.4 mm

**TRACTOR - MODEL NO. YTH2348 (96043005901), PRODUCT NO. 960 43 00-59
SEAT ASSEMBLY**



seat-tex_6.5SL_2

**KEY PART
NO. NO.**

DESCRIPTION

1	532 40 66-21	Seat
2	532 18 01-66	Bracket Pivot Fender
3	532 14 06-75	Strap, Asm Fender
6	873 80 06-00	Nut, Lock w/Ins. 3/8-16 unc
7	532 12 41-81	Spring, Seat Cprsn
8	532 17 18-77	Bolt 5/16-18 unc x 3/4 w/Sems
10	532 19 69-77	Pan, Seat
21	532 17 18-52	Bolt, Shoulder 5/16-18

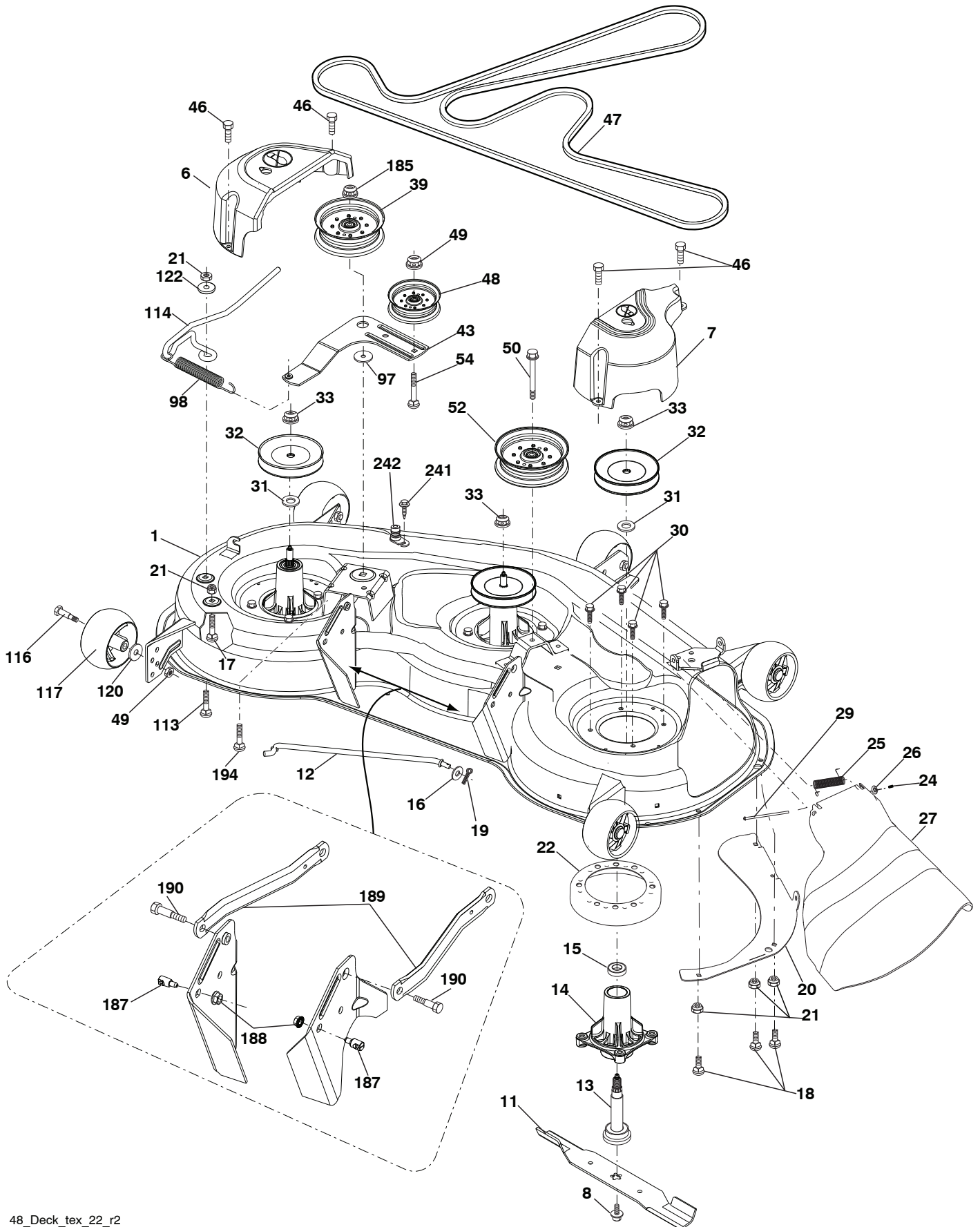
**KEY PART
NO. NO.**

DESCRIPTION

37	873 80 05-00	Nut, Lock 5/16-18 unc
40	532 19 76-61	Handle Slide Seat
41	532 19 82-00	Spring Latch Seat
43	874 76 06-12	Bolt 3/8-16 x 3/4
44	819 13 38-12	Washer 13/32 x 2-3/8 x 12 Ga.

NOTE: All component dimensions given in U.S. inches
1 inch = 25.4 mm

TRACTOR - MODEL NO. YTH2348 (96043005901), PRODUCT NO. 960 43 00-59
MOWER DECK



48_Deck_tex_22_r2

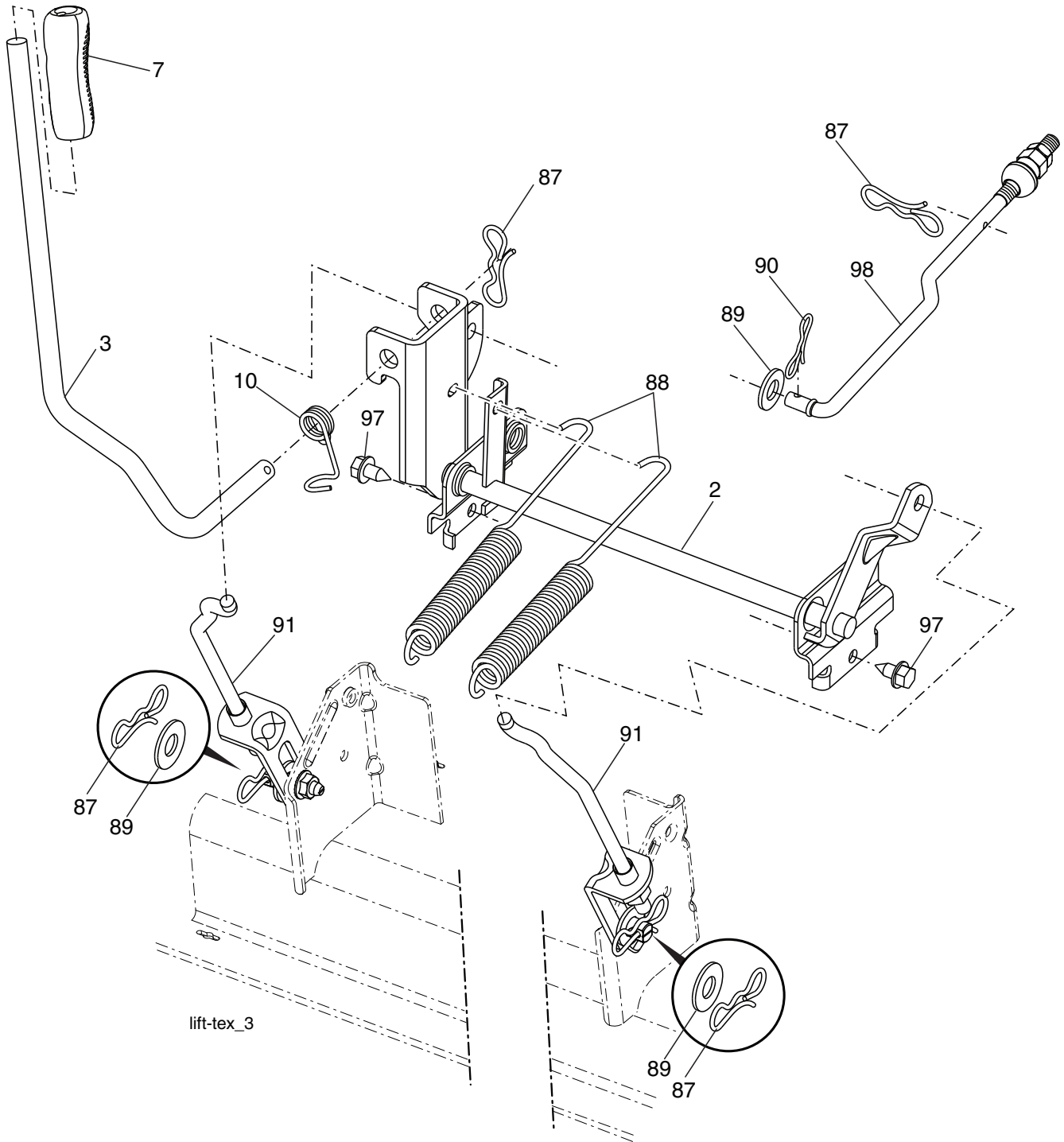
**TRACTOR - MODEL NO. YTH2348 (96043005901), PRODUCT NO. 960 43 00-59
MOWER DECK**

KEY PART NO. NO.	DESCRIPTION
1	532 40 35-82 Deck Weldment Mower
6	532 19 72-48 Cover Mandrel LH
7	532 19 91-02 Cover Mandrel RH
8	532 19 30-03 Bolt/Washer Asm. 7/16-20 unf
11	532 18 00-54 Blade High Lift
--	532 17 39-21 Blade Mulching
12	532 40 48-51 Rod Anti Sway
13	532 18 72-91 Shaft Asm. w/Lower Bearing
14	532 18 72-81 Housing, Mandrel
15	532 11 04-85 Bearing, Ball, Mandrel
16	819 13 13-12 Washer 13/32 x 13/16 x 12 Ga.
17	872 11 05-05 Bolt 5/16-18 x 5/8
18	872 14 05-05 Bolt RdHd 5/16-18 unc x 5/8
19	532 19 42-08 Pin Cotter 5/16 Bow Tie Lock
20	532 17 43-78 Baffle Vortex
21	873 68 05-00 Nut, Crownlock 5/16-18 unc
22	532 17 44-93 Stripper Mandrel
24	532 10 53-04 Cap Sleeve
25	532 17 81-02 Spring, Torsion
26	532 11 04-52 Nut, Push
27	532 18 17-07 Deflector Shield
29	532 13 14-91 Rod, Hinge
30	532 17 39-84 Screw, Thdroll Washer Head
31	532 18 76-90 Washer, Spacer Mower Vented
32	532 15 35-32 Pulley, Mandrel
33	532 40 02-34 Nut, Flg. Top Lock
39	532 19 73-80 Pulley, Idler, 4.50 HUB
43	532 19 60-65 Arm, Idler
46	532 13 77-29 Screw, Thdroll. 1/4-20 x 5/8
47	532 19 72-42 Belt Deck Drive

KEY PART NO. NO.	DESCRIPTION
48	532 19 31-97 Pulley Idler Primary
49	873 90 06-00 Nut, Lock Flg. 3/8-16 unc
50	817 49 06-36 Screw TT 3/8-16 x 2-1/4
52	532 19 73-79 Pulley Idler 4.50 RAW
54	872 11 06-12 Bolt Carr. Sh 3/8-16 x 1-1/2 Gr. 5
97	532 17 85-15 Washer Hardened
98	532 19 61-05 Spring Drive
113	872 11 05-08 Bolt Rdhd Sqnk 5/16-18 x 3/4
114	532 19 74-51 Rod Tension Relief
116	532 19 34-06 Bolt, Shoulder
117	532 17 48-73 Gauge Wheel
120	819 13 20-12 Washer 13/32 x 1-1/4 x 12 Ga.
122	532 18 75-57 Bushing Tension Relief
185	873 90 07-00 Nut Lock Flange 7/16-14 Gr. 5
187	532 19 51-61 Stud Fastener w/"D" Anti-Rotation
188	873 90 05-00 Nut Lock Hex Flange
189	532 19 51-85 Arm Susp. Mower Rear
190	532 19 65-39 Bolt Shoulder
194	872 14 07-16 Bolt Carr Sqnk 7/16-24 x 2
241	532 15 29-27 Screw TT #10-32.5 3/8 Flange
242	532 41 55-98 Port, Washout
--	532 18 72-92 Mandrel Assembly (Includes housing, shaft assembly, and bearing only - pulley/nut/washer and blade bolt/washers not included)
--	532 40 12-39 Replacement Mower, Complete

NOTE: All component dimensions given in U.S. inches
1 inch = 25.4 mm

**TRACTOR - MODEL NO. YTH2348 (96043005901), PRODUCT NO. 960 43 00-59
MOWER LIFT**



**KEY PART
NO. NO.**

DESCRIPTION

2	532 19 52-23	Shaft Asm., Lift
3	532 19 52-31	Lever Asm., Lift
7	532 41 15-55	Grip, Lever
10	532 19 63-14	Spring Torsion
87	532 19 42-09	Pin Cotter 7/16 Bow Tie Lock
88	532 41 07-10	Spring Lift Assist
89	819 19 19-12	Washer Clear Zinc

**KEY PART
NO. NO.**

DESCRIPTION

90	532 19 42-08	Pin Cotter 5/16 Bow Tie Lock
91	532 19 51-81	Link Lift Susp Mower Rear
97	817 00 06-12	Screw 3/8-16 x .75
98	532 19 52-64	Link Lift Susp. Front Mower

NOTE: All component dimensions given in U.S. inches
1 inch = 25.4 mm