

Repair Parts Manual Manual De Repuestos

YTH23V48/96043017500

Please read the operator's manual carefully and make sure you understand the instructions before using the machine.

Por favor lea cuidadosamente y comprenda estas intrucciones antes de usar esta maquina.



English/Spanish



586 02 27-27

HOW TO USE THIS MANUAL

This manual is designed to provide the customer with a means to identify the parts on his/her tractor when ordering repair parts. The illustrations may or may not represent the actual assemblies; therefore, it is not recommended to use this manual as a guide to assemble or disassemble the tractor. Some hardware and parts are drawn larger in order to more readily identify them.

Each tractor has its own model number.

The model number for your tractor can be found on the fender under the seat.

When ordering parts, always give the following information:

- Product - "TRACTOR"
- MODEL NUMBER - "YTH23V48" (96043017500)"
- Part Number
- Part Description

TABLE OF CONTENTS

| | |
|-----------------|-------|
| SCHEMATIC | 3 |
| ELECTRICAL..... | 4-5 |
| CHASSIS | 6-7 |
| DRIVE..... | 8-9 |
| ENGINE..... | 10-11 |
| STEERING | 12-13 |
| MOWER DECK..... | 14-15 |
| MOWER LIFT..... | 16 |
| SEAT | 17 |
| DECALS..... | 18 |

COMO UTILIZAR ESTE MANUAL

Este manual está diseñado para brindarle al comprador un medio para identificar las piezas del tractor para cuando necesite hacer el pedido de un repuesto. Las ilustraciones pueden o no representar los ensambles reales; por lo tanto, no se recomienda utilizar este manual como una guía para ensamblar o desarmar el tractor. Algunos accesorios y piezas están dibujados en tamaños más grandes para identificarlos con mayor facilidad.

Cada tractor tiene su propio número de modelo.

El número de modelo del tractor se encuentra en el guardabarros debajo del asiento.

Cuando haga el pedido de una pieza, siempre brinde la siguiente información:

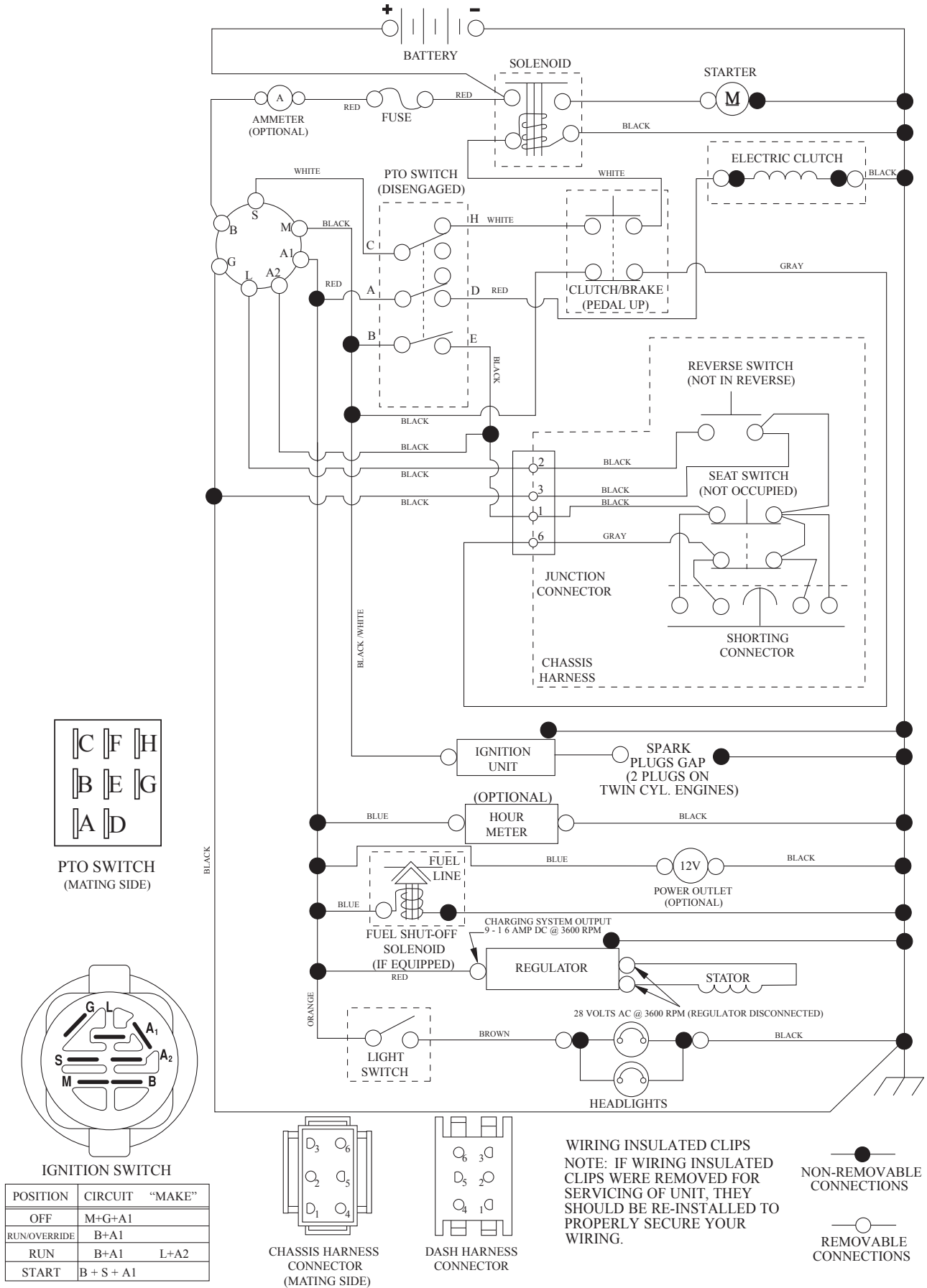
- Producto: "TRACTOR"
- NÚMERO DE MODELO: "YTH23V48" (96043017500)"
- Número de pieza
- Descripción de la pieza

ÍNDICE

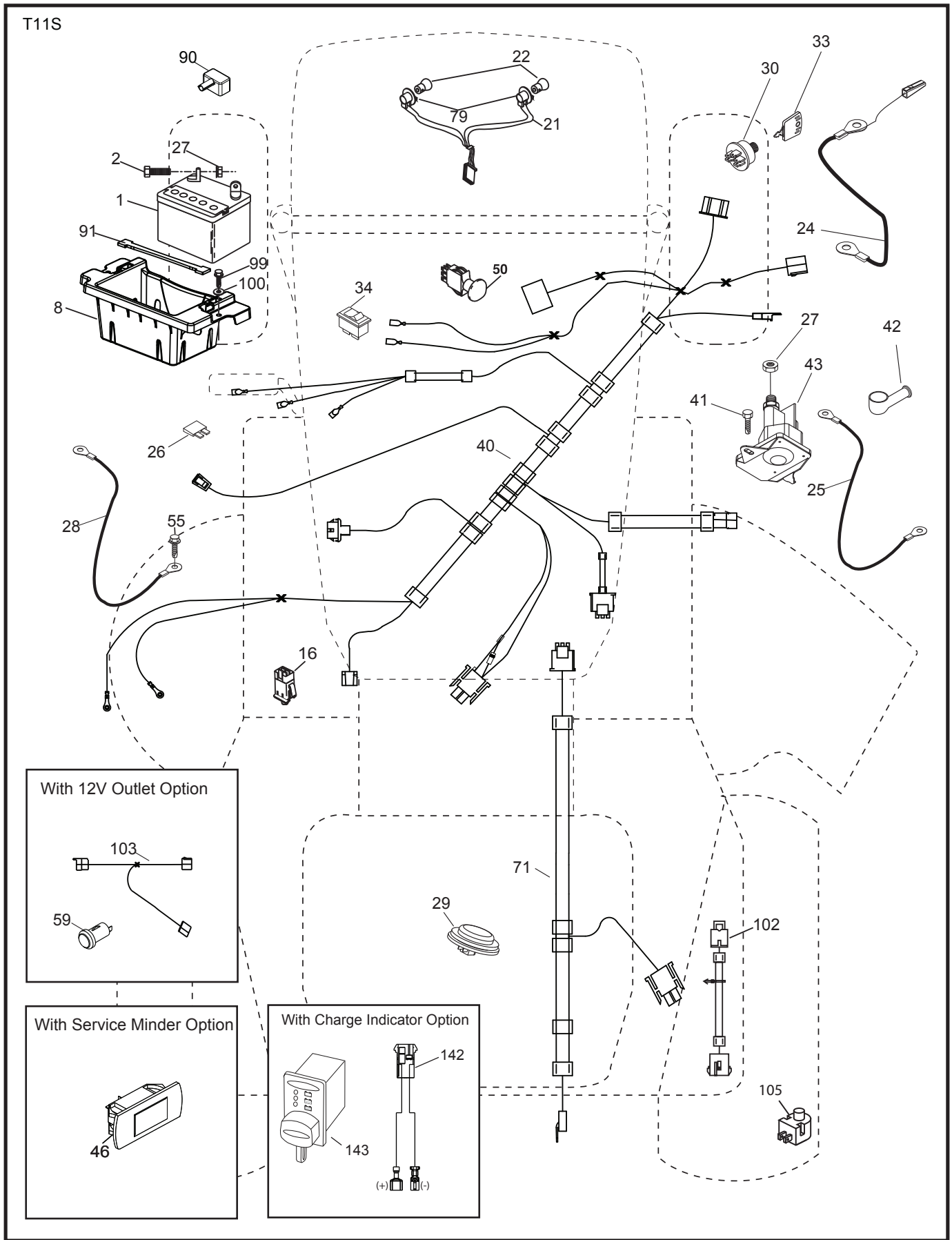
| | |
|---|-------|
| DIAGRAMA..... | 19 |
| DIAGRAMA ELÉCTRICO | 20-21 |
| CHASIS..... | 22-23 |
| TRANSMISIÓN | 24-25 |
| MOTOR | 26-27 |
| DIRECCIÓN | 28-29 |
| PLATAFORMA DE LA CORTADORA DE CÉSPED..... | 30-31 |
| ELEVACIÓN DE LA CORTADORA DE CÉSPED..... | 32 |
| ASIENTO..... | 33 |
| CALCOMANÍAS..... | 34 |

TRACTOR - MODEL NO. YTH23V48 (96043017500), PRODUCT NO. 960 43 01-75 SCHEMATIC

SCH12



**TRACTOR - MODEL NO. YTH23V48 (96043017500), PRODUCT NO. 960 43 01-75
ELECTRICAL**

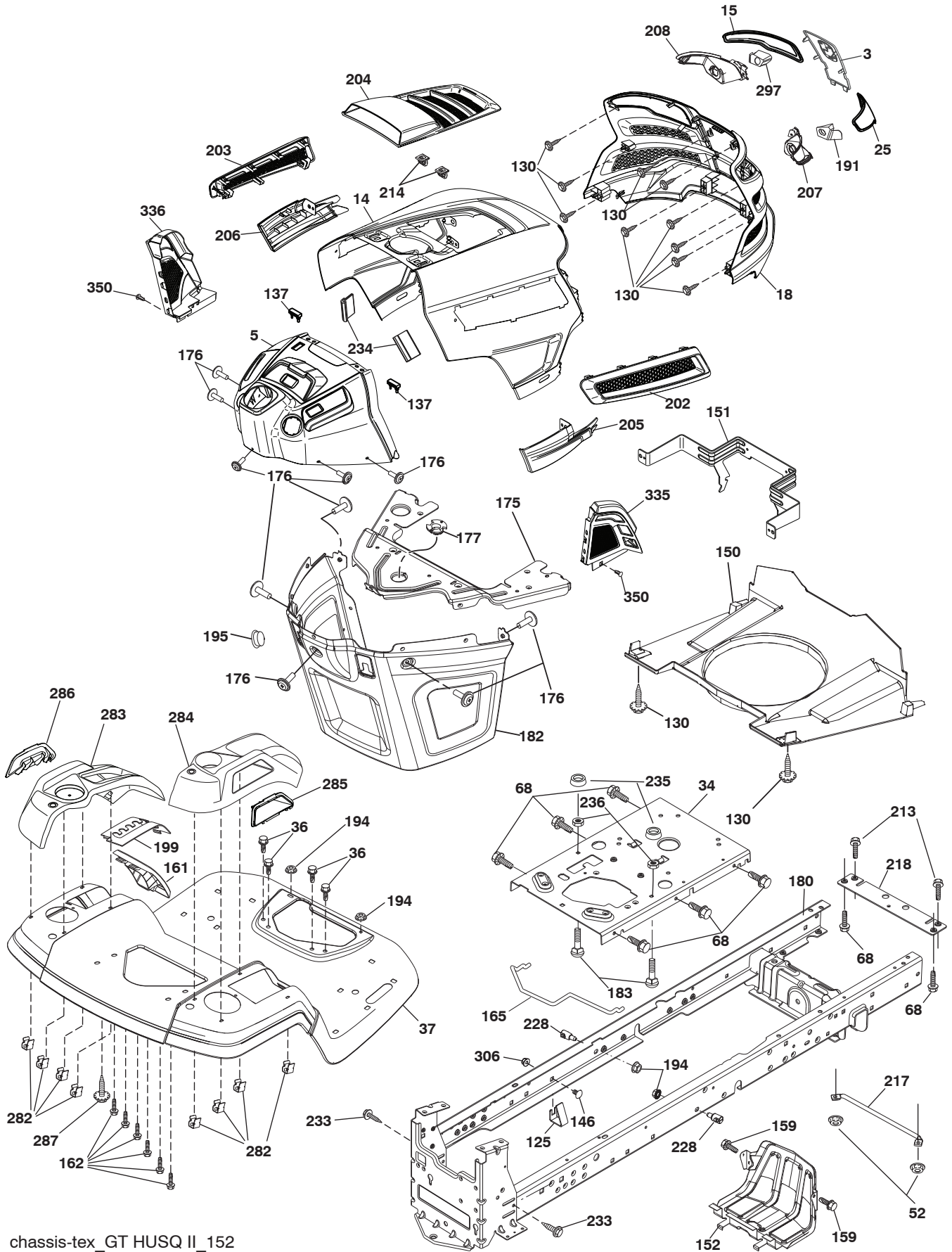


**TRACTOR - MODEL NO. YTH23V48 (96043017500), PRODUCT NO. 960 43 01-75
ELECTRICAL**

| KEY NO. | PART NO. | DESCRIPTION |
|----------------|-----------------|----------------------------------|
| 1 | 532 16 34-65 | Battery |
| 2 | 874 76 04-12 | Bolt Hex Hd 1/4-20 unc x 3/4 |
| 8 | 532 18 64-91 | Battery Box |
| 16 | 532 17 61-38 | Switch Bagger Present |
| 21 | 532 40 02-52 | Harness Socket Light |
| 22 | 532 00 41-52 | Bulb, Light #1156 |
| 24 | 532 40 02-53 | Cable Battery |
| 25 | 585 55 55-01 | Cable Starter |
| 26 | 532 17 51-58 | Fuse |
| 27 | 873 51 04-00 | Nut Keps Hex 1/4-20 unc |
| 28 | 532 14 54-91 | Cable Ground 21" Blk 6 Ga. |
| 29 | 532 40 15-45 | Switch Seat |
| 30 | 532 19 33-50 | Switch Ign |
| 33 | 532 41 19-33 | Key/Chain |
| 34 | 532 11 07-12 | Switch Light/Reset |
| 40 | 532 40 11-04 | Harness Ign. Dash |
| 41 | 817 72 04-08 | Screw Thd Cut 1/4-20 x 1/2 |
| 42 | 532 13 15-63 | Cover Terminal Red |
| 43 | 532 19 25-07 | Solenoid |
| 46 | 532 40 17-63 | Gauge Hourmeter |
| 50 | 532 17 46-51 | Switch PTO |
| 55 | 817 06 05-12 | Screw Thdrol 5/16-18 x 3/4 |
| 71 | 532 19 42-76 | Harness Ign Chassis |
| 79 | 532 17 52-42 | Socket Asm. Bulb Twistlock |
| 90 | 532 43 53-95 | Cover Terminal Battery |
| 91 | 532 19 02-70 | Strap Battery |
| 99 | 817 67 04-12 | Screw Hexwsh Thdrol 1/4-20 x 3/4 |
| 100 | 819 09 14-16 | Washer 9/32 x 7/8 x 16 Ga. |
| 102 | 532 40 44-54 | Harness Pigtail |
| 105 | 532 40 75-68 | Switch Reverse TT Pedal Control |

NOTE: All component dimensions given in U.S. inches
1 inch = 25.4 mm

**TRACTOR - MODEL NO. YTH23V48 (96043017500), PRODUCT NO. 960 43 01-75
CHASSIS**



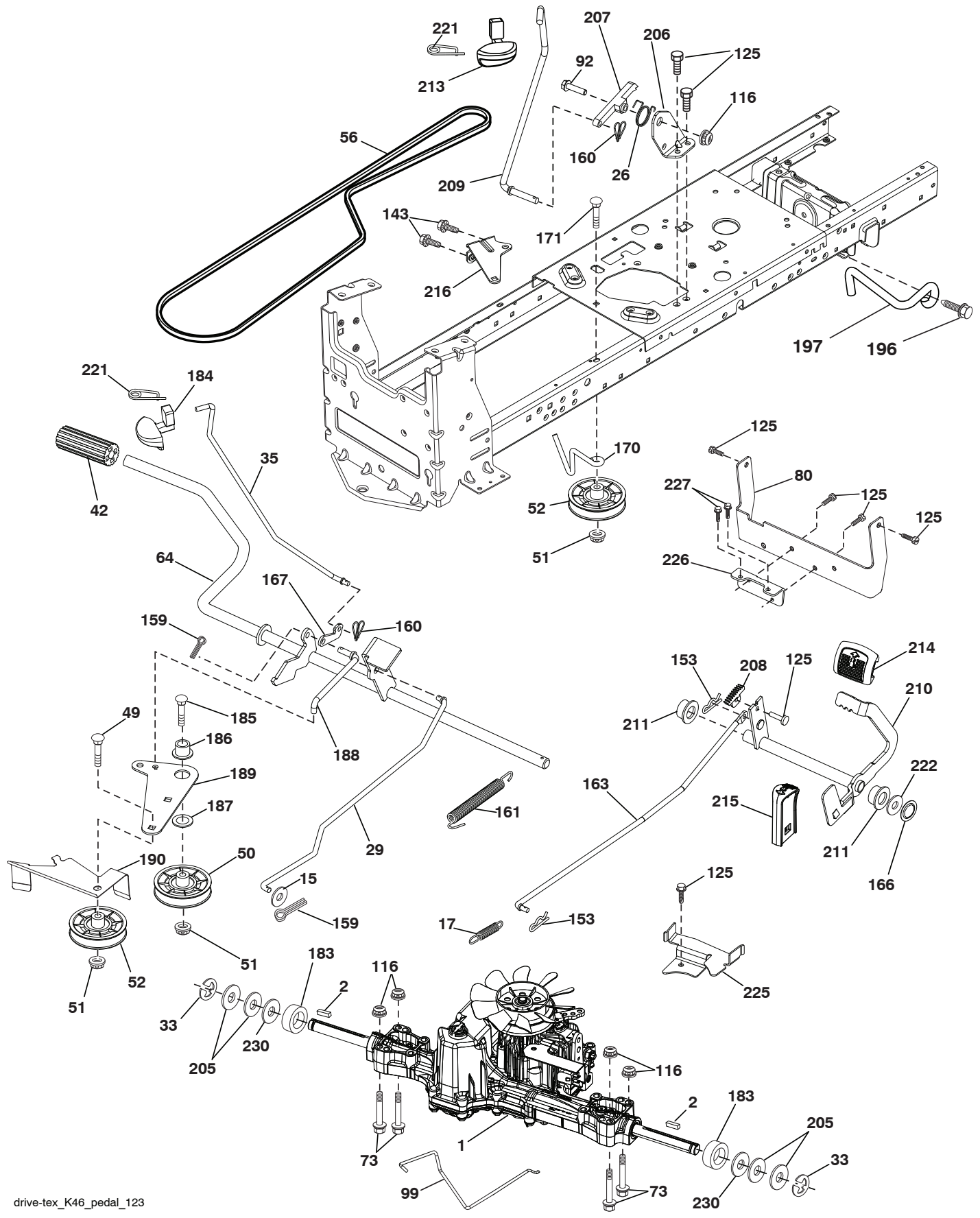
chassis-tex_GT HUSQ II_152

**TRACTOR - MODEL NO. YTH23V48 (96043017500), PRODUCT NO. 960 43 01-75
CHASSIS**

| KEY NO. | PART NO. | DESCRIPTION | KEY NO. | PART NO. | DESCRIPTION |
|----------------|-----------------|---------------------------------|----------------|-----------------|---------------------------------|
| 3 | 532 44 44-81 | Logo | 202 | 532 43 97-28 | Vent Side Hood RH |
| 5 | 532 43 74-83 | Dash | 203 | 532 43 97-27 | Vent Side Hood LH |
| 14 | 532 44 11-77 | Hood | 204 | 532 43 57-14 | Vent Top Hood |
| 15 | 532 43 97-33 | Lens LH | 205 | 532 43 97-30 | Trim Hood Side RH |
| 18 | 532 44 06-53 | Grille | 206 | 532 43 97-29 | Trim Hood Side LH |
| 25 | 532 44 33-85 | Lens RH | 207 | 532 43 97-34 | Bezel RH |
| 34 | 580 91 08-01 | Plate Engine | 208 | 532 43 97-35 | Bezel LH |
| 36 | 817 06 05-12 | Screw 5/16-18 x 3/4 | 213 | 874 76 05-12 | Bolt 5/16-18 unc x 3/4 |
| 37 | 532 44 11-78 | Fender | 214 | 532 19 91-45 | Clip Retainer Tinner |
| 52 | 873 68 05-00 | Nut Lock 5/16-18 | 217 | 532 40 91-67 | Rod Pivot |
| 68 | 817 49 05-08 | Screw 5/16-18 x 1/2 | 218 | 532 19 63-95 | X-Piece Hood Stop |
| 125 | 581 68 48-01 | Clip Fuel Line | 228 | 532 19 51-61 | Stud Fastner |
| 130 | 532 41 63-58 | Screw #10 x 0.750 BOS Thread | 233 | 532 19 65-39 | Bolt, Shoulder |
| 137 | 532 40 75-90 | Bumper Dash | 234 | 532 40 47-42 | Bumper Hood |
| 146 | 581 85 79-01 | Bolt | 235 | 532 40 61-29 | Spacer Fender |
| 150 | 532 43 97-74 | Air Duct | 236 | 873 93 05-00 | Nut Lock 5/16-18 unc |
| 151 | 532 43 66-70 | Pivot Bracket | 282 | 532 41 41-10 | Clip Retainer Console |
| 152 | 532 43 60-86 | Shield Browning | 283 | 532 43 98-61 | Console Asm. Decklift |
| 159 | 817 00 06-12 | Screw 3/8-16 3/4 | 284 | 532 43 98-23 | Console Asm. |
| 161 | 532 43 97-81 | Window Fuel | 285 | 532 41 63-15 | Console Insert RH |
| 162 | 532 14 24-32 | Screw | 286 | 532 41 63-17 | Console Insert LH |
| 165 | 532 19 68-26 | Support Tank Rear | 287 | 817 60 04-06 | Screw Hex Washhead 1/4-20 x 3/8 |
| 175 | 532 19 63-04 | Crossmember | 297 | 532 43 74-56 | Insert Reflective LH |
| 176 | 532 40 07-76 | Screw 10-24 x 5/8 | 306 | 873 90 06-00 | Nut Lock |
| 177 | 532 19 52-27 | Bushing Steering | 335 | 532 44 82-04 | Cover Lower Dash RH |
| 180 | 532 19 54-57 | Chassis | 336 | 532 44 53-09 | Cover Lower Dash LH |
| 182 | 532 40 68-59 | Dash Lower | 350 | 532 44 51-43 | Clip X-mas Tree |
| 183 | 874 52 05-20 | Bolt 5/16-18 x 1-1/4 Full. Thd. | | | |
| 191 | 532 43 74-55 | Insert Reflective RH | | | |
| 194 | 873 90 05-00 | Nut Lock Hex Flange 5/16-18 | | | |
| 195 | 532 40 41-37 | Plug Hole Dash Lower | | | |
| 199 | 532 41 34-85 | Plate Deck Lift | | | |

NOTE: All component dimensions given in U.S. inches
1 inch = 25.4 mm

**TRACTOR - MODEL NO. YTH23V48 (96043017500), PRODUCT NO. 960 43 01-75
DRIVE**



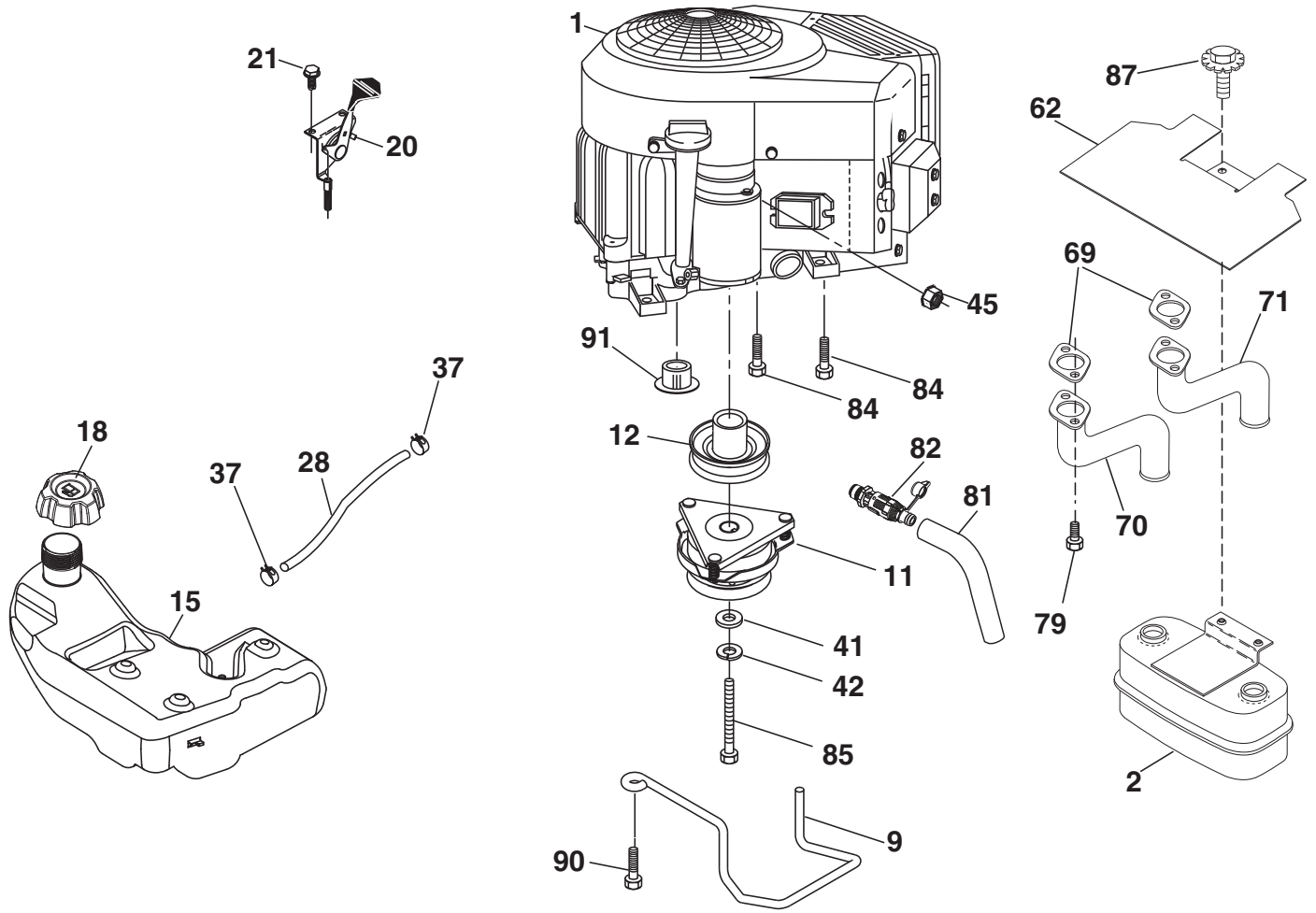
drive-tex_K46_pedal_123

TRACTOR - MODEL NO. YTH23V48 (96043017500), PRODUCT NO. 960 43 01-75 DRIVE

| KEY NO. | PART NO. | DESCRIPTION | KEY NO. | PART NO. | DESCRIPTION |
|---------|--------------|---|---------|--------------|-------------------------------------|
| 1 | --- | Transaxle, TUFFTORQ K46 BT (426120)(Order parts from transaxle manufacturer.) | 171 | 872 11 06-16 | Bolt RDHD SQNK 3/8-16 unc x 2 |
| 2 | 532 12 35-83 | Key | 183 | 532 13 70-57 | Spacer Split |
| 15 | 819 13 13-16 | Washer 13/32 x 13/16 x 16 Ga. | 184 | 532 44 14-55 | Handle Parking Brake |
| 17 | 532 41 36-78 | Spring, Brake | 185 | 872 11 06-22 | Bolt Rdhd Sqnk 3/8-16 x 2-3/4 Gr. 5 |
| 26 | 532 19 96-79 | Spring Return Cruise | 186 | 532 19 43-21 | Spacer Retainer |
| 29 | 532 40 38-06 | Rod, Brake | 187 | 819 13 32-10 | Washer |
| 33 | 812 00 00-01 | Ring E | 188 | 532 19 43-23 | Link Clutch Ground Drive |
| 35 | 583 86 45-01 | Rod, Brake, Park | 189 | 532 19 43-17 | Bellcrank Ground Drive |
| 42 | 532 12 48-72 | Cover, Foot Pedal | 190 | 532 19 43-18 | Keeper Bellcrank Ground Drive |
| 49 | 872 11 06-14 | Bolt | 196 | 817 00 06-16 | Screw 3/8-16 x 1 |
| 50 | 532 19 43-27 | Pulley Idler Flat | 197 | 532 19 58-04 | Bracket Clutch Anti-Rotation |
| 51 | 873 90 06-00 | Lock Nut 3/8-16 | 205 | 532 12 17-48 | Washer |
| 52 | 532 19 43-26 | Idler V-Groove | 206 | 532 44 85-96 | Bracket Mount Latch Cruise |
| 56 | 532 13 09-69 | V-Belt, Drive | 207 | 532 19 78-68 | Latch Control Cruise |
| 64 | 532 19 78-65 | Shaft Asm. Pedal Brake Control | 208 | 532 19 78-69 | Gear Sector Control Cruise |
| 73 | 874 49 05-40 | Bolt Hex Flghd 5/16-18 Gr. 5 | 209 | 532 19 95-92 | Rod Control Cruise |
| 80 | 532 44 06-19 | Strap Torque | 210 | 532 40 09-80 | Rocker Asm. Pedal Control |
| 92 | 874 76 05-20 | Bolt Fin Hex 5/16-18 unc x 1.25 | 211 | 532 12 01-83 | Bearing Nylon |
| 99 | 532 41 57-42 | Rod Asm. Bypass | 213 | 532 40 31-19 | Knob Control Cruise |
| 116 | 873 90 05-00 | Nut Lock Hex Flange 5/16-18 | 214 | 532 42 12-63 | Pedal Forward Pad |
| 125 | 817 00 05-12 | Screw 5/16-18 x 3/4 | 215 | 532 40 17-23 | Pedal Reverse |
| 143 | 817 49 05-08 | Screw 5/16-18 x 1/2 | 216 | 532 19 61-31 | Bracket Pulley Idler |
| 153 | 532 12 47-88 | Retainer Spring | 221 | 532 40 31-87 | Retainer Spring Clip Handle |
| 159 | 876 02 04-12 | Pin Cotter 1/8 x 3/4 | 222 | 879 21 20-10 | Washer 21/32 x 1-1/4 x 10 Ga. |
| 160 | 532 16 94-84 | Retainer Clip | 227 | 817 49 05-12 | Screw Thd. 5/16-18 x 3/4 |
| 161 | 532 10 57-09 | Spring, Return, Clutch | 225 | 532 40 33-19 | Keeper Belt Trans. |
| 163 | 532 44 82-75 | Rod Pedal Control | 226 | 532 40 15-64 | Bracket Mount Torque |
| 166 | 532 42 91-64 | Nut Push | 230 | 532 18 89-67 | Washer Hardened |
| 167 | 532 40 52-57 | Latch Brake Parking | | | |
| 170 | 532 19 43-22 | Keeper Belt Centerspan | | | |

NOTE: All component dimensions given in U.S. inches
1 inch = 25.4 mm

**TRACTOR - MODEL NO. YTH23V48 (96043017500), PRODUCT NO. 960 43 01-75
ENGINE**



SPARK ARRESTER KIT

engine-tex_bs-2cyl_47_r1

TRACTOR - MODEL NO. YTH23V48 (96043017500), PRODUCT NO. 960 43 01-75 ENGINE

| KEY NO. | PART NO. | DESCRIPTION |
|---------|--------------|---|
| 1 | — — — — — | Engine Briggs Model No. 44R777-0001-G1(585989101) (Order parts from engine manufacturer) |
| 2 | 532 44 59-62 | Muffler |
| 9 | 584 90 80-01 | Keeper Belt Engine |
| 11 | 532 40 00-08 | Clutch Electric |
| 12 | 532 40 50-97 | Pulley Engine |
| 15 | 532 43 80-80 | Tank Fuel |
| 18 | 532 43 92-08 | Cap Asm |
| 20 | 532 42 35-02 | Control Throttle/Choke |
| 21 | 532 41 63-58 | Screw #10 x 0.750 BOS Thread |
| 28 | 532 40 11-35 | Fuel Line |
| 29 | 532 13 71-80 | Spark Arrester Kit |
| 37 | 532 12 34-87 | Clamp Hose |
| 41 | 532 12 61-97 | Washer 1-1/2 OD x 15/32 ID x .250 |
| 42 | 810 04 07-00 | Washer Lock 7/16 |
| 45 | 873 51 04-00 | Nut Keps Hex 1/4-20 unc |
| 62 | 532 43 40-17 | Shield Heat Muffler |
| 69 | 532 16 53-91 | Gasket |
| 70 | 581 88 11-01 | Tube Exhaust LH |
| 71 | 581 88 10-01 | Tube Exhaust RH |
| 79 | 532 18 39-06 | Screw Socket Head 5/16-18 x 1 |
| 81 | 532 14 84-56 | Tube Drain Oil Easy |
| 82 | 532 42 82-87 | Valve Oil Drain |
| 84 | 817 06 06-20 | Screw 3/8-16 x 1-1/4 |
| 85 | 532 17 39-37 | Bolt Hex 7/16-20 x 4 Gr. 5 |
| 87 | 532 17 18-77 | Bolt 5/16-18 unc x 1 w/Sems |
| 90 | 817 00 06-16 | Screw 3/8-16 x 1 |
| 91 | 532 18 74-95 | Bushing |

NOTE: All component dimensions given in U.S. inches
1 inch = 25.4 mm

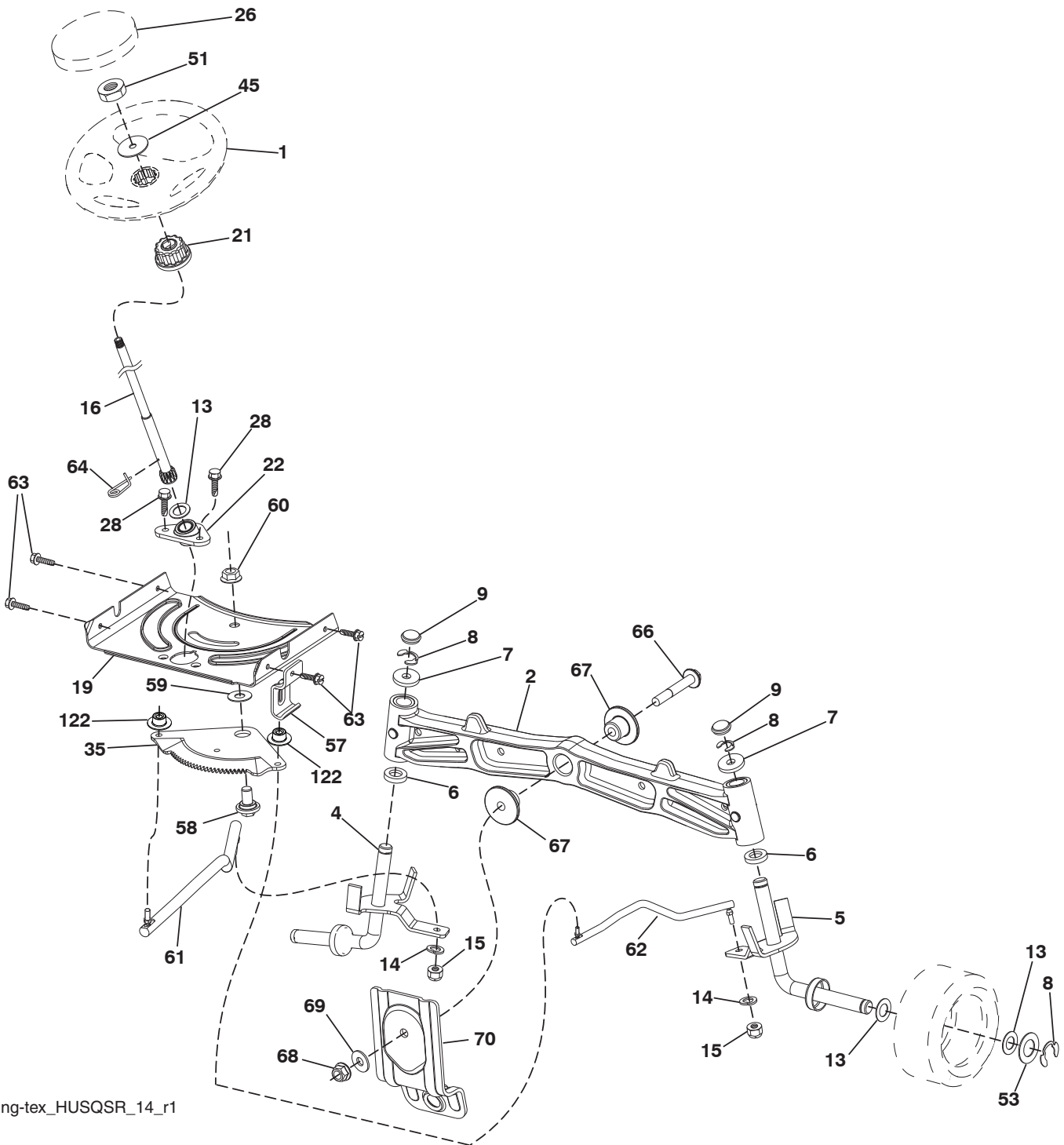
For engine service and replacement parts, call the toll free number for your engine manufacturer listed below:

Briggs & Stratton 1-800-233-3723

Engine Power Rating Information

The gross power rating for individual gas engine models is labeled in accordance with SAE (Society of Automotive Engineers) code J1940 (Small Engine Power & Torque Rating Procedure), and rating performance has been obtained and corrected in accordance with SAE J1995 (Revision 2002-05). Torque values are derived at 3060 RPM; horsepower values are derived at 3600 RPM. Actual gross engine power will be lower and is affected by, among other things, ambient operating conditions and engine-to-engine variability. Given both the wide array of products on which engines are placed and the variety of environmental issues applicable to operating the equipment, the gas engine will not develop the rated gross power when used in a given piece of power equipment (actual "on-site" or net power). This difference is due to a variety of factors including, but not limited to, accessories (air cleaner, exhaust, charging, cooling, carburetor, fuel pump, etc.), application limitations, ambient operating conditions (temperature, humidity, altitude), and engine-to-engine variability. Due to manufacturing and capacity limitations, Briggs & Stratton may substitute an engine of higher rated power for this Series engine.

TRACTOR - MODEL NO. YTH23V48 (96043017500), PRODUCT NO. 960 43 01-75
STEERING ASSEMBLY



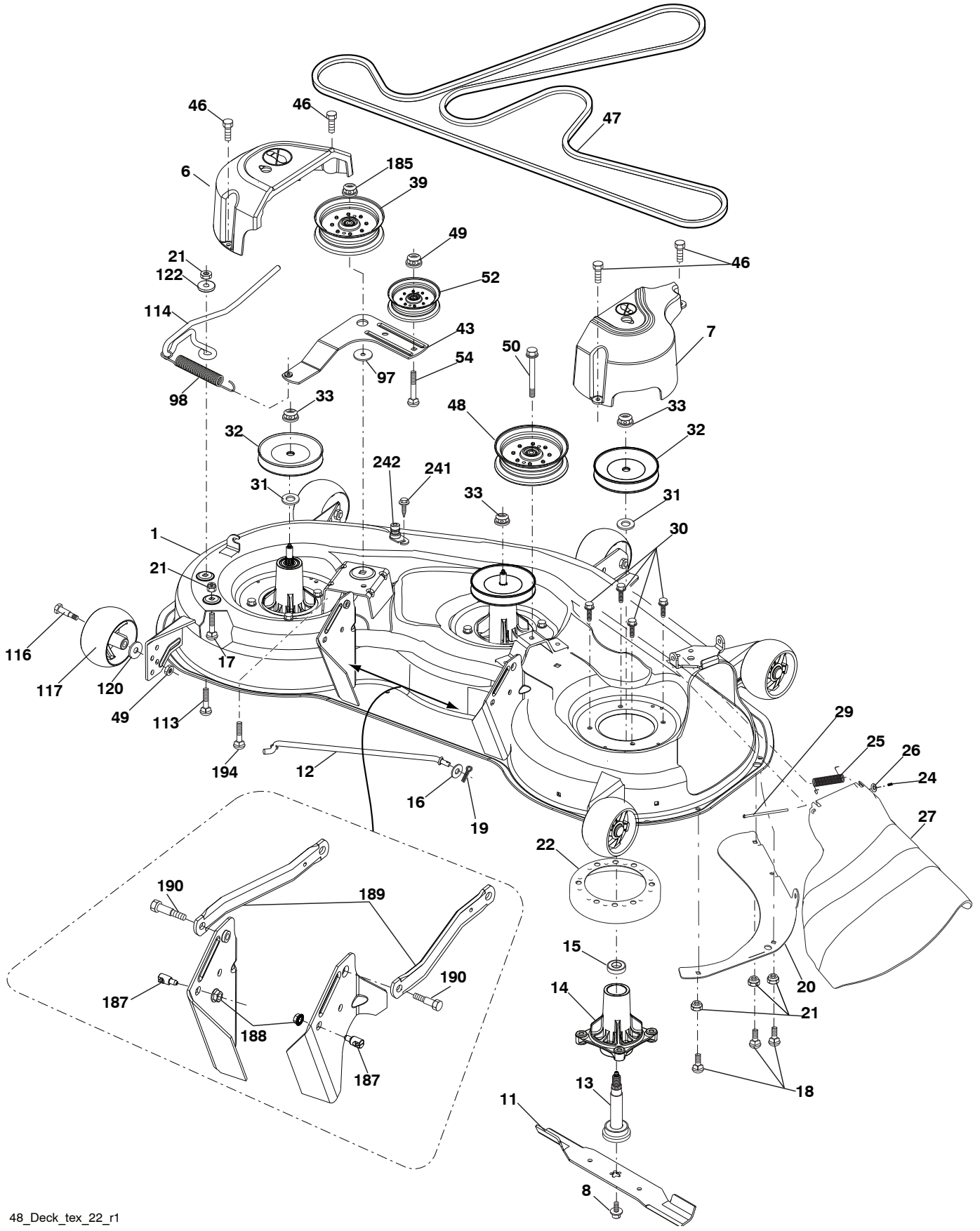
steering-tex_HUSQSR_14_r1

**TRACTOR - MODEL NO. YTH23V48 (96043017500), PRODUCT NO. 960 43 01-75
STEERING ASSEMBLY**

| KEY NO. | PART NO. | DESCRIPTION |
|----------------|-----------------|--------------------------------|
| 1 | 532 43 97-40 | Wheel, Steering |
| 2 | 532 19 59-68 | Axle Asm., Front |
| 4 | 532 40 30-87 | Spindle Asm., LH |
| 5 | 532 40 30-88 | Spindle Asm., RH |
| 6 | 532 12 49-31 | Bearing, Race Thrust Harden |
| 7 | 532 12 17-48 | Washer 25/32 x 1-5/8 x 16 Ga. |
| 8 | 812 00 00-29 | Ring, Clip #T5304-75 |
| 9 | 532 12 12-32 | Cap, Spindle |
| 13 | 532 12 17-49 | Washer 25/32 x 1-1/4 x 16 Ga. |
| 14 | 810 04 06-00 | Washer, Lock Hvy Hlcl Spr 3/8 |
| 15 | 873 54 06-00 | Nut, Crown Lock 3/8-24 unf |
| 16 | 532 40 82-19 | Shaft Steering |
| 19 | 532 19 47-29 | Plate Steering |
| 21 | 532 18 67-37 | Adapter, Wheel Steering |
| 22 | 532 42 05-37 | Steering, Support Lower |
| 26 | 532 43 97-43 | Insert, Wheel Steering |
| 28 | 817 00 06-12 | Screw 3/8-16 x 3/4 |
| 35 | 532 19 47-32 | Gear, Sector Plate |
| 45 | 819 18 38-12 | Washer 9/16 x 2-3/8 x 12 Ga. |
| 51 | 873 94 08-00 | Nut Hex Jam Toplock 1/2-20 unf |
| 53 | 532 18 89-67 | WasherHardened.793x1.637x.060 |
| 57 | 532 19 72-46 | Bracket Upstop |
| 58 | 532 19 47-47 | Bolt Shoulder Sector Pivot CFM |
| 59 | 532 19 47-48 | Washer Thrust Sector Steering |
| 60 | 873 97 10-00 | Nut Flange Lock 5/8-11 |
| 61 | 532 19 47-40 | Draglink, LH |
| 62 | 532 19 47-41 | Draglink, RH |
| 63 | 817 00 05-12 | Screw 5/16-18 x 3/4 |
| 64 | 532 19 98-49 | Retainer Clip Spring Steering |
| 66 | 871 02 07-48 | Bolt Hex Fghd 7/16-14 x 3 Serr |
| 67 | 532 19 47-37 | Bushing PM Front Axle |
| 68 | 873 90 07-00 | Nut Lock Flange 7/16-14 Gr. 5 |
| 69 | 532 19 91-62 | Washer 1.5 x .505 x .118 |
| 70 | 532 19 61-97 | Bracket Deck Susp. Front |
| 122 | 532 44 49-62 | Cap Gear Sector |

NOTE: All component dimensions given in U.S. inches
1 inch = 25.4 mm

**TRACTOR - MODEL NO. YTH23V48 (96043017500), PRODUCT NO. 960 43 01-75
MOWER DECK**



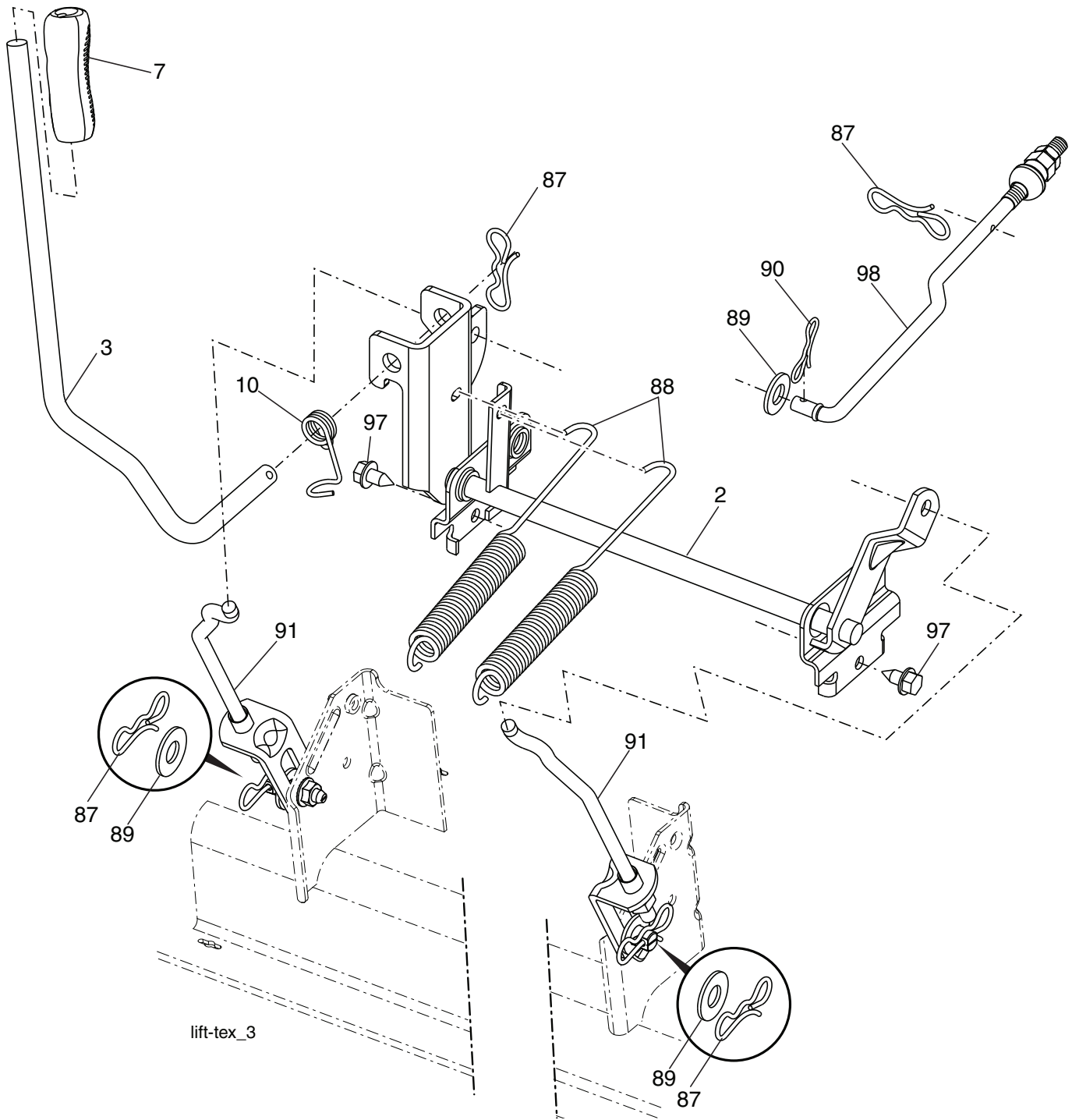
48_Deck_tex_22_r1

**TRACTOR - MODEL NO. YTH23V48 (96043017500), PRODUCT NO. 960 43 01-75
MOWER DECK**

| KEY NO. | PART NO. | DESCRIPTION | KEY NO. | PART NO. | DESCRIPTION |
|----------------|-----------------|-------------------------------|----------------|-----------------|--|
| 1 | 532 44 00-48 | Deck Weldment Mower | 52 | 532 19 31-97 | Pulley Idler 48" Primary |
| 6 | 532 19 72-48 | Cover Mandrel LH | 54 | 872 11 06-12 | Bolt Carr. Sh 3/8-16 x 1-1/2 Gr. 5 |
| 7 | 532 19 91-02 | Cover Mandrel RH | 97 | 532 17 85-15 | Washer Hardened |
| 8 | 532 19 30-03 | Bolt 7/16 Asm. Blade | 98 | 532 19 61-05 | Spring Drive |
| 11 | 532 18 00-54 | Blade High Lift | 113 | 872 11 05-08 | Bolt Rdhd Sqnk 5/16-18 x 3/4 |
| 12 | 532 40 48-51 | Rod Anti-Sway | 114 | 532 19 74-51 | Rod Tension Relief |
| 13 | 532 18 72-91 | Shaft Asm. w/Lower Bearing | 116 | 532 19 34-06 | Bolt, Shoulder |
| 14 | 532 18 72-81 | Housing, Mandrel | 117 | 532 17 48-73 | Gauge Wheel |
| 15 | 532 11 04-85 | Bearing, Ball, Mandrel | 120 | 819 13 20-12 | Washer 13/32 x 1-1/4 x 12 Ga. |
| 16 | 819 13 13-12 | Washer 13/32 x 13/16 x 12 Ga. | 122 | 532 18 75-57 | Bushing Tension Relief |
| 17 | 872 11 05-05 | Bolt 5/16-18 x 5/8 | 185 | 873 90 07-00 | Nut Lock Flange 7/16-14 Gr. 5 |
| 18 | 872 14 05-05 | Bolt RdHd 5/16-18 unc x 5/8 | 187 | 532 19 51-61 | Stud Fastener w/"D" Anti-Rotation |
| 19 | 532 19 42-08 | Pin Cotter 5/16 Bow Tie Lock | 188 | 873 90 05-00 | Nut Lock Hex Flange |
| 20 | 532 17 43-78 | Baffle Vortex | 189 | 532 19 51-85 | Arm Susp. Mower Rear |
| 21 | 873 68 05-00 | Nut, Crownlock 5/16-18 unc | 190 | 532 19 65-39 | Bolt Shoulder |
| 22 | 532 17 44-93 | Stripper Mandrel | 194 | 874 49 07-36 | Bolt Hex Washer Head 7/16-14 x 2.25 |
| 24 | 532 10 53-04 | Cap Sleeve | 241 | 532 15 29-27 | Screw TT #10-32.5 3/8 Flange |
| 25 | 532 17 81-02 | Spring, Torsion | 242 | 532 41 55-98 | Port, Washout |
| 26 | 532 11 04-52 | Nut, Push | -- | 532 41 64-05 | Coupling Quick Connect |
| 27 | 532 18 17-07 | Deflector Shield | -- | 532 18 72-92 | Mandrel Assembly (Includes hous- ing (Key #14), shaft assembly (Key #13), and bearing only (Key #15) and nut (Key #33) pulley/washer and blade bolt/washers not includ- ed) |
| 29 | 532 13 14-91 | Rod, Hinge | -- | 532 43 18-25 | Replacement Mower, Complete |
| 30 | 532 17 39-84 | Screw, Thdroll Washer Head | | | |
| 31 | 532 18 76-90 | Washer, Spacer Mower Vented | | | |
| 32 | 532 15 35-32 | Pulley, Mandrel | | | |
| 33 | 532 40 02-34 | Nut, Flg. Top Lock | | | |
| 39 | 532 19 73-80 | Pulley, Idler, 4.50 Hub | | | |
| 43 | 532 19 60-65 | Arm, Idler | | | |
| 46 | 532 13 77-29 | Screw, Thdroll. 1/4-20 x 5/8 | | | |
| 47 | 532 19 72-42 | Belt Deck Drive | | | |
| 48 | 532 19 73-79 | Pulley Idler 4.50 RAW | | | |
| 49 | 873 90 06-00 | Nut, Lock Flg. 3/8-16 unc | | | |
| 50 | 817 49 06-36 | Screw TT 3/8-16 x 2-1/4 | | | |

NOTE: All component dimensions given in U.S. inches
1 inch = 25.4 mm

**TRACTOR - MODEL NO. YTH23V48 (96043017500), PRODUCT NO. 960 43 01-75
MOWER LIFT**

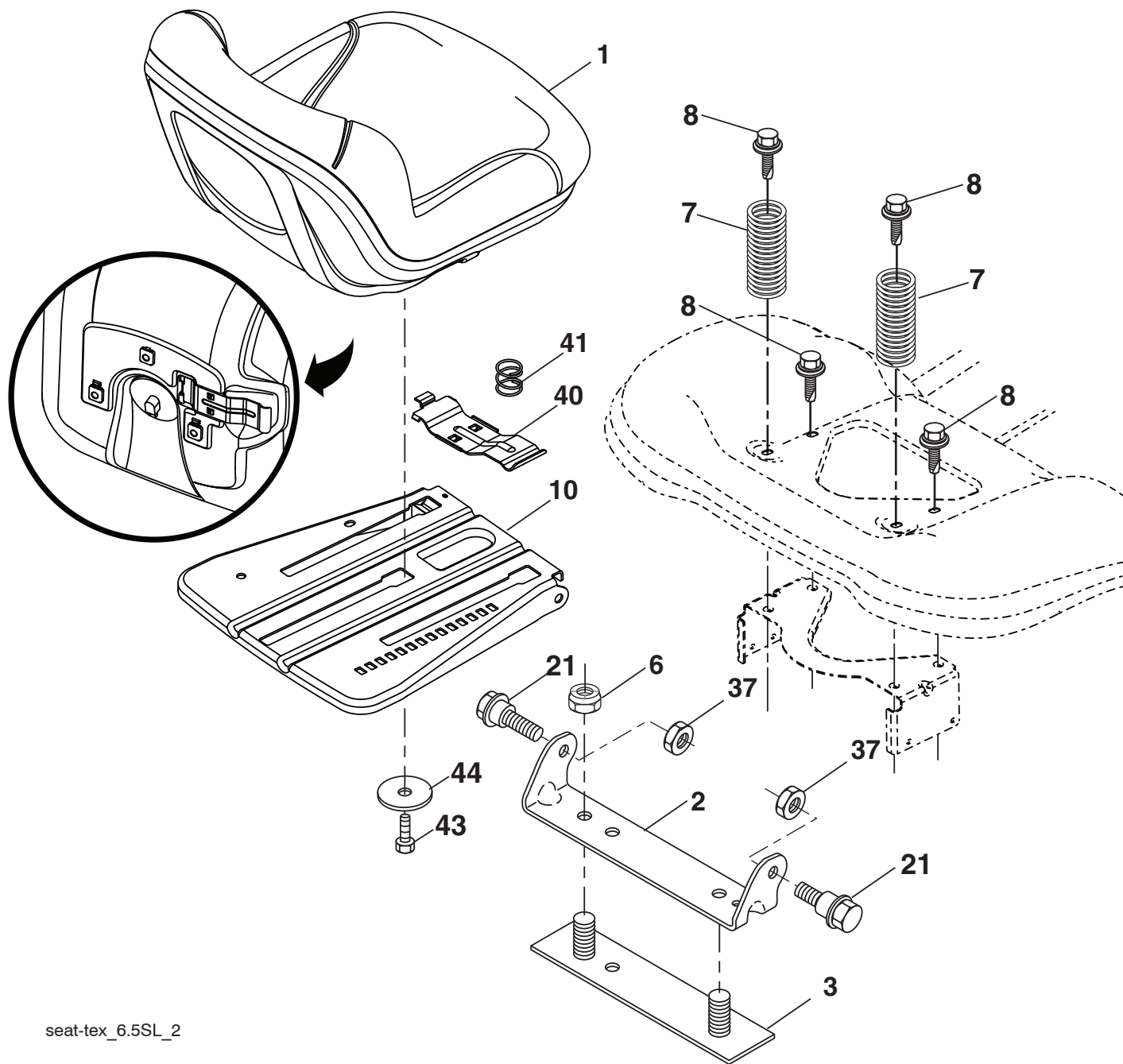


| KEY NO. | PART NO. | DESCRIPTION |
|---------|--------------|------------------------------|
| 2 | 532 42 20-27 | Shaft Asm. Cross, Lift |
| 3 | 532 19 52-31 | Lever Asm., Lift |
| 7 | 580 96 23-01 | Grip, Lever |
| 10 | 532 19 63-14 | Spring Torsion |
| 87 | 532 19 42-09 | Pin Cotter 7/16 Bow Tie Lock |
| 88 | 532 41 07-10 | Spring Lift Assist |
| 89 | 819 19 19-12 | Washer Clear Zinc |

| KEY NO. | PART NO. | DESCRIPTION |
|---------|--------------|------------------------------|
| 90 | 532 19 42-08 | Pin Cotter 5/16 Bow Tie Lock |
| 91 | 532 19 51-81 | Link Lift Susp Mower Rear |
| 97 | 817 00 06-12 | Screw 3/8-16 x .75 |
| 98 | 532 19 52-64 | Link Lift Susp. Front Mower |

NOTE: All component dimensions given in U.S. inches
1 inch = 25.4 mm

**TRACTOR - MODEL NO. YTH23V48 (96043017500), PRODUCT NO. 960 43 01-75
SEAT ASSEMBLY**



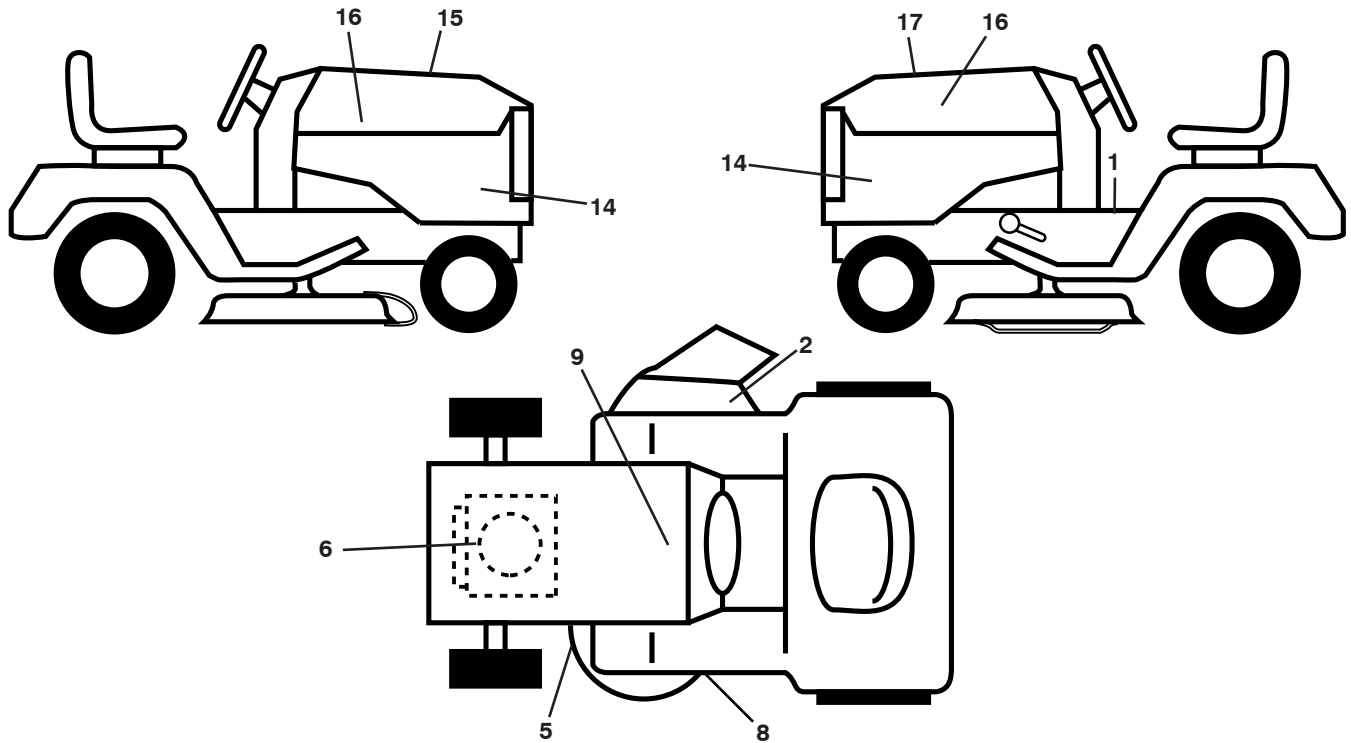
seat-tex_6.5SL_2

| KEY NO. | PART NO. | DESCRIPTION |
|---------|--------------|-------------------------------|
| 1 | 532 43 98-22 | Seat |
| 2 | 532 18 01-66 | Bracket Pivot Fender |
| 3 | 532 14 06-75 | Strap, Asm Fender |
| 6 | 873 80 06-00 | Nut, Lock w/Ins. 3/8-16 unc |
| 7 | 532 12 41-81 | Spring, Seat Cprsn |
| 8 | 532 17 18-77 | Bolt 5/16-18 unc x 3/4 w/Sems |
| 10 | 532 19 69-77 | Pan, Seat |
| 21 | 532 17 18-52 | Bolt, Shoulder 5/16-18 |

| KEY NO. | PART NO. | DESCRIPTION |
|---------|--------------|-------------------------------|
| 37 | 873 80 05-00 | Nut, Lock 5/16-18 unc |
| 40 | 532 19 76-61 | Handle Slide Seat |
| 41 | 532 19 82-00 | Spring Latch Seat |
| 43 | 874 76 06-12 | Bolt 3/8-16 x 3/4 |
| 44 | 819 13 38-12 | Washer 13/32 x 2-3/8 x 12 Ga. |

NOTE: All component dimensions given in U.S. inches
1 inch = 25.4 mm

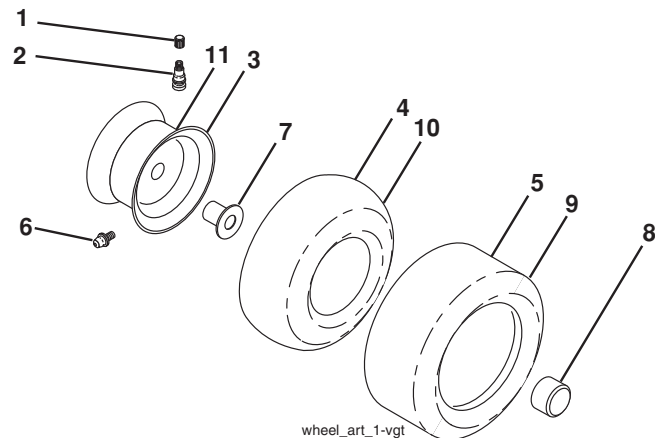
**TRACTOR - MODEL NO. YTH23V48 (96043017500), PRODUCT NO. 960 43 01-75
DECALS**



| KEY NO. | PART NO. | DESCRIPTION |
|---------|--------------|-----------------------------------|
| 1 | 581 57 89-01 | Decal, Warning |
| 2 | 581 57 95-01 | Decal, Mower Warn. Keep Hand Away |
| 5 | 581 72 45-02 | Decal, Caution |
| 6 | 585 55 70-01 | Decal, Eng. |
| 8 | 581 58 00-02 | Decal, Mower Sch. |
| 9 | 532 14 50-05 | Decal, Battery Dnge/Poi |
| 14 | 532 43 86-63 | Decal, Panel Side |
| 15 | 532 42 38-29 | Decal, Cust. Resp. |

| KEY NO. | PART NO. | DESCRIPTION |
|---------|--------------|--|
| 16 | 581 62 73-01 | Decal, Hood Logo |
| 17 | 585 98 94-01 | Decal, Replacement |
| -- | 581 72 48-01 | Decal, Bypass |
| -- | 532 43 96-81 | Pad, Footrest, LH |
| -- | 532 43 96-82 | Pad, Footrest, RH |
| -- | 586 02 27-26 | Manual, Operator's (English/Spanish) |
| -- | 586 02 27-27 | Manual, Repair Parts (English/Spanish) |

WHEELS AND TIRES

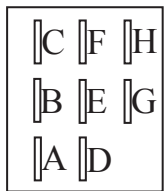
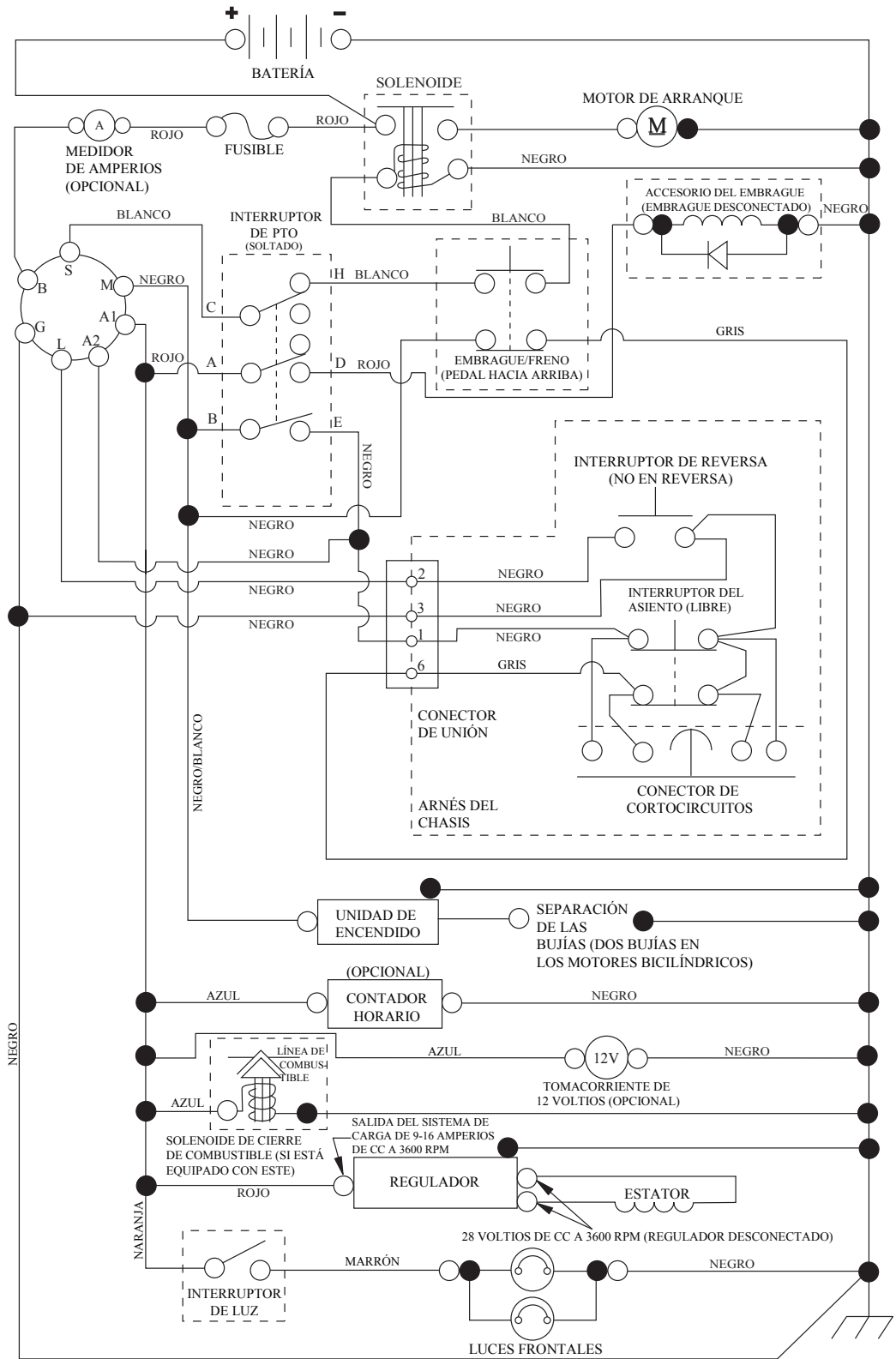


| KEY NO. | PART NO. | DESCRIPTION |
|---------|--------------|------------------------------------|
| 1 | 532 05 91-92 | Cap, Valve, Tire |
| 2 | 532 06 51-39 | Stem, Valve |
| 3 | 532 13 83-36 | Rim Assembly, Front |
| 4 | 532 05 99-04 | Tube, Front (Service Item Only) |
| 5 | 532 10 62-22 | Tire, Front 15 X 6-6 |
| 6 | 532 12 49-57 | Fitting, Grease (Front Wheel Only) |
| 7 | 532 12 49-59 | Bearing, Flange (Front Wheel Only) |
| 8 | 532 17 50-39 | Cap, Axle |
| 9 | 532 13 84-68 | Tire, Rear 20 X 8-8 |
| 10 | 532 12 49-26 | Tube, Rear (Service Item Only) |
| 11 | 532 13 83-37 | Rim Assembly, Rear |
| -- | 532 14 43-34 | Sealant, Tire (10 oz. Tube) |

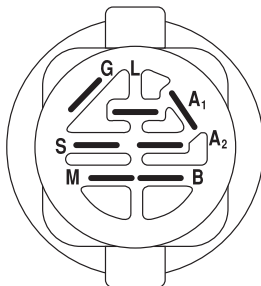
NOTE: All component dimensions given in U.S. inches
1 inch = 25.4 mm

TRACTOR - MODELO NO. YTH23V48 (96043017500), PRODUCT NO. 960 43 01-75 DIAGRAMA

SCH12-s

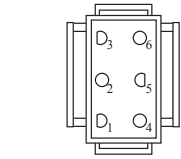


INTERRUPTOR DE PTO (CARA DE ACOPLAMIENTO)

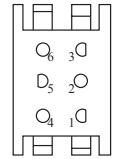


INTERRUPTOR DE ENCENDIDO

| POSICIÓN | CIRCUITO «MARCA» |
|--------------------------------|------------------|
| APAGADO | M+G+A1 |
| PONER EN FUNCIONAMIENTO/ANULAR | B+A1 |
| PONER EN FUNCIONAMIENTO | B+A1 L+A2 |
| ARRANCAR | B + S + A1 |



CONEXIÓN DEL ARNÉS DEL CHASIS (LATERAL QUE COINCIDA)

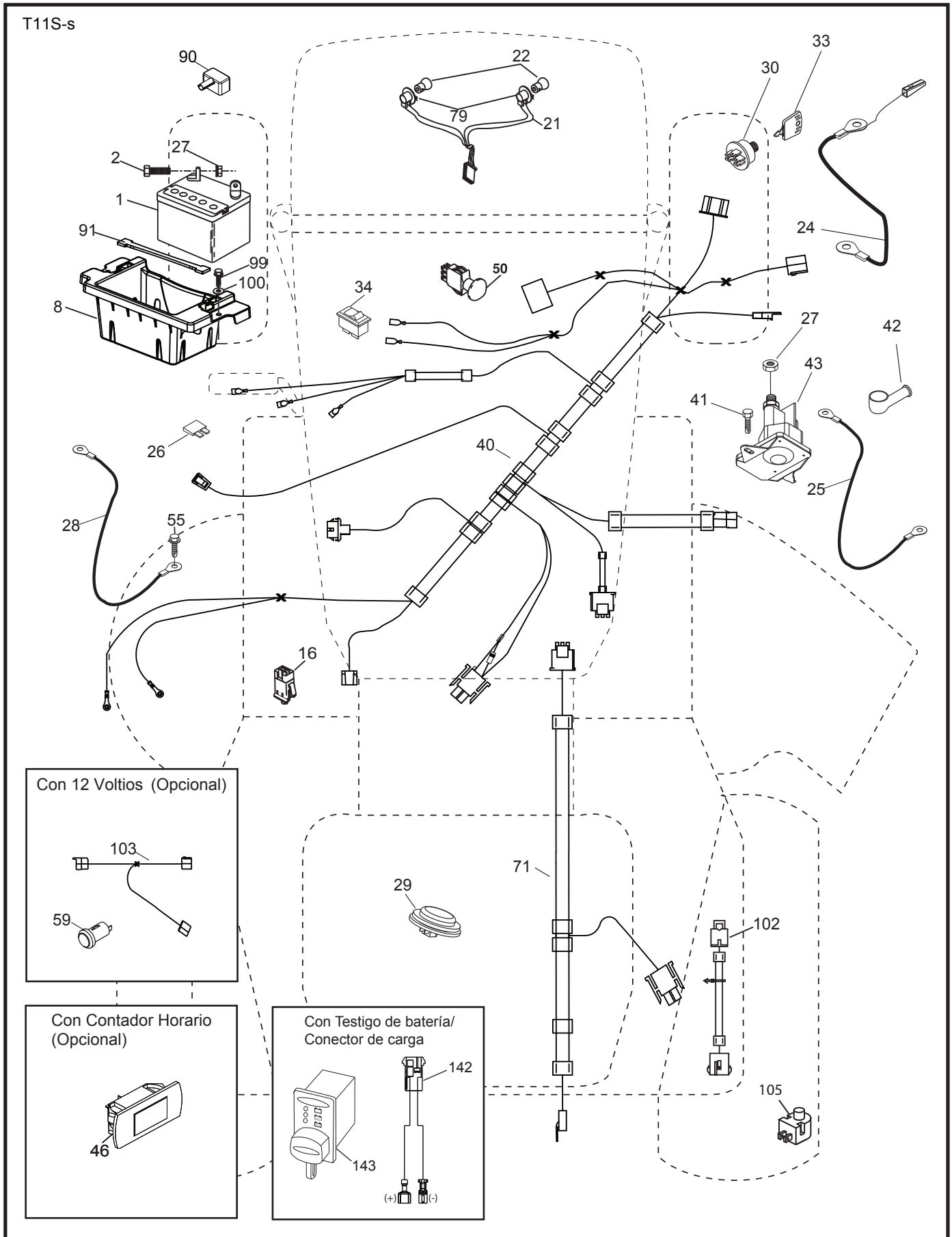


CONEXIÓN PARA EL ARNÉS DEL TABLERO

NOTA SOBRE LAS ABRAZADERAS DE AISLAMIENTO DEL CABLEADO: SI SE QUITAN LAS ABRAZADERAS DE AISLAMIENTO DEL CABLEADO PARA HACER EL MANTENIMIENTO DE LA UNIDAD, SE LAS DEBERÁ INSTALAR NUEVAMENTE PARA PROTEGER EL CABLEADO ADECUADAMENTE.



TRACTOR - MODELO NO. YTH23V48 (96043017500), PRODUCT NO. 960 43 01-75
DIAGRAMA ELÉCTRICO

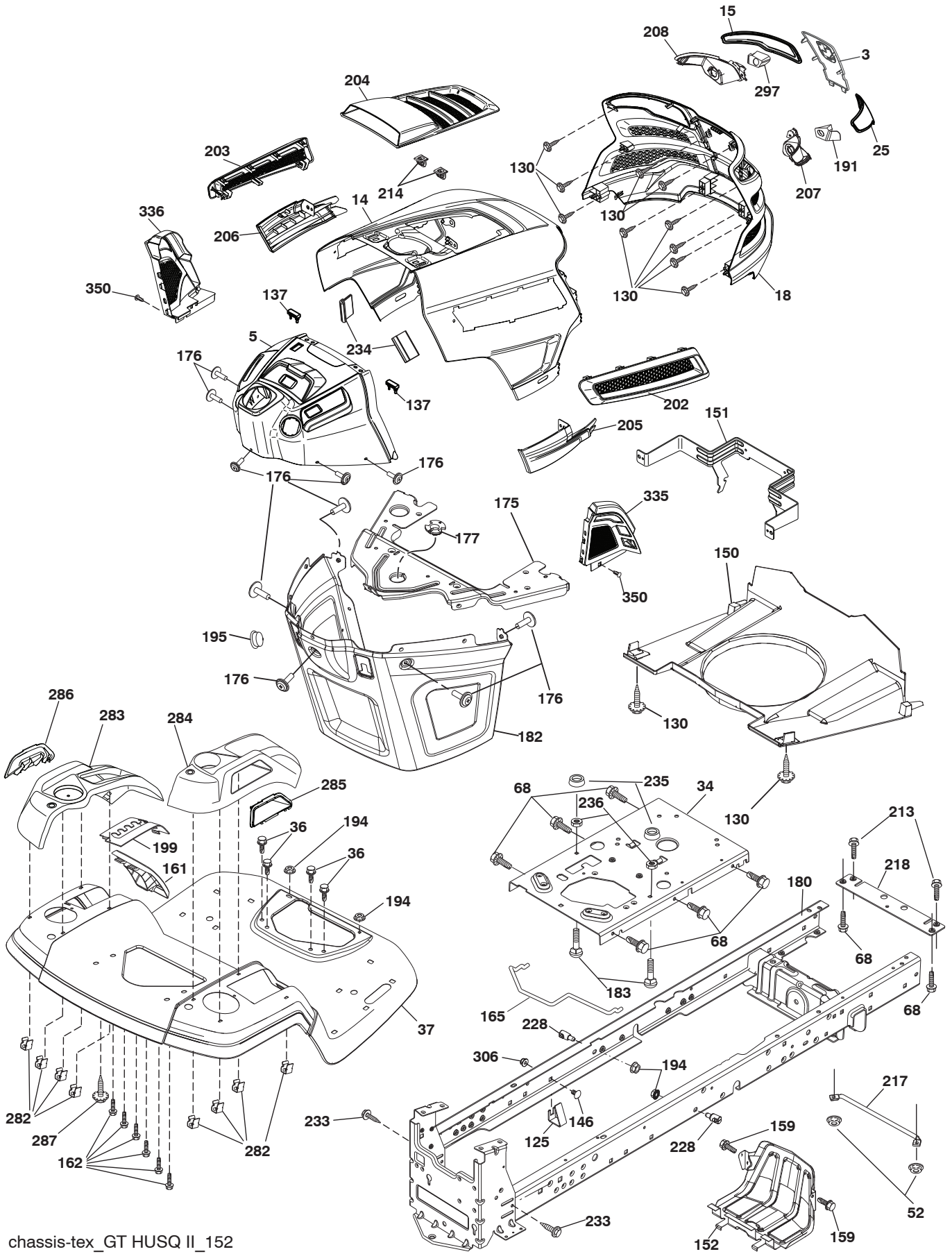


**TRACTOR - MODELO NO. YTH23V48 (96043017500), PRODUCT NO. 960 43 01-75
DIAGRAMA ELÉCTRICO**

| CÓDIGO PIEZA | | DESCRIPCIÓN |
|--------------|--------------|---|
| No. | No. | |
| 1 | 532 16 34-65 | Batería |
| 2 | 874 76 04-12 | Perno de cabeza hexagonal de 1/4-20 x 3/4 |
| 8 | 532 18 64-91 | Caja de la batería |
| 16 | 532 17 61-38 | Interruptor de bolsa llena |
| 21 | 532 40 02-52 | Cableado del enchufe para la luz |
| 22 | 532 00 41-52 | Bombilla de luz #1156 |
| 24 | 532 40 02-53 | Cable |
| 25 | 585 55 55-01 | Cable |
| 26 | 532 17 51-58 | Fusible |
| 27 | 873 51 04-00 | Tuerca hexagonal Keps de 1/4-20 unc |
| 28 | 532 14 54-91 | Cable a tierra 21" negro Calibre 6 |
| 29 | 532 40 15-45 | Interruptor del asiento |
| 30 | 532 19 33-50 | Interruptor de encendido |
| 33 | 532 41 19-33 | Llave/cadena |
| 34 | 532 11 07-12 | Interruptor de luz/de restauración |
| 40 | 532 40 11-04 | Cableado del tablero de encendido |
| 41 | 817 72 04-08 | Tornillo |
| 42 | 532 13 15-63 | Cubierta de la terminal, rojo |
| 43 | 532 19 25-07 | Solenoides |
| 46 | 532 40 17-63 | Indicador SRVCMNDR HRMTR |
| 50 | 532 17 46-51 | Interruptor PTO |
| 55 | 817 06 05-12 | Tornillo 5/16-18 x 3/4 |
| 71 | 532 19 42-76 | Cableado del tablero chasis |
| 79 | 532 17 52-42 | Enchufe de cierre por torsión del ensamble de la bombilla |
| 90 | 532 43 53-95 | Tapa de los bornes de la batería |
| 91 | 532 19 02-70 | Correa de batería |
| 99 | 817 67 04-12 | Tornillo 1/4-20 x 3/4 |
| 100 | 819 09 14-16 | Arandela 9/32 x 7/8 x Calibre 16 |
| 102 | 532 40 44-54 | Cableado |
| 105 | 532 40 75-68 | Interruptor para retroceder TT control del pedal |

NOTA: Las dimensiones de todos los componentes están expresadas en pulgadas americanas. 1 pulgada = 25,4 mm

TRACTOR - MODELO NO. YTH23V48 (96043017500), PRODUCT NO. 960 43 01-75
CHASIS



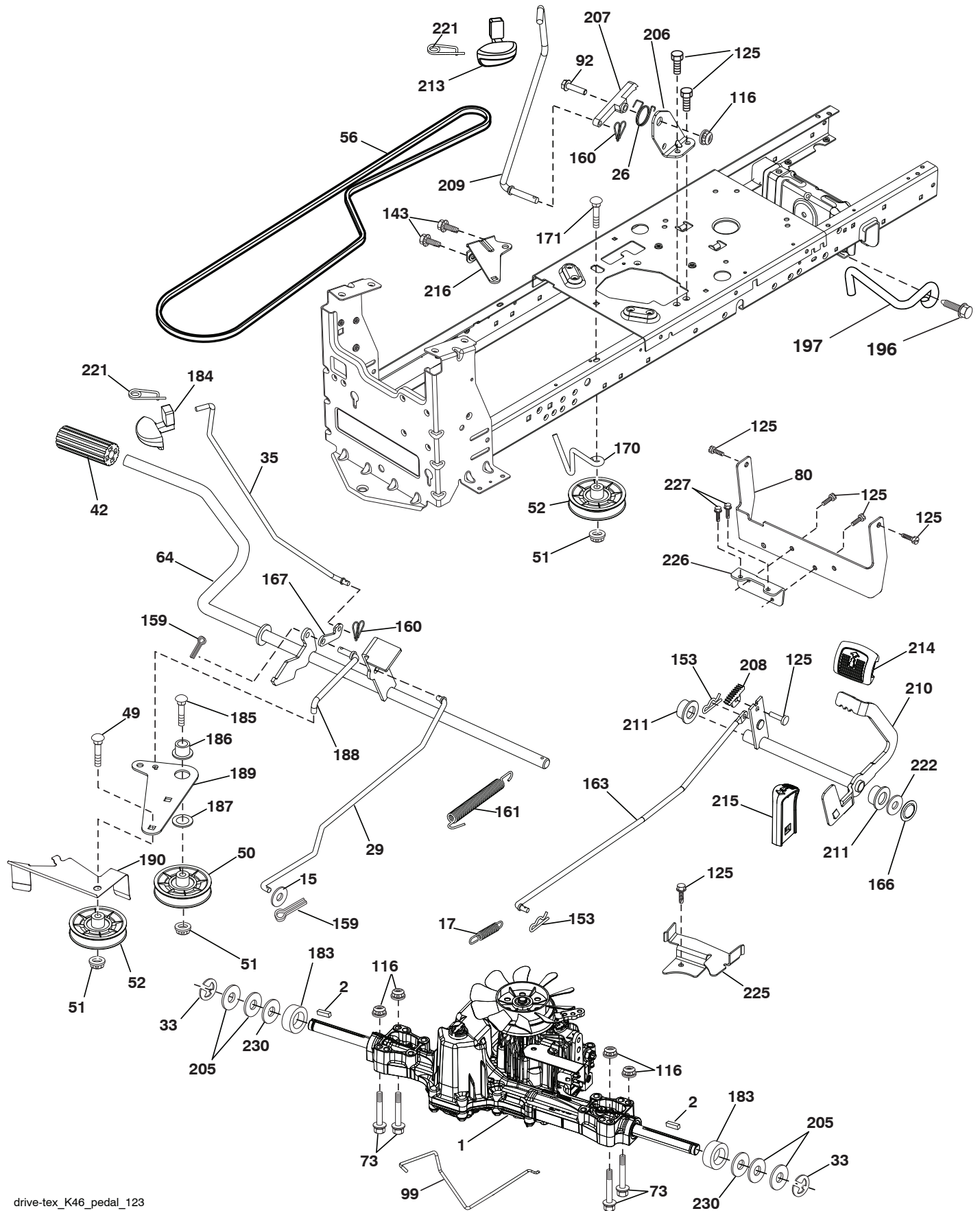
chassis-tex_GT HUSQ II_152

TRACTOR - MODELO NO. YTH23V48 (96043017500), PRODUCT NO. 960 43 01-75 CHASIS

| CÓDIGO PIEZA | | | CÓDIGO PIEZA | | |
|--------------|--------------|---------------------------------|--------------|--------------|--|
| No. | No. | DESCRIPCIÓN | No. | No. | DESCRIPCIÓN |
| 3 | 532 44 44-81 | Logo | 202 | 532 43 97-28 | Salida de Ventilación (LD) |
| 5 | 532 43 74-83 | Tablero | 203 | 532 43 97-27 | Salida de Ventilación (LI) |
| 14 | 532 44 11-77 | Capota | 204 | 532 43 57-14 | Salida de Ventilación superior |
| 15 | 532 43 97-33 | Lente izquierdo de la parrilla | 205 | 532 43 97-30 | Capucha Recortar (LD) |
| 18 | 532 44 06-53 | Parrilla | 206 | 532 43 97-29 | Capucha Recortar (LI) |
| 25 | 532 44 33-85 | Lente derecho de la parrilla | 207 | 532 43 97-34 | Bisel derecho |
| 34 | 580 91 08-01 | Chapa Motor | 208 | 532 43 97-35 | Bisel izquierdo |
| 36 | 817 06 05-12 | Tornillo de 5/16-18 x 3/4 | 213 | 874 76 05-12 | Perno 5/16-18 unc x 3/4 |
| 37 | 532 44 11-78 | Guardabarros | 214 | 532 19 91-45 | Cierre |
| 52 | 873 68 05-00 | Tuerca de presión 5/16-18 | 217 | 532 40 91-67 | Varilla giratoria |
| 68 | 817 49 05-08 | Tornillo de 5/16-18 x 1/2 | 218 | 532 19 63-95 | Tope |
| 125 | 581 68 48-01 | Soporte | 228 | 532 19 51-61 | Sujetador del travesaño |
| 130 | 532 41 63-58 | Tornillo No. 10 x 0,75 | 233 | 532 19 65-39 | Tornillo |
| 137 | 532 40 75-90 | Cubierta Tablero | 234 | 532 40 47-42 | Tope de la capilla |
| 146 | 581 85 79-01 | Perno | 235 | 532 40 61-29 | Separador del guardabarros |
| 150 | 532 43 97-74 | Cubierta térmica del conducto | 236 | 873 93 05-00 | Tuerca de presión 5/16-18 unc |
| 151 | 532 43 66-70 | Soporte Pivotante | 282 | 532 41 41-10 | Abrazadera de retención |
| 152 | 532 43 60-86 | Protector contra oscurecimiento | 283 | 532 43 98-61 | Ensamble de la consola de la plataforma de elevación |
| 159 | 817 00 06-12 | Tornillo 3/8-16 x 3/4 | 284 | 532 43 98-23 | Consola |
| 161 | 532 43 97-81 | Ventana de combustible | 285 | 532 41 63-15 | Inserto del Consola (LD) |
| 162 | 532 14 24-32 | Tornillo | 286 | 532 41 63-17 | Inserto del Consola (LI) |
| 165 | 532 19 68-26 | Tanque de combustible, trasero | 287 | 817 60 04-06 | Tornillo 1/4 - 20 x 3/8 |
| 175 | 532 19 63-04 | Travesaño | 297 | 532 43 74-56 | Parrilla inferior (LI) |
| 176 | 532 40 07-76 | Tornillo 10-24 x 5/8 | 306 | 873 90 06-00 | Tuerca |
| 177 | 532 19 52-27 | Buje de dirección | 335 | 532 44 82-04 | Cubierta LD |
| 180 | 532 19 54-57 | Chasis | 336 | 532 44 53-09 | Cubierta LI |
| 182 | 532 40 68-59 | Tablero inferior | 350 | 532 44 51-43 | Cierre del árbol de navidad |
| 183 | 874 52 05-20 | Perno 5/16-18 x 1-1/4 | | | |
| 191 | 532 43 74-55 | Parrilla inferior (LD) | | | |
| 194 | 873 90 05-00 | Tuerca de presión de 5/16-18 | | | |
| 195 | 532 40 41-37 | Tapón | | | |
| 199 | 532 41 34-85 | Chapa | | | |

NOTA: Las dimensiones de todos los componentes están expresadas en pulgadas americanas. 1 pulgada = 25,4 mm

TRACTOR - MODELO NO. YTH23V48 (96043017500), PRODUCT NO. 960 43 01-75
TRANSMISIÓN



drive-tex_K46_pedal_123

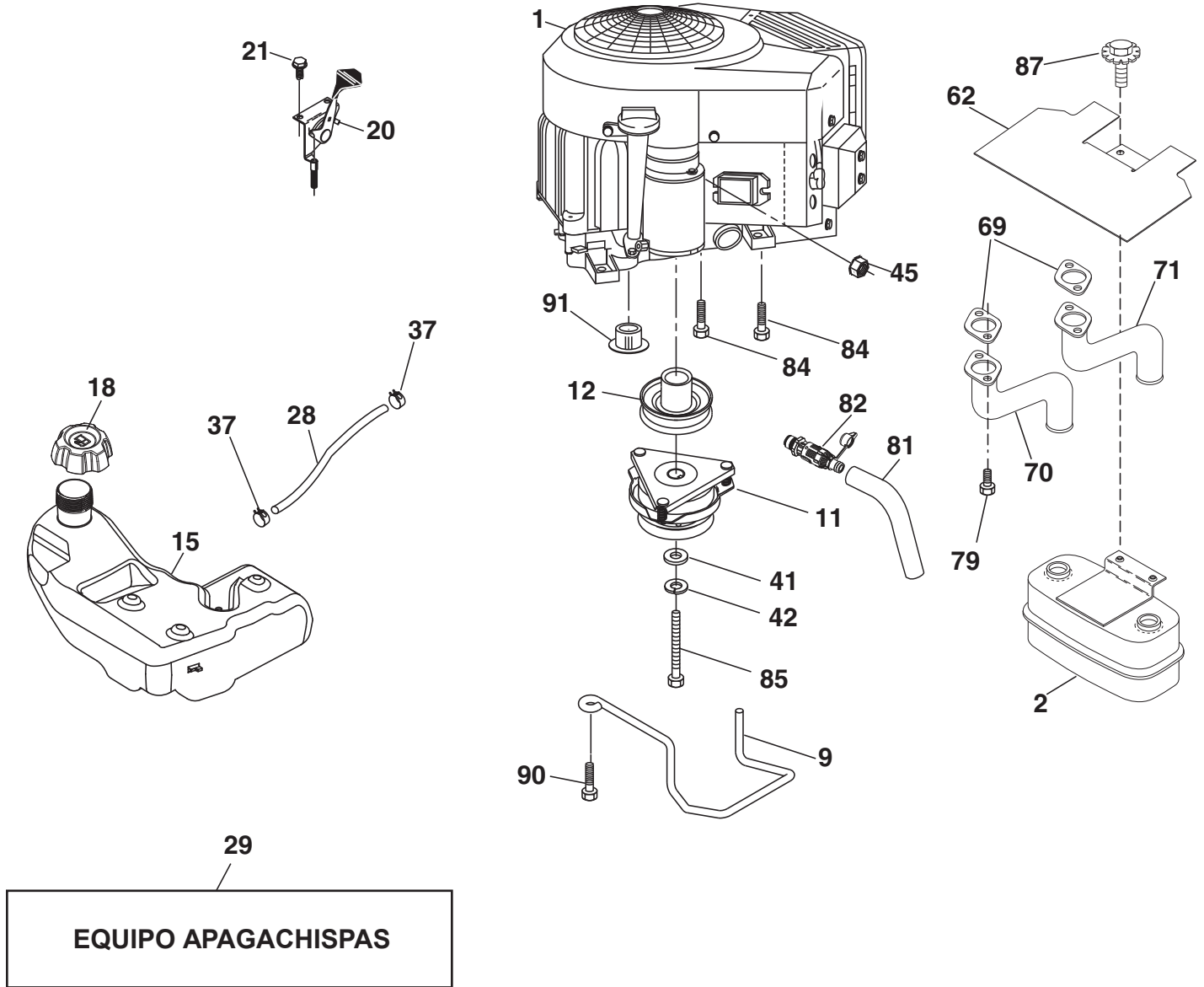
TRACTOR - MODELO NO. YTH23V48 (96043017500), PRODUCT NO. 960 43 01-75

TRANSMISIÓN

| CÓDIGO No. | PIEZA No. | DESCRIPCIÓN | CÓDIGO No. | PIEZA No. | DESCRIPCIÓN |
|------------|--------------|---|------------|--------------|---|
| 1 | --- | Transeje, TUFFTORQ K46 BT (426120) (Haga el pedido de las piezas al fabricante del transeje.) | 183 | 532 13 70-57 | Espaciador |
| 2 | 532 12 35-83 | Cuña | 184 | 532 44 14-55 | Manija del freno de mano |
| 15 | 819 13 13-16 | Arandela de 13/32 x 13/16 x calibre 16 | 185 | 872 11 06-22 | Perno 3/8-16 x 2-3/4 Gr. 5 |
| 17 | 532 41 36-78 | Resorte de freno | 186 | 532 19 43-21 | Espaciador |
| 26 | 532 19 96-79 | Crucero con retorno de muelle | 187 | 819 13 32-10 | Arandela |
| 29 | 532 40 38-06 | Varilla del freno | 188 | 532 19 43-23 | Mecanismo de desplazamiento de la varilla de mando del embrague |
| 33 | 812 00 00-01 | Aro E | 189 | 532 19 43-17 | Palanca acodada del mecanismo de desplazamiento |
| 35 | 583 86 45-01 | Varilla del freno de mano | 190 | 532 19 43-18 | Sujetador de la palanca acodada del mecanismo de desplazamiento |
| 42 | 532 12 48-72 | Cubierta del pedal | 196 | 817 00 06-16 | Tornillo 3/8-16 x 1 |
| 49 | 872 11 06-14 | Perno | 197 | 532 19 58-04 | Soporte |
| 50 | 532 19 43-27 | Polea loca plana | 205 | 532 12 17-48 | Arandela |
| 51 | 873 90 06-00 | Tuerca de presión de 3/8-16 | 206 | 532 44 85-96 | Soporte de ensamble del blqueo del crucero |
| 52 | 532 19 43-26 | Polea loca con ranura en V con un desplazamiento | 207 | 532 19 78-68 | Bloqueo del control del crucero |
| 56 | 532 13 09-69 | Correa trapezoidal de la transmisión | 208 | 532 19 78-69 | Engranaje del sector de control del crucero |
| 64 | 532 19 78-65 | Ensamble del eje Control del pedal de freno | 209 | 532 19 95-92 | Varilla de control del crucero |
| 73 | 874 49 05-40 | Perno de 5/16-18 grado 5 | 210 | 532 40 09-80 | Ensamble del balancín del control del pedal |
| 80 | 532 44 06-19 | Correa de torsión | 211 | 532 12 01-83 | Rodamiento de nylon |
| 92 | 874 76 05-20 | Perno 5/16-18 unc x 1.25 | 213 | 532 40 31-19 | Perilla de control del crucero |
| 99 | 532 41 57-42 | Varilla | 214 | 532 42 12-63 | Forro del pedal para avanzar |
| 116 | 873 90 05-00 | Tuerca de presión hexagonal con brida de 5/16-18 | 215 | 532 40 17-23 | Forro del pedal para retroceder |
| 125 | 817 00 05-12 | Tornillo 5/16-18 x 3/4 | 216 | 532 19 61-31 | Soporte del Polea |
| 143 | 817 49 05-08 | Tornillo 5/16-18 x 1/2 | 221 | 532 40 31-87 | Abrazadera de retención del resorte de la manija |
| 153 | 532 12 47-88 | Retén del resorte | 222 | 879 21 20-10 | Arandela 21/32 x 1-1/4 x Calibre 10 |
| 159 | 876 02 04-12 | Pasador de chaveta de 1/8 x 3/4 | 225 | 532 40 33-19 | Sujetador de la correa |
| 160 | 532 16 94-84 | Abrazadera de retención | 226 | 532 40 15-64 | Soporte de montaje del torsión |
| 161 | 532 10 57-09 | Resorte de retorno del embrague | 227 | 817 49 05-12 | Tornillo Thd. 5/16 5/16-18 x 3/4 |
| 163 | 532 44 82-75 | Varilla de control del pedal | 230 | 532 18 89-67 | Arandela |
| 166 | 532 42 91-64 | Tuerca de presión | | | |
| 167 | 532 40 52-57 | Pestillo del freno de mano | | | |
| 170 | 532 19 43-22 | Sujetador | | | |
| 171 | 872 11 06-16 | Perno 3/8-16 unc x 2 | | | |

NOTA: Las dimensiones de todos los componentes están expresadas en pulgadas americanas. 1 pulgada = 25,4 mm

**TRACTOR - MODELO NO. YTH23V48 (96043017500), PRODUCT NO. 960 43 01-75
MOTOR**



engine-tex_bs-2cyl_47_r1

TRACTOR - MODELO NO. YTH23V48 (96043017500), PRODUCT NO. 960 43 01-75 MOTOR

| CÓDIGO No. | PIEZA No. | DESCRIPCIÓN |
|---------------|--------------|---|
| 1 | ----- | Motor Briggs modelo No. 44R777-0001-G1 (585989101) (Haga el pedido de las piezas al fabricante del motor.) |
| 2 | 532 44 59-62 | Silenciador |
| 9 | 584 90 80-01 | Ensamble del sujetador de la correa del motor |
| 11 | 532 40 00-08 | Embrague eléctrico |
| 12 | 532 40 50-97 | Polea del motor |
| 15 | 532 43 80-80 | Tanque de combustible |
| 18 | 532 43 92-08 | Ensamble de la tapa |
| 20 | 532 42 35-02 | Control de aceleración/estrangulación |
| 21 | 532 41 63-58 | Tornillo #10 x 0.750 |
| 28 | 532 40 11-35 | Línea de combustible |
| 29 | 532 13 71-80 | Equipo apagachispas |
| 37 | 532 12 34-87 | Abrazadera de la manguera |
| 41 | 532 12 61-97 | Arandela 1-1/2 OD x 15/32 ID x .250 |
| 42 | 810 04 07-00 | Arandela 7/16 |
| 45 | 873 51 04-00 | Tuerca 1/4-20 unc |
| 62 | 532 43 40-17 | Silenciador con pantalla térmica |
| 69 | 532 16 53-91 | Junta |
| 70 | 581 88 11-01 | Tubo de escape (LI) |
| 71 | 581 88 10-01 | Tubo de escape (LD) |
| 79 | 532 18 39-06 | Tornillo 5/16-18 x 1 |
| 81 | 532 14 84-56 | Tubo de fácil drenaje de aceite |
| 82 | 532 42 82-87 | Aceite drenaje válvula |
| 84 | 817 06 06-20 | Tornillo 3/8-16 x 1-1/4 |
| 85 | 532 17 39-37 | Perno 7/16-20 x 4 Gr. 5 |
| 87 | 532 17 18-77 | Perno 5/16-18 unc x 1 |
| 90 | 817 00 06-16 | Tornillo 3/8-16 x 1 |
| 91 | 532 18 74-95 | Buje |

NOTA: Las dimensiones de todos los componentes están expresadas en pulgadas americanas. 1 pulgada = 25,4 mm

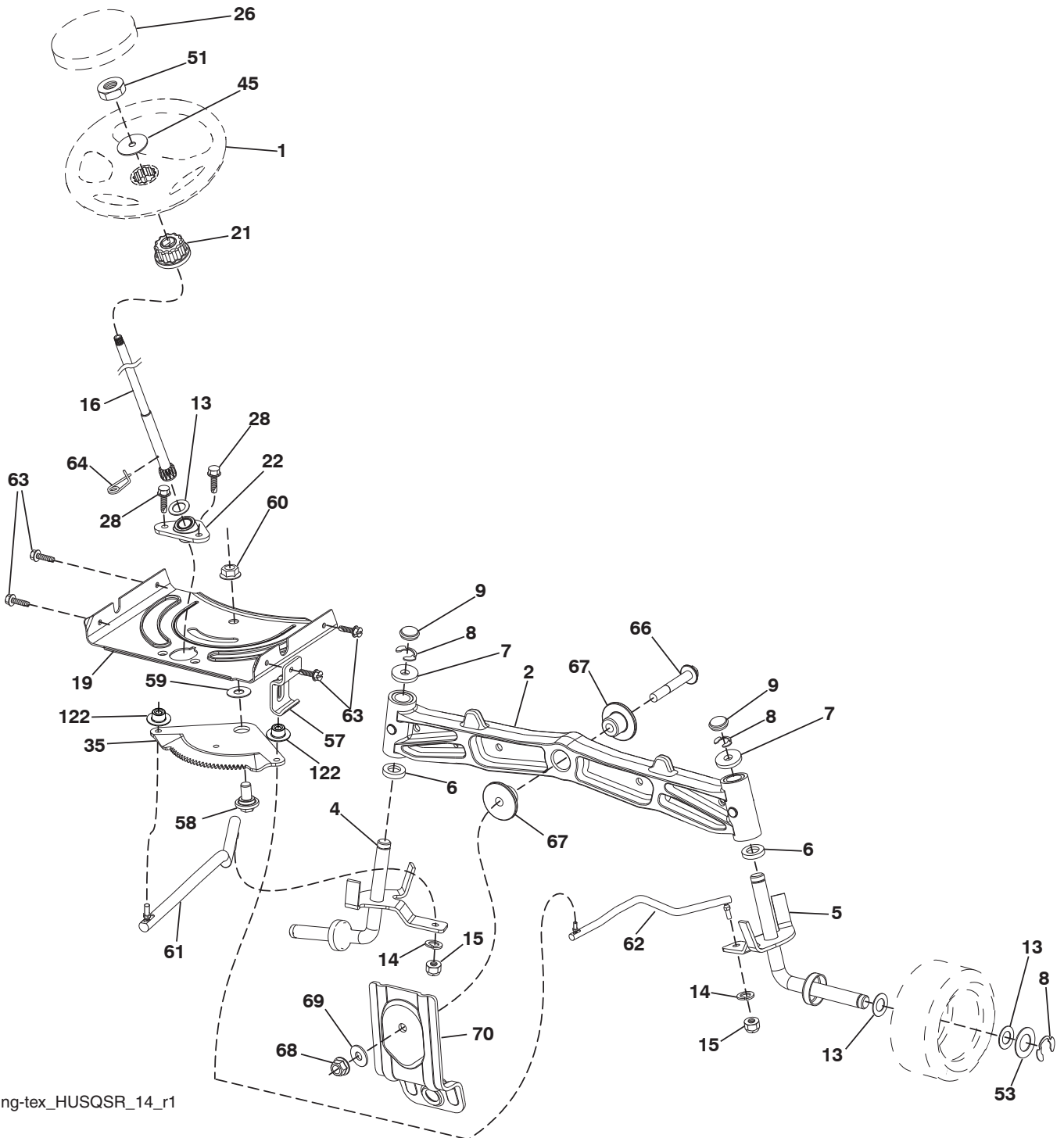
Para las piezas del servicio y de recambio del motor, llame el número gratis para su fabricante del motor enumerado abajo:

Briggs & Stratton 1-800-233-3723

Información de Clasificación de Potencia del Motor

La clasificación de potencia para un modelo de motor a gas en particular se designa de acuerdo al código J1940 de SAE (Sociedad de Ingenieros Automotrices) (Procedimiento de Clasificación de Potencia & Torque del Motor Pequeño), y la clasificación de desempeño ha sido obtenida y corregida de acuerdo con el código J1995 de SAE (Revisión 2002-05). Los valores de torque se obtienen a 3060 RPM; los valores de potencia se obtienen a 3600 RPM. La potencia bruta actual del motor será inferior y está afectada, entre otras cosas, por las condiciones ambientales operativas y la variabilidad de motor a motor. Dado ambos un amplio conjunto de productos en los cuales son puestos nuestros motores, y la variedad de emisiones ambientales aplicables al operar el equipo, el motor a gas no desarrollará la potencia nominal cuando sea usado en una parte del equipo acoplado (potencia real "en el-sitio" o potencia neta). Esta diferencia se debe a una variedad de factores que incluyen, pero que no están limitados a, accesorios (filtro de aire, sistema de escape, sistema de carga, sistema de enfriamiento, carburador, bomba de combustible, etc.) limitaciones de la aplicación, condiciones ambientales de operación (temperatura, humedad, altitud), y la variabilidad de motor a motor. Debido a las limitaciones, Briggs & Stratton puede sustituir este motor con clasificación de potencia más alta por esta serie de motor.

TRACTOR - MODELO NO. YTH23V48 (96043017500), PRODUCT NO. 960 43 01-75
ENSAMBLE DE LA DIRECCIÓN



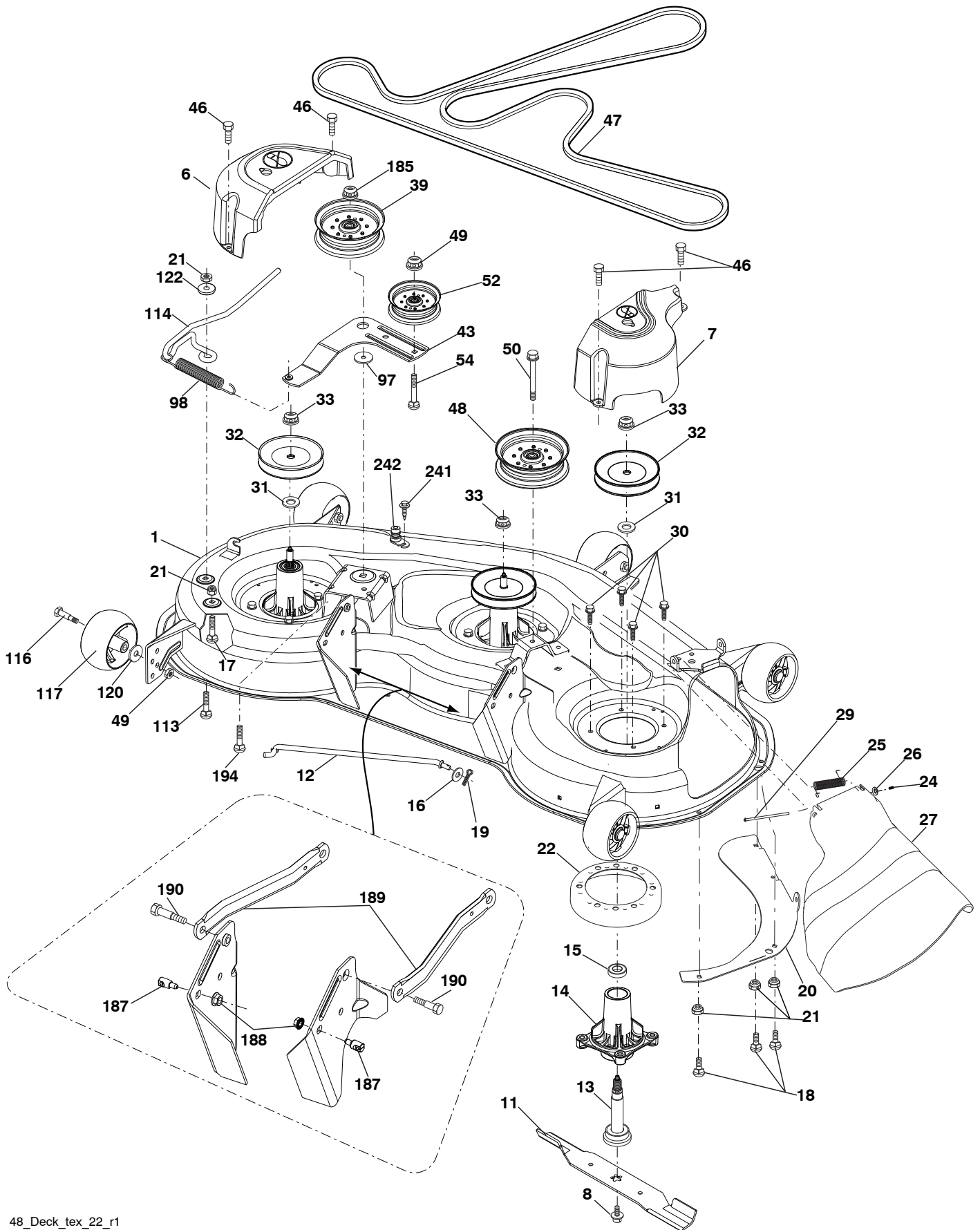
steering-tex_HUSQSR_14_r1

**TRACTOR - MODELO NO. YTH23V48 (96043017500), PRODUCT NO. 960 43 01-75
ENSAMBLE DE LA DIRECCIÓN**

| CÓDIGO No. | PIEZA No. | DESCRIPCIÓN |
|-----------------------|----------------------|---|
| 1 | 532 43 97-40 | Volante de dirección |
| 2 | 532 19 59-68 | Eje delantero |
| 4 | 532 40 30-87 | Ensamble del husillo izquierdo |
| 5 | 532 40 30-88 | Ensamble del husillo derecho |
| 6 | 532 12 49-31 | Pista del rodamiento para reforzar el impulso |
| 7 | 532 12 17-48 | Arandela 25/32 x 1-5/8 x Calibre 16 |
| 8 | 812 00 00-29 | Abrazadera del aro No. T5304-75 |
| 9 | 532 12 12-32 | Tapa del husillo |
| 13 | 532 12 17-49 | Arandela 25/32 x 1-1/4 x Calibre 16 |
| 14 | 810 04 06-00 | Arandela 3/8 |
| 15 | 873 54 06-00 | Tuerca corona de presión de 3/8-24 unf |
| 16 | 532 40 82-19 | Eje de dirección |
| 19 | 532 19 47-29 | Placa de dirección |
| 21 | 532 18 67-37 | Adaptador del volante de dirección |
| 22 | 532 42 05-37 | Dirección de soporte |
| 26 | 532 43 97-43 | Inserto del volante de dirección |
| 28 | 817 00 06-12 | Tornillo 3/8-16 x 3/4 |
| 35 | 532 19 47-32 | Engranaje del sector de la placa |
| 45 | 819 18 38-12 | Arandela 9/16 x 2-3/8 x Calibre 12 |
| 51 | 873 94 08-00 | Tuerca de presión de 1/2-20 unf |
| 53 | 532 18 89-67 | Arandela .793 x 1.637 x .060 |
| 57 | 532 19 72-46 | Tope superior del soporte |
| 58 | 532 19 47-47 | Perno de tope del sector del pivote CFM |
| 59 | 532 19 47-48 | Arandela de empuje del sector de dirección |
| 60 | 873 97 10-00 | Tuerca de presión con brida de 5/8-11 |
| 61 | 532 19 47-40 | Barra de acoplamiento izquierda |
| 62 | 532 19 47-41 | Barra de acoplamiento derecha |
| 63 | 817 00 05-12 | Tornillo 5/16-18 x 3/4 |
| 64 | 532 19 98-49 | Abrazadera de retención del resorte de la dirección |
| 66 | 871 02 07-48 | Perno de cabeza 7/16-14 x 3 |
| 67 | 532 19 47-37 | Buje PM del eje delantero |
| 68 | 873 90 07-00 | Tuerca de presión con brida de 7/16-14 grado 5 |
| 69 | 532 19 91-62 | Arandela 1.5 x .505 x .118 |
| 70 | 532 19 61-97 | Soporte de la plataforma delantera |
| 122 | 532 44 49-62 | Tapa |

NOTA: Las dimensiones de todos los componentes están expresadas en pulgadas americanas. 1 pulgada = 25,4 mm

TRACTOR - MODELO NO. YTH23V48 (96043017500), PRODUCT NO. 960 43 01-75
PLATAFORMA DE LA CORTADORA DE CÉSPED

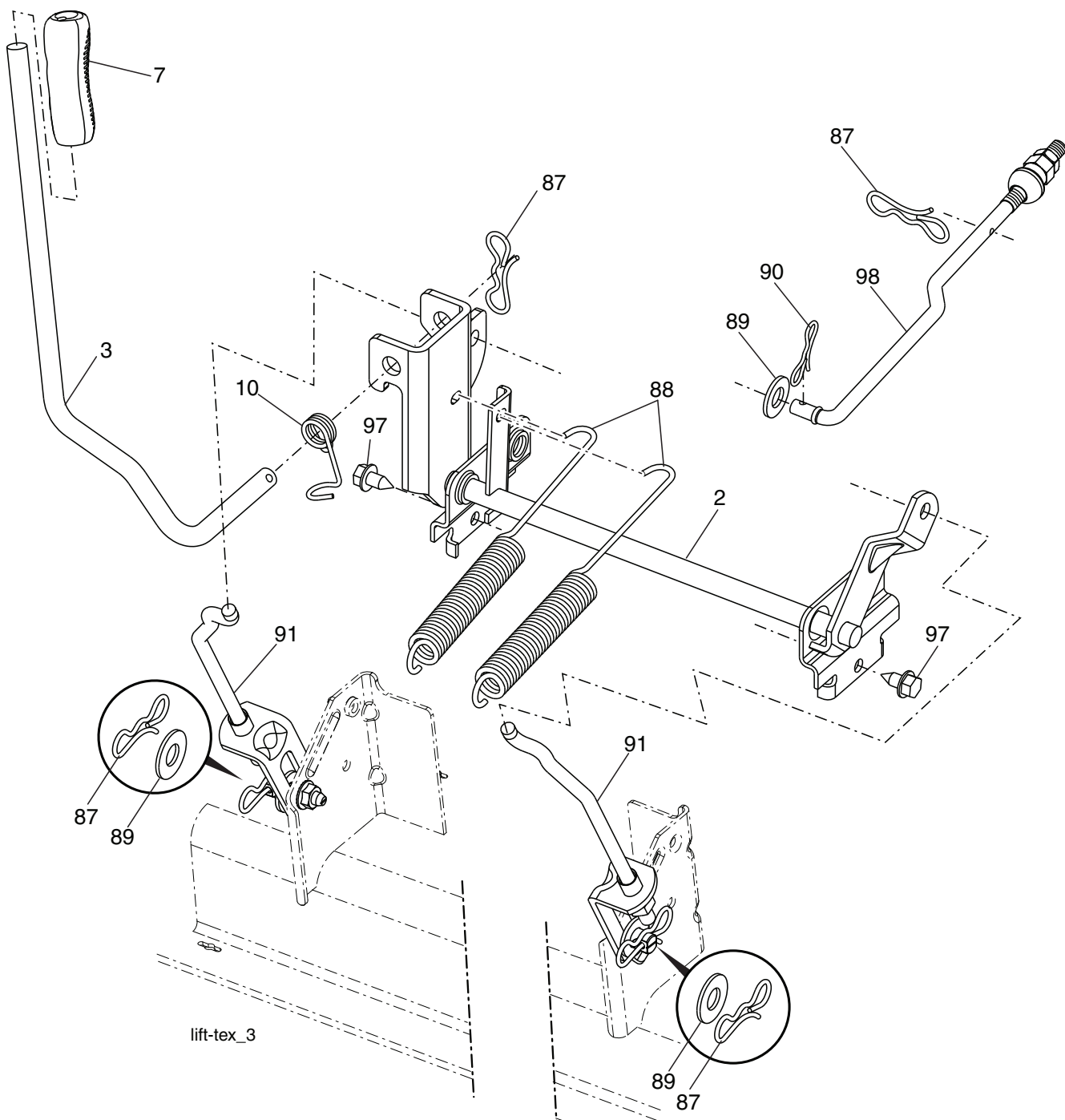


**TRACTOR - MODELO NO. YTH23V48 (96043017500), PRODUCT NO. 960 43 01-75
PLATAFORMA DE LA CORTADORA DE CÉSPED**

| CÓDIGO No. | PIEZA No. | DESCRIPCIÓN | CÓDIGO No. | PIEZA No. | DESCRIPCIÓN |
|-------------------|------------------|---|-------------------|------------------|--|
| 1 | 532 44 00-48 | Carcasa de la cortadora de césped | 54 | 872 11 06-12 | Perno 3/8-16 x 1-1/2 Gr. 5 |
| 6 | 532 19 72-48 | Cubierta izquierda del mandril | 97 | 532 17 85-15 | Arandela |
| 7 | 532 19 91-02 | Cubierta derecha del mandril | 98 | 532 19 61-05 | Accionamiento por resortes |
| 8 | 532 19 30-03 | Perno de cuchilla 7/16 | 113 | 872 11 05-08 | Perno 5/16-18 x 3/4 |
| 11 | 532 18 00-54 | Cuchilla de la cortadora | 114 | 532 19 74-51 | Varilla |
| 12 | 532 40 48-51 | Varilla | 116 | 532 19 34-06 | Perno de tope |
| 13 | 532 18 72-91 | Ensamble del eje con rodamiento inferior | 117 | 532 17 48-73 | Calibrador de la rueda |
| 14 | 532 18 72-81 | Carcasa del mandril | 120 | 819 13 20-12 | Arandela 13/32 x 1-1/4 x Calibre 12 |
| 15 | 532 11 04-85 | Rodamiento de bolas del mandril | 122 | 532 18 75-57 | Buje |
| 16 | 819 13 13-12 | Arandela 13/32 x 13/16 x Calibre 12 | 185 | 873 90 07-00 | Tuerca de presión con brida 7/16-14 Gr. 5 |
| 17 | 872 11 05-05 | Perno 5/16-18 x 5/8 | 187 | 532 19 51-61 | Sujetador del travesaño |
| 18 | 872 14 05-05 | Perno 5/16-18 unc x 5/8 | 188 | 873 90 05-00 | Tuerca de presión hexagonal con brida |
| 19 | 532 19 42-08 | Pasador de chaveta de 5/16 con bloqueo en forma de mariposa | 189 | 532 19 51-85 | Brazo de la suspensión trasera |
| 20 | 532 17 43-78 | Torbellino de deflector | 190 | 532 19 65-39 | Perno de tope |
| 21 | 873 68 05-00 | Tuerca 5/16-18 unc | 194 | 874 49 07-36 | Perno Arandela 7/16-14 x 2.25 |
| 22 | 532 17 44-93 | Separador de mandril | 241 | 532 15 29-27 | Tornillo TT #10-32.5 3/8 |
| 24 | 532 10 53-04 | Tapa de la manga | 242 | 532 41 55-98 | Puerto de Lavado de la Cubierta Rápido Conexión |
| 25 | 532 17 81-02 | Resorte de torsión | -- | 532 41 64-05 | Ensamble del Mandril (solo incluye la carcasa (Código#14), el ensamble del eje (Código #13) y el rodamiento (Código #15), Y tuerca (Código #33); no incluye la, polea/arandela ni los pernos/arandela las de la cuchilla)pernos/arandela las de la cuchilla) |
| 26 | 532 11 04-52 | Tuerca | -- | 532 18 72-92 | Reemplazo de la cortadora de césped, completa |
| 27 | 532 18 17-07 | Protector del deflector | | | |
| 29 | 532 13 14-91 | Varilla de la bisagra | | | |
| 30 | 532 17 39-84 | Tornillo con cabeza de arandela | | | |
| 31 | 532 18 76-90 | Arandela del separador | | | |
| 32 | 532 15 35-32 | Polea del mandril | | | |
| 33 | 532 40 02-34 | Tuerca de presión con brida | | | |
| 39 | 532 19 73-80 | Polea loca 4.50 | | | |
| 43 | 532 19 60-65 | Brazo de la polea | -- | 532 43 18-25 | |
| 46 | 532 13 77-29 | Tornillo 1/4-20 x 5/8 | | | |
| 47 | 532 19 72-42 | Correa de la transmisión | | | |
| 48 | 532 19 73-79 | Polea loca 4.50 RAW | | | |
| 49 | 873 90 06-00 | Tuerca de presión con brida 3/8-16 unc | | | |
| 50 | 817 49 06-36 | Tornillo TT 3/8-16 x 2-1/4 | | | |
| 52 | 532 19 31-97 | Polea loca primaria 48" | | | |

NOTA: Las dimensiones de todos los componentes están expresadas en pulgadas americanas. 1 pulgada = 25,4 mm

TRACTOR - MODELO NO. YTH23V48 (96043017500), PRODUCT NO. 960 43 01-75
ELEVACIÓN DE LA CORTADORA DE CÉSPED

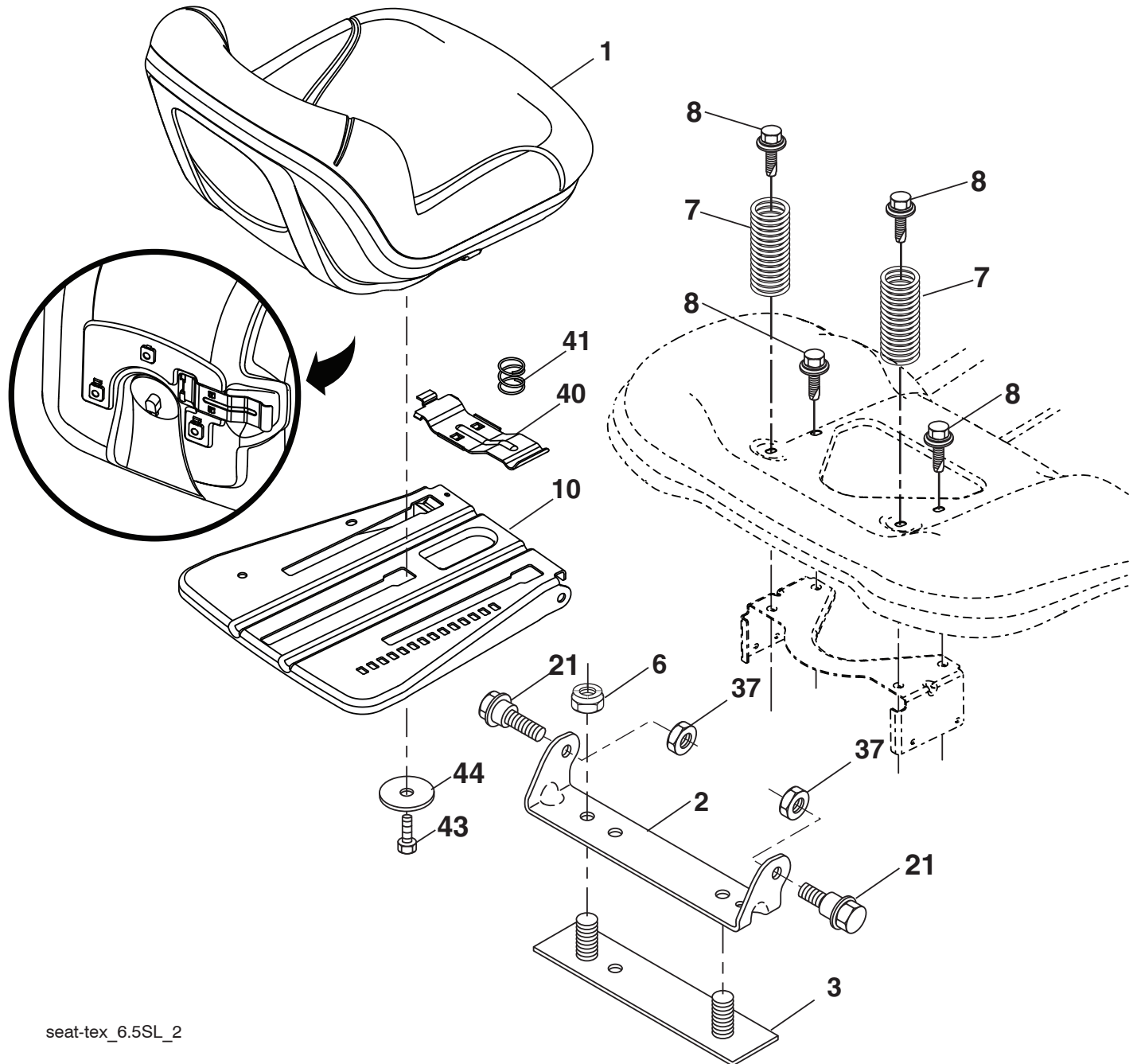


| CÓDIGO No. | PIEZA No. | DESCRIPCIÓN |
|------------|--------------|---|
| 2 | 532 42 20-27 | Ensamble del eje de la elevación |
| 3 | 532 19 52-31 | Ensamble de la palanca de elevación derecha |
| 7 | 580 96 23-01 | Mango de la palanca |
| 10 | 532 19 63-14 | Resorte de torsión |
| 87 | 532 19 42-09 | Pasador de chaveta de 7/16 con bloqueo en forma de mariposa |
| 88 | 532 41 07-10 | Resorte de ayuda de la elevación |
| 89 | 819 19 19-12 | Arandela de zinc transparente |
| 90 | 532 19 42-08 | Pasador de chaveta de 5/16 con |

| CÓDIGO No. | PIEZA No. | DESCRIPCIÓN |
|------------|--------------|--|
| 91 | 532 19 51-81 | bloqueo en forma de mariposa |
| 97 | 817 00 06-12 | Ensamble del acoplamiento |
| 98 | 532 19 52-64 | Tornillo de 3/8-16 x 0,75 |
| | | Acoplamiento frontal de la elevación de la cortadora de césped |

NOTA: Las dimensiones de todos los componentes están expresadas en pulgadas americanas. 1 pulgada = 25,4 mm

**TRACTOR - MODELO NO. YTH23V48 (96043017500), PRODUCT NO. 960 43 01-75
ENSAMBLE DEL ASIENTO**



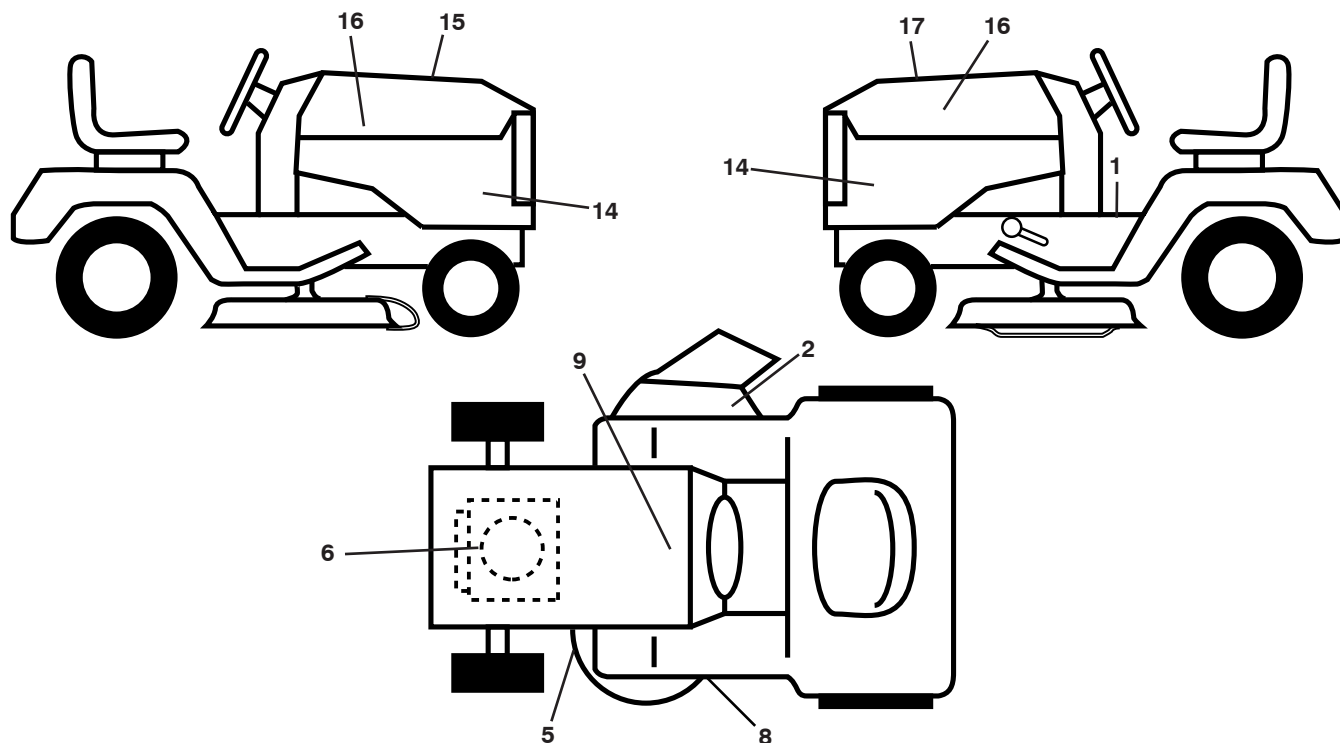
seat-tex_6.5SL_2

| CÓDIGO No. | PIEZA No. | DESCRIPCIÓN |
|------------|--------------|---|
| 1 | 532 43 98-22 | Asiento |
| 2 | 532 18 01-66 | Soporte pivotante del guardabarros |
| 3 | 532 14 06-75 | Conector del ensamble del guardabarros |
| 6 | 873 80 06-00 | Tuerca de presión c/aislamiento de 3/8-16 unc |
| 7 | 532 12 41-81 | Resorte del asiento |
| 8 | 532 17 18-77 | Perno de 5/16" unc x 3/4" |
| 10 | 532 19 69-77 | Bandeja del asiento |
| 21 | 532 17 18-52 | Perno de tope de 5/16-18 |

| CÓDIGO No. | PIEZA No. | DESCRIPCIÓN |
|------------|--------------|---|
| 37 | 873 80 05-00 | Tuerca de presión de 5/16-18 unc |
| 40 | 532 19 76-61 | Manija para deslizar el asiento |
| 41 | 532 19 82-00 | Resorte para trabar el asiento |
| 43 | 874 76 06-12 | Perno de cabeza hexagonal con aleta de 3/8-16 unc x 3/4 |
| 44 | 819 13 38-12 | Arandela de 13/32 x 2-3/8 calibre 12 |

NOTA: Las dimensiones de todos los componentes están expresadas en pulgadas americanas. 1 pulgada = 25,4 mm

**TRACTOR - MODELO NO. YTH23V48 (96043017500), PRODUCT NO. 960 43 01-75
CALCOMANÍAS**



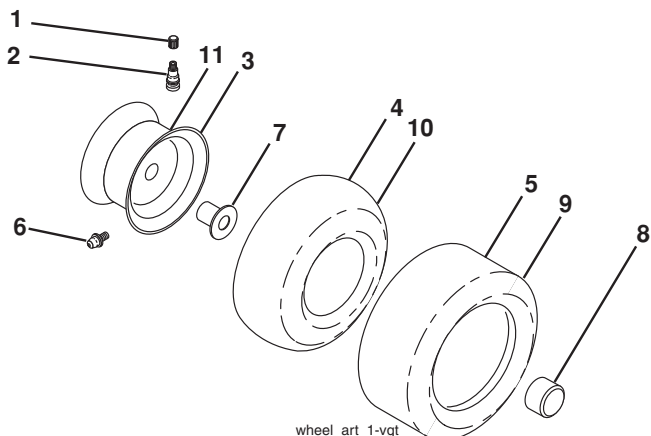
CÓDIGO PIEZA

| No. | No. | DESCRIPCIÓN |
|-----|--------------|---|
| 1 | 581 57 89-01 | Calcomanía advertencia |
| 2 | 581 57 95-01 | Calcomanía advertencia |
| 5 | 581 72 45-02 | Calcomanía precaución |
| 6 | 585 55 70-01 | Calcomanía motor |
| 8 | 581 58 00-02 | Calcomanía del diagrama de la cortadora de césped |
| 9 | 532 14 50-05 | Calcomanía de Peligro/Punto de interconexión |
| 14 | 532 43 86-63 | Calcomanía para el panel lateral |
| 15 | 532 42 38-29 | Calcomanía responsabilidad del cliente |

CÓDIGO PIEZA

| No. | No. | DESCRIPCIÓN |
|-----|--------------|--------------------------------------|
| 16 | 581 62 73-01 | Calcomanía para el logo de la capota |
| 17 | 585 98 94-01 | Calcomanía de reemplazo |
| -- | 581 72 48-01 | Calcomanía para la desviación |
| -- | 532 43 96-81 | Forro del apoyo para los pies (LI) |
| -- | 532 43 96-82 | Forro del apoyo para los pies (LD) |
| -- | 586 02 27-26 | Manual de Operario (INGLÉS/ESPAÑOL) |
| -- | 586 02 27-27 | Manual De Repuestos (INGLÉS/ESPAÑOL) |

RUEDAS Y NEUMÁTICOS



CÓDIGO PIEZA

| No. | No. | DESCRIPCIÓN |
|-----|--------------|--|
| 1 | 532 05 91-92 | Tapa de la válvula del neumático |
| 2 | 532 06 51-39 | Vástago de la válvula |
| 3 | 532 13 83-36 | Ensamble de las llantas delanteras |
| 4 | 532 05 99-04 | Cámara delantera (Mantenimiento sólo) |
| 5 | 532 10 62-22 | Neumático delantero 15 X 6-6 |
| 6 | 532 12 49-57 | Accesorio para engrasar (solo para la rueda delantera) |
| 7 | 532 12 49-59 | Rodamiento de la brida (solo para la rueda delantera) |
| 8 | 532 17 50-39 | Tapa del eje |
| 9 | 532 13 84-68 | Neumático trasero 20 X 8-8 |
| 10 | 532 12 49-26 | Cámara trasera (Mantenimiento sólo) |
| 11 | 532 13 83-37 | Ensamble trasero de la llanta |
| -- | 532 14 43-34 | Sellador para neumáticos (tubo de 10 onzas [283 gr]) |

NOTA: Las dimensiones de todos los componentes están expresadas en pulgadas americanas. 1 pulgada = 25,4 mm

NOTES/AVISO

09/16/2013 CL