

532 44 56-30 Rev 1



Repair Parts Manual
Manual De Repuestos
YTH24V42LS / 96043012801

Please read the operator's manual carefully and make sure you understand the instructions before using the machine.

Por favor lea cuidadosamente y comprenda estas intrucciones antes de usar esta maquina.



English/Spanish

HOW TO USE THIS MANUAL

This manual is designed to provide the customer with a means to identify the parts on his/her tractor when ordering repair parts. The illustrations may or may not represent the actual assemblies; therefore, it is not recommended to use this manual as a guide to assemble or disassemble the tractor. Some hardware and parts are drawn larger in order to more readily identify them.

Each tractor has its own model number.

The model number for your tractor can be found on the fender under the seat.

When ordering parts, always give the following information:

- Product - "TRACTOR"
- MODEL NUMBER - "YTH24V42LS" (96043012801)"
- Part Number
- Part Description

TABLE OF CONTENTS

SCHEMATIC	3
ELECTRICAL.....	4-5
CHASSIS	6-7
DRIVE.....	8-9
ENGINE.....	10-11
STEERING	12-13
MOWER DECK.....	14-15
MOWER LIFT.....	16
SEAT	17
DECALS.....	18

COMO UTILIZAR ESTE MANUAL

Este manual está diseñado para brindarle al comprador un medio para identificar las piezas del tractor para cuando necesite hacer el pedido de un repuesto. Las ilustraciones pueden o no representar los ensambles reales; por lo tanto, no se recomienda utilizar este manual como una guía para ensamblar o desarmar el tractor. Algunos accesorios y piezas están dibujados en tamaños más grandes para identificarlos con mayor facilidad.

Cada tractor tiene su propio número de modelo.

El número de modelo del tractor se encuentra en el guardabarros debajo del asiento.

Cuando haga el pedido de una pieza, siempre brinde la siguiente información:

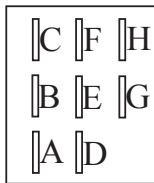
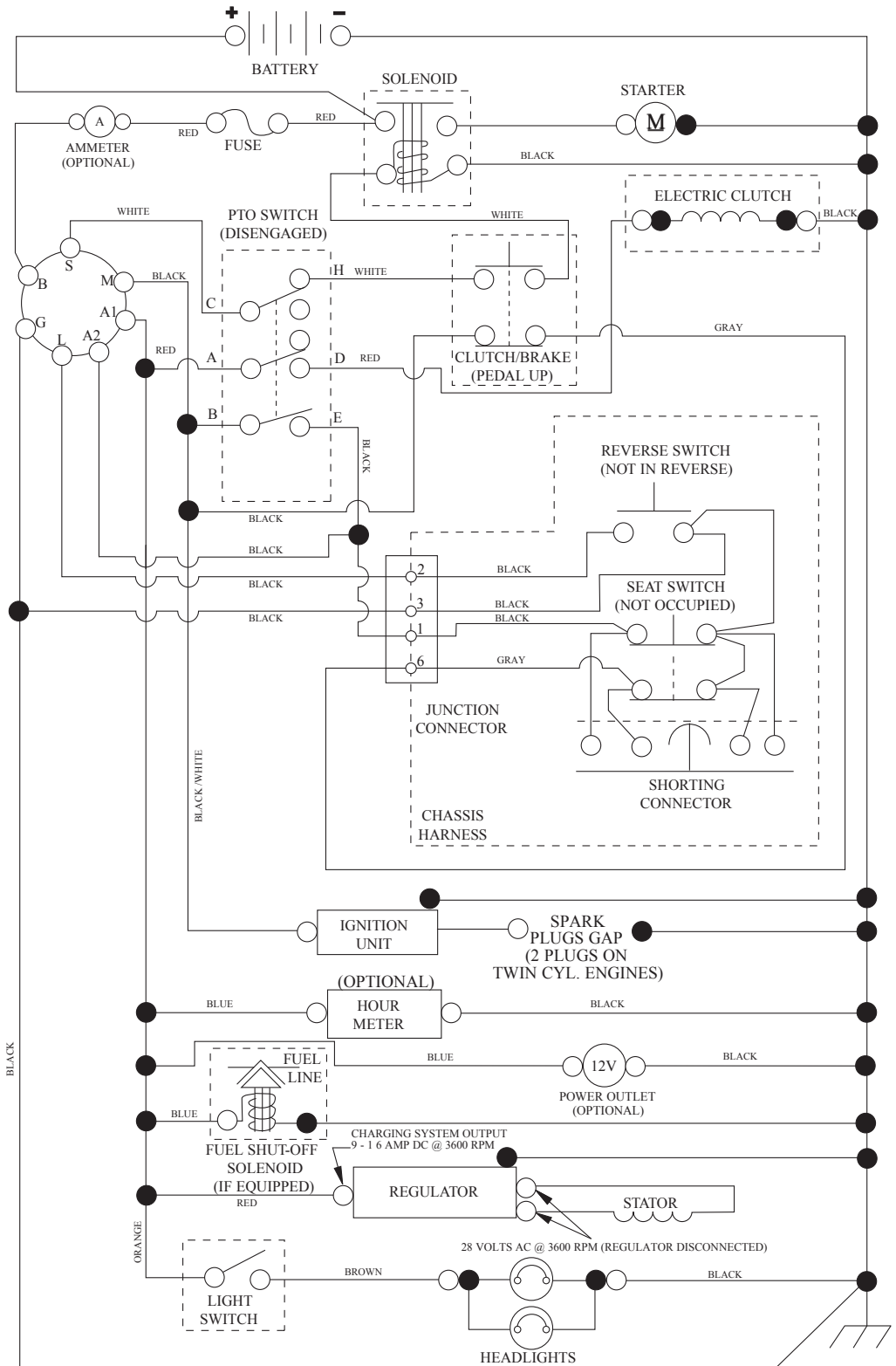
- Producto: "TRACTOR"
- NÚMERO DE MODELO: "YTH24V42LS"(96043012801)"
- Número de pieza
- Descripción de la pieza

ÍNDICE

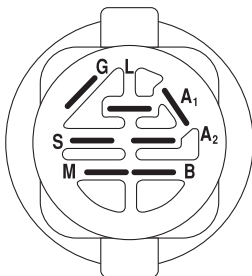
DIAGRAMA.....	19
DIAGRAMA ELÉCTRICO	20-21
CHASIS.....	22-23
TRANSMISIÓN	24-25
MOTOR	26-27
DIRECCIÓN	28-29
PLATAFORMA DE LA CORTADORA DE CÉSPED.....	30-31
ELEVACIÓN DE LA CORTADORA DE CÉSPED.....	32
ASIENTO.....	33
CALCOMANÍAS.....	34

TRACTOR - MODEL NO. YTH24V42LS (96043012801), PRODUCT NO. 960 43 01-28 SCHEMATIC

SCH12

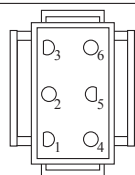


PTO SWITCH
(MATING SIDE)

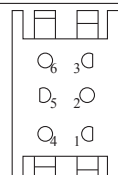


IGNITION SWITCH

POSITION	CIRCUIT "MAKE"
OFF	M+G+A1
RUN/OVERRIDE	B+A1
RUN	B+A1 L+A2
START	B + S + A1



CHASSIS HARNESS
CONNECTOR
(MATING SIDE)



DASH HARNESS
CONNECTOR

WIRING INSULATED CLIPS
NOTE: IF WIRING INSULATED
CLIPS WERE REMOVED FOR
SERVICING OF UNIT, THEY
SHOULD BE RE-INSTALLED TO
PROPERLY SECURE YOUR
WIRING.

●
NON-REMOVABLE
CONNECTIONS

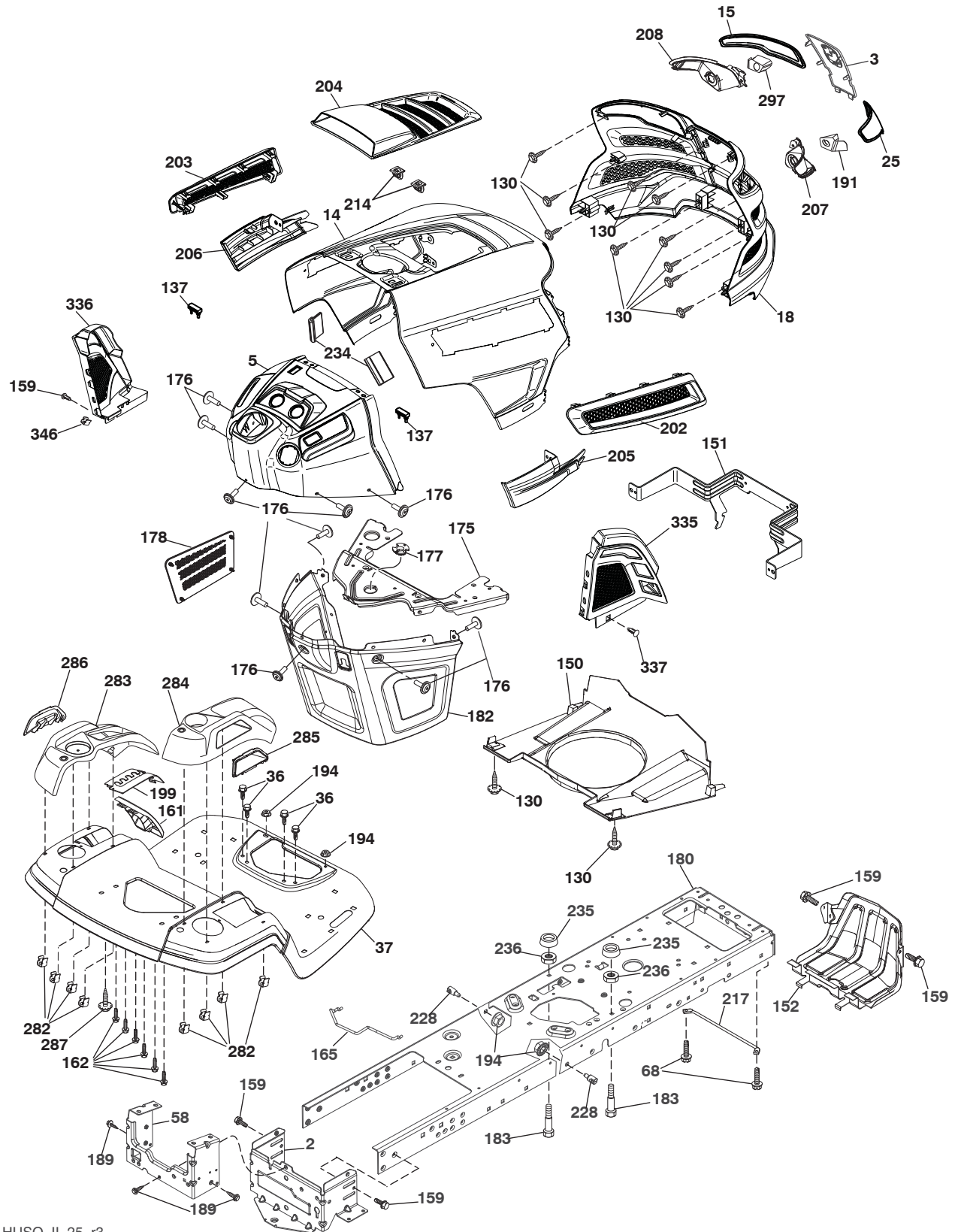
○
REMOVABLE
CONNECTIONS

**TRACTOR - MODEL NO. YTH24V42LS (96043012801), PRODUCT NO. 960 43 01-28
ELECTRICAL**

KEY NO.	PART NO.	DESCRIPTION
1	532 16 34-65	Battery
2	874 76 04-12	Bolt Hex Head 1/4-20 x 3/4
8	532 41 41-26	Box Battery
16	532 17 61-38	Switch Interlock Push-In
21	532 40 02-52	Harness Socket Light w/4152J
22	532 00 41-52	Bulb Light
24	532 40 02-53	Cable Battery
25	532 41 28-95	Cable Starter
26	532 17 51-58	Fuse
27	873 51 04-00	Nut Keps Hex 1/4-20 unc
28	532 14 54-91	Cable, Ground
29	532 40 15-45	Switch, Seat
30	532 19 33-50	Switch, Ign
33	532 41 19-33	Key\Chain
34	532 11 07-12	Switch Light / Reset
40	532 40 21-67	Harness Ign. Dash
41	817 72 04-08	Screw Thd Cut 1/4-20 x 1/2
42	532 13 15-63	Cover, Terminal
43	532 19 25-07	Solenoid
45	532 42 52-70	Ammeter Gauge Round
46	532 42 52-71	Gauge Servicere minder Hrmt r
50	532 17 46-51	Switch PTO
55	817 06 05-12	Screw Thdrol 5/16-18 x 3/4 TYTT
59	532 40 03-03	Outlet 12-Volt
71	532 19 42-76	Harness Ign. Chassis
79	532 17 52-42	Socket Asm Bulb Twistlock
90	532 43 53-95	Cover Terminal
91	532 19 02-70	Strap Battery Mount
99	817 67 04-12	Screw Hexwsh Thdrol 1/4-20 x 3/4
100	819 09 14-16	Washer 9/32 x 7/8 x 16 Ga.
102	532 40 44-54	Harness Pigtail
103	532 42 17-47	Harness 12-Volt Pigtail
105	532 40 75-68	Switch Reverse TT Pedal Control

NOTE: All component dimensions given in U.S. inches
1 inch = 25.4 mm

TRACTOR - MODEL NO. YTH24V42LS (96043012801), PRODUCT NO. 960 43 01-28
CHASSIS



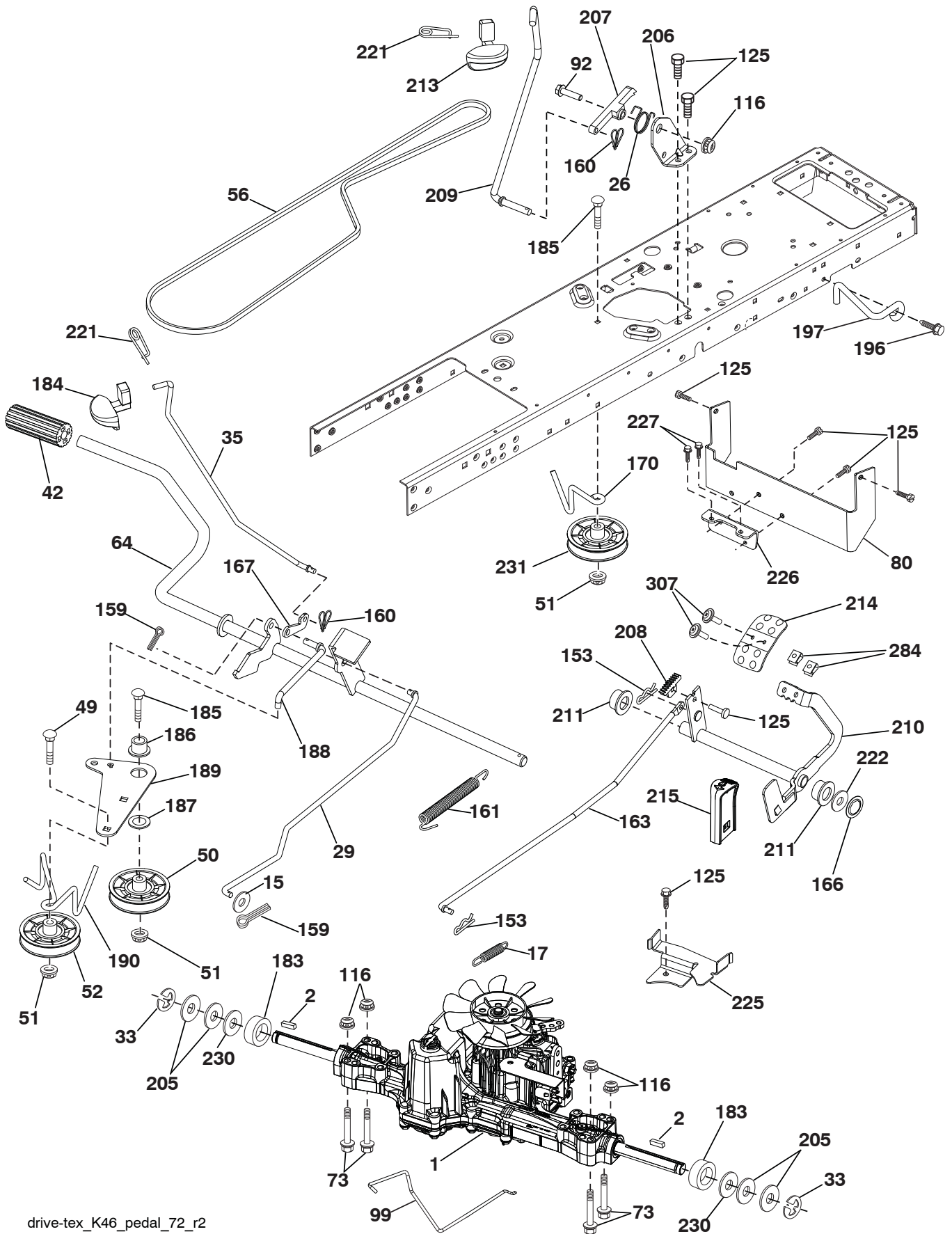
chassis-tex_GT HUSQ_II_25_r3

**TRACTOR - MODEL NO. YTH24V42LS (96043012801), PRODUCT NO. 960 43 01-28
CHASSIS**

KEY NO.	PART NO.	DESCRIPTION	KEY NO.	PART NO.	DESCRIPTION
2	532 41 22-82	Drawbar	202	532 43 97-28	Vent Side Hood RH
3	532 43 97-52	Applique	203	532 43 97-27	Vent Side Hood LH
5	532 43 74-70	Dash	204	532 43 57-14	Vent Top Hood
14	532 44 11-77	Hood	205	532 43 97-30	Side Trim RH
15	532 43 97-33	Lens LH	206	532 43 97-29	Side Trim LH
18	532 43 77-62	Grille/Lens Asm.	207	532 43 97-34	Bezel RH
25	532 44 33-85	Lens RH	208	532 43 97-35	Bezel LH
36	817 06 05-12	Screw 5/16-18 x 3/4	214	532 19 91-45	Clip Retainer Tinner
37	532 44 11-78	Fender	217	532 40 91-67	Rod Pivot
58	532 41 22-80	Drawbar Upper	228	532 19 51-61	Stud Fastener
68	817 49 05-08	Screw Thdrol 5/16-18 x 1/2	234	532 40 47-42	Bumper Hood
130	532 41 63-58	Screw 10 x 0.750 BOS Thread	235	532 40 61-29	Spacer Fender
137	532 40 75-90	Bumper Dash	236	873 93 05-00	Nut Lock 5/16-18 unc
150	532 43 97-74	Air Duct	282	532 41 41-10	Clip Retainer Console
151	532 43 66-70	Bracket Pivot Hood	283	532 43 98-61	Console Deck Lift
152	532 43 60-86	Shield Browning	284	532 43 98-23	Console Shift
159	817 00 06-12	Screw 3/8-16 x 3/4	285	532 41 63-15	Console Insert RH
161	532 43 97-81	Window Fuel	286	532 41 63-17	Console Insert LH
162	532 14 24-32	Screw Hex Wsh Hi-Lo 1/4x 1/2 unc	287	817 60 04-06	Screw 1/4-20 X 3/8
165	532 19 43-30	Support Tank Rear	297	532 43 74-56	Insert Reflective LH
175	532 19 63-04	Crossmember	335	532 43 98-47	Cover-RH Lower
176	532 40 07-76	Screw 10-24 x 5/8	336	532 44 53-09	Cover-LH Lower
177	532 19 52-27	Bushing Steering	337	532 43 81-37	Clip
178	532 19 97-82	Cargo Net Asm.	346	532 12 64-71	Clip Insulator
180	532 19 42-60	Chassis	--	532 42 49-18	Kit Guard Brush
182	532 40 68-59	Dash Lower			
183	874 52 05-20	Bolt 5/16-18 x 1-1/4			
189	817 00 05-12	Screw 5/16-18 x 3/4			
191	532 43 74-55	Insert Reflective RH			
194	873 90 05-00	Nut Lock Hex Flange 5/16-18			
199	532 41 34-85	Plate Deck Lift			

NOTE: All component dimensions given in U.S. inches
1 inch = 25.4 mm

**TRACTOR - MODEL NO. YTH24V42LS (96043012801), PRODUCT NO. 960 43 01-28
DRIVE**



drive-tex_K46_pedal_72_r2

TRACTOR - MODEL NO. YTH24V42LS (96043012801), PRODUCT NO. 960 43 01-28 DRIVE

KEY NO.	PART NO.	DESCRIPTION	KEY NO.	PART NO.	DESCRIPTION
1	---	Transaxle, TUFFTORQ K46CR (426121)(Order parts from trans-axle manufacturer.)	184	532 44 14-55	Handle Parking Brake
2	532 12 35-83	Key	185	872 11 06-22	Bolt Rdhd Sqnk 3/8-16 x 2-1/2
15	819 13 13-16	Washer 13/32 x 13/16 x 16 Ga.	186	532 19 43-21	Spacer Retainer
17	532 41 36-78	Spring, Brake	187	819 13 32-10	Washer
26	532 19 96-79	Spring Return Cruise	188	532 19 43-23	Link Clutch Ground Drive
29	532 40 38-06	Rod, Brake	189	532 19 43-17	Bellcrank Ground Drive
33	812 00 00-01	Ring E	190	532 19 43-18	Keeper Bellcrank Ground Drive
35	532 43 54-86	Rod, Brake, Park	196	817 00 06-16	Screw 3/8-16 x 1
42	532 12 48-72	Cover, Foot Pedal	197	532 19 58-04	Bracket Clutch Anti-Rotation
49	872 11 06-14	Bolt	205	532 12 17-48	Washer
50	532 19 43-27	Pulley Idler Flat	206	532 19 78-67	Bracket Mount Latch Cruise
51	873 90 06-00	Lock Nut 3/8-16	207	532 19 78-68	Latch Control Cruise
52	532 19 43-26	Idler V-Groove	208	532 19 78-69	Gear Sector Control Cruise
56	532 13 09-69	V-Belt, Drive	209	532 19 95-92	Rod Control Cruise
64	532 19 78-65	Shaft Asm. Pedal Brake Control	210	532 40 09-80	Rocker Asm. Pedal Control
73	874 49 05-40	Bolt Hex 5/16-18 x 2-1/2 Gr. 5	211	532 12 01-83	Bearing Nylon
80	532 44 06-19	Bracket Strap Torque	213	532 40 31-19	Knob Control Cruise
92	874 76 05-20	Bolt Fin Hex 5/16-18 unc x 1.25	214	532 41 68-63	Pedal Forward
99	532 41 57-42	Rod Spring Bypass	215	532 40 17-23	Pedal Reverse
116	873 90 05-00	Nut Lock Hex Flange 5/16-18	221	532 40 31-87	Retainer Spring Clip Handle
125	817 00 05-12	Screw 5/16-18 x 3/4	222	879 21 20-10	Washer 21/32 x 1-1/4 x 10 Ga.
153	532 12 47-88	Retainer Spring	225	532 40 33-19	Keeper Belt Trans.
159	876 02 04-12	Pin Cotter 1/8 x 3/4	226	532 40 15-64	Bracket Mount Torque
160	532 16 94-84	Retainer Clip	227	817 49 05-12	Screw 5/16-18 x 3/4
161	532 10 57-09	Spring, Return, Clutch	230	532 18 89-67	Washer Hardened
163	532 40 10-34	Rod Pedal Control	231	532 40 72-87	Idler V-Groove
166	532 42 91-64	Nut Push	284	532 41 76-93	Nut U-CHNL 1/4-20 550DP .350 PNL
167	532 40 52-57	Latch Brake Parking	307	874 18 04-12	Screw 1/4-20 x 3/4
170	532 41 34-30	Keeper Belt Centerspan			
183	532 13 70-57	Spacer Split			

NOTE: All component dimensions given in U.S. inches
1 inch = 25.4 mm

**TRACTOR - MODEL NO. YTH24V42LS (96043012801), PRODUCT NO. 960 43 01-28
ENGINE**

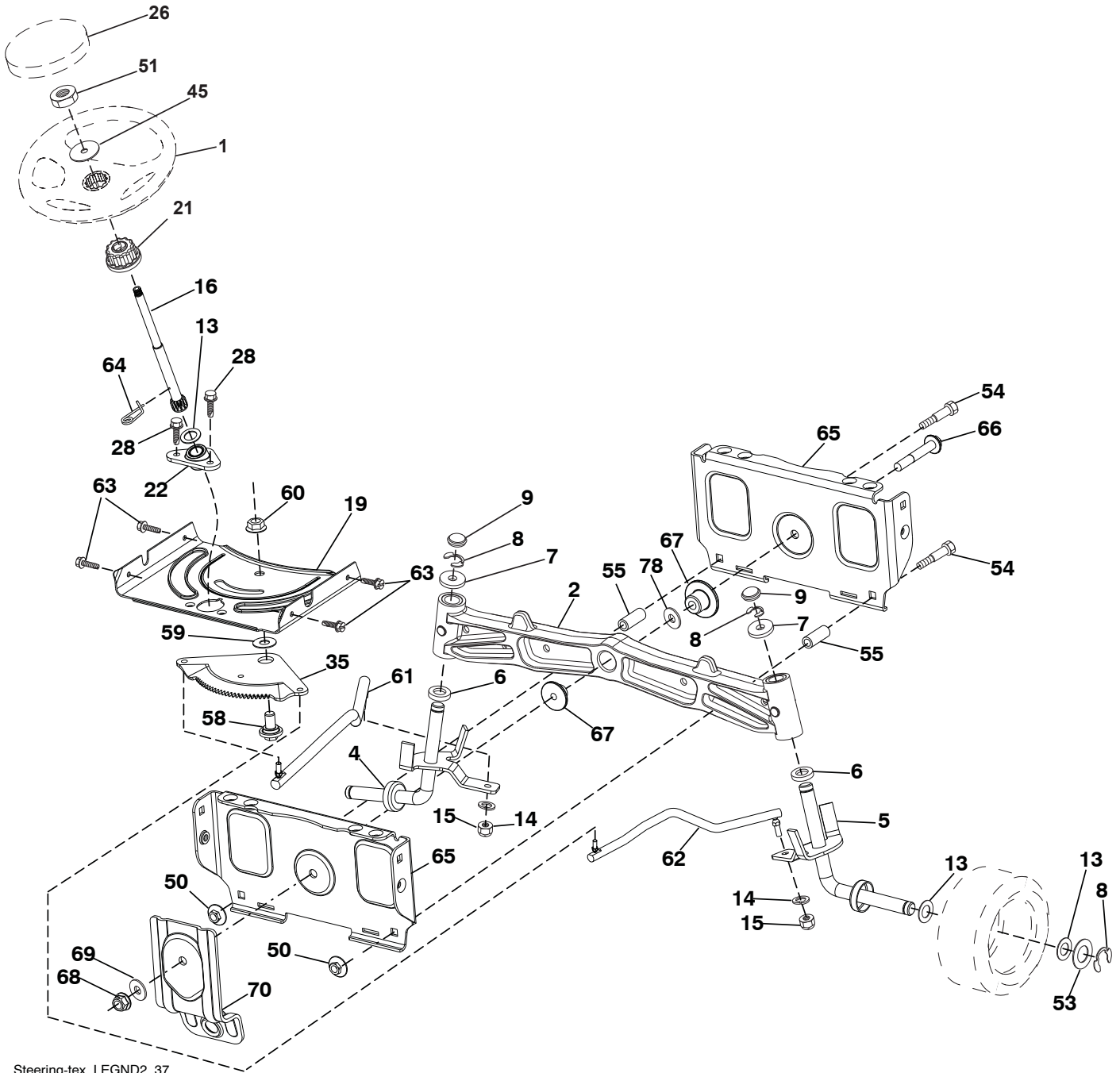
KEY NO.	PART NO.	DESCRIPTION
1	---	Engine KAWA Model No. FR730V-AS12-R (445364)(Order parts from engine manufacturer.)
2	532 14 97-23	Muffler
9	532 19 43-20	Keeper Belt Engine
11	532 40 00-08	Clutch Electric
12	532 40 50-97	Pulley Engine
14	532 14 84-56	Tube Drain
15	532 41 41-51	Tank Fuel
18	532 43 92-08	Cap
20	532 42 43-41	Control Throttle
21	532 41 63-58	Screw #10 x .750 BOS Thread
22	532 19 15-96	Control Choke
28	532 40 11-35	Fuel Line
29	532 13 71-80	Spark Arrester Kit
37	532 12 34-87	Clamp Hose
41	532 12 61-97	Washer 1-1/2 OD x 15/32 ID x .250
42	810 04 07-00	Washer Lock 7/16
45	873 51 04-00	Nut Keps Hex 1/4-20 unc
62	532 43 40-17	Heat Shield
69	532 17 81-51	Gasket
70	532 42 47-65	Tube Exhaust LH
71	532 42 47-66	Tube Exhaust RH
85	532 17 39-37	Bolt Hex 7/16-20 x 4 x Gr. 5-1.5 Thr
86	532 18 43-62	Nut Hex Flange Toplock M8-1.25
87	537 17 18-77	Bolt 5/16-18 unc x 3/4 w/Sems
90	817 00 06-16	Screw 3/8-16 x 1
91	532 18 74-95	Bushing 1.375 OD
92	817 12 06-16	Screw 3/8-16 x 1
109	532 41 41-14	Canister Carbon
110	532 41 41-18	Valve Anti-Slosh
111	532 41 41-19	Purge Line
113	532 41 41-27	Valve Slant
116	539 13 26-24	Knob Soft Touch

NOTE: All component dimensions given in U.S. inches
1 inch = 25.4 mm

For engine service and replacement parts, call the toll free number for your engine manufacturer listed below:

Kawasaki 1-949-460-5688

TRACTOR - MODEL NO. YTH24V42LS (96043012801), PRODUCT NO. 960 43 01-28
STEERING ASSEMBLY



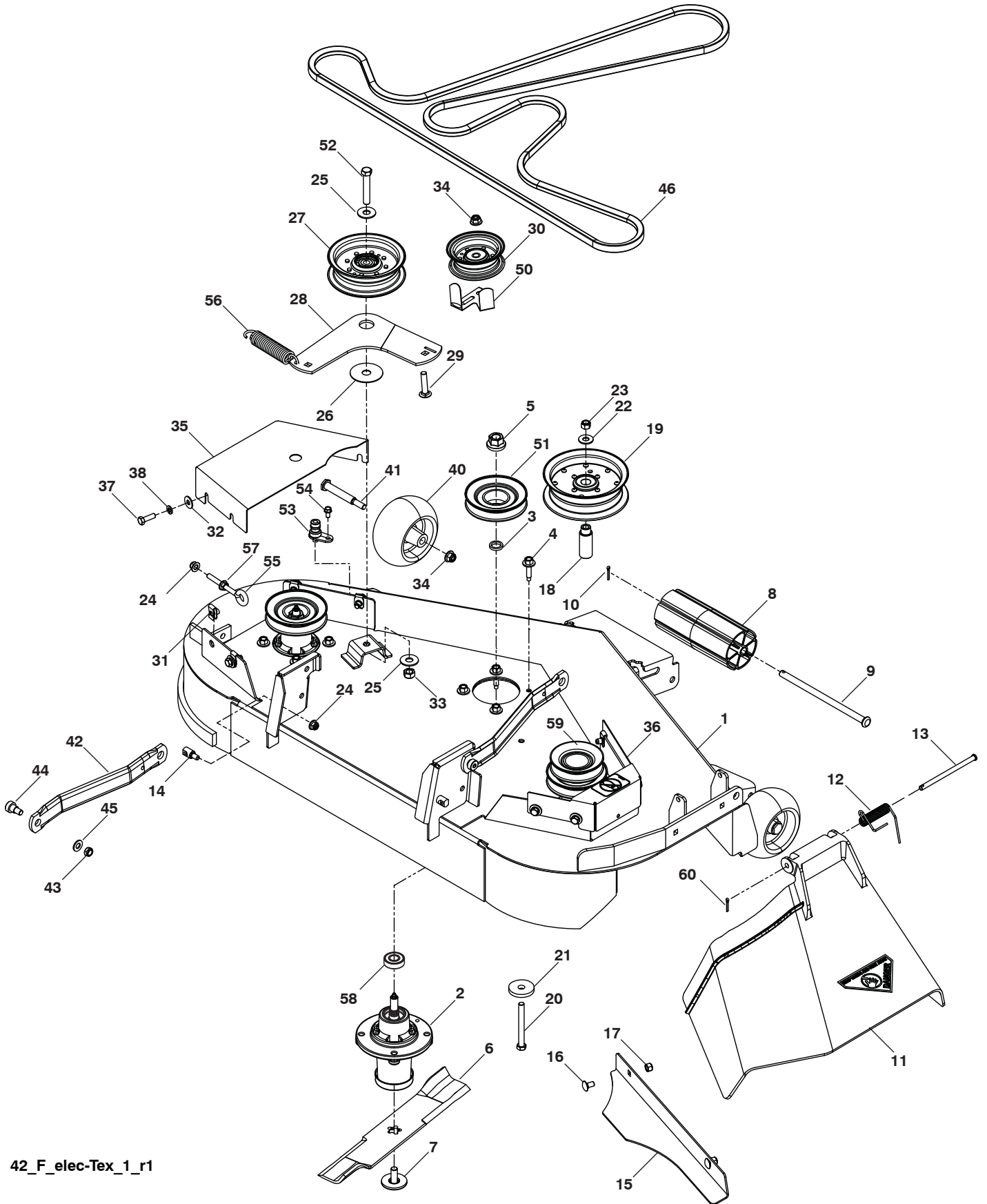
Steering-tex_LEGND2_37

**TRACTOR - MODEL NO. YTH24V42LS (96043012801), PRODUCT NO. 960 43 01-28
STEERING ASSEMBLY**

KEY NO.	PART NO.	DESCRIPTION
1	532 43 97-40	Wheel, Steering
2	532 19 59-68	Axle Asm., Front
4	532 40 30-89	Spindle Asm., LH
5	532 40 30-90	Spindle Asm., RH
6	532 12 49-31	Bearing, Race Thrust Harden
7	532 12 17-48	Washer 25/32 x 1-5/8 x 16 Ga.
8	812 00 00-29	Ring, Clip #T5304-75
9	532 12 12-32	Cap, Spindle
13	532 12 17-49	Washer 25/32 x 1-1/4 x 16 Ga.
14	810 04 06-00	Washer, Lock Hvy Hlcl Spr 3/8
15	873 54 06-00	Nut, Crown Lock 3/8-24 unf
16	532 40 82-19	Shaft Steering
19	532 19 47-29	Plate Steering
21	532 18 67-37	Adapter, Wheel Steering
22	532 42 05-37	Steering Support Lower
26	532 43 97-43	Insert, Wheel Steering
28	817 00 06-12	Screw 3/8-16 x 3/4
35	532 19 47-32	Gear, Sector Plate
45	819 18 38-12	Washer 9/16 ID x 2-3/8 OD 12 Ga.
50	873 90 06-00	Nut Lock Flg. 3/8-16 unc
51	873 94 08-00	Nut Hex Jam Toplock 1/2-20 unf
53	532 18 89-67	WasherHardened.793x1.637x.060
54	874 76 06-36	Bolt Hex 3/8-16 unc x 2-1/4
55	532 41 47-36	Spacer Brace Axle
58	532 19 47-47	Bolt Shoulder Sector Pivot CFM
59	532 19 47-48	Washer Thrust Sector Steering
60	873 97 10-00	Nut Flange Lock 5/8-11
61	532 19 47-40	Draglink, LH
62	532 19 47-41	Draglink, RH
63	817 00 05-12	Screw 5/16-18 x 3/4
64	532 19 98-49	Retainer Clip Spring Steering
65	532 19 47-34	Brace Axle Front
66	871 02 07-48	Bolt Hex Fghd 7/16-14 x 3 Serr
67	532 19 47-37	Bushing PM Front Axle
68	873 90 07-00	Nut Lock Flange 7/16-14 Gr. 5
69	532 19 91-62	Washer 1.5 x .505 x .118
70	532 19 61-97	Bracket Deck Susp. Front
78	532 05 70-79	Washer Thrust

NOTE: All component dimensions given in U.S. inches
1 inch = 25.4 mm

TRACTOR - MODEL NO. YTH24V42LS (96043012801), PRODUCT NO. 960 43 01-28
MOWER DECK



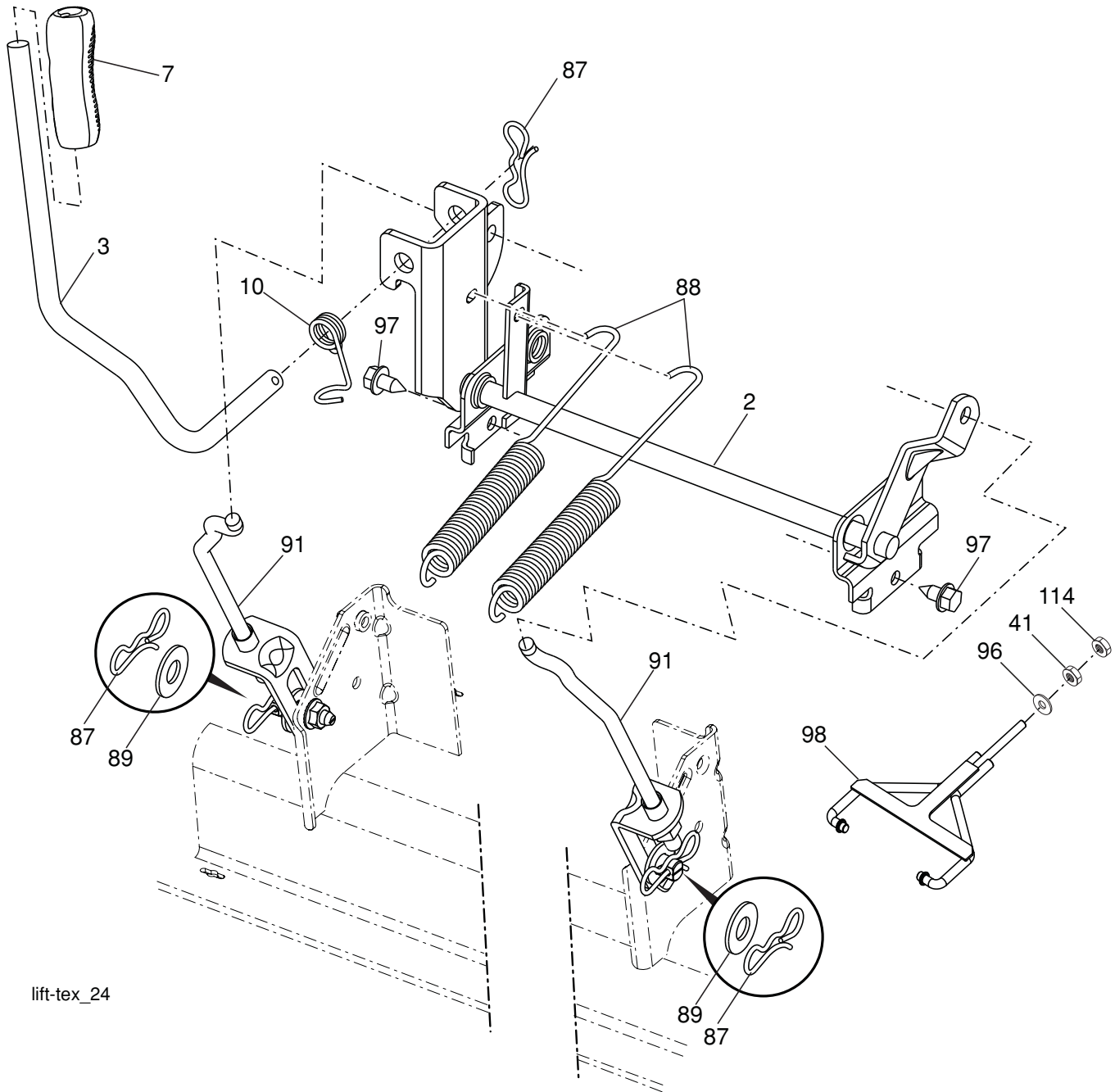
42_F_elec-Tex_1_r1

**TRACTOR - MODEL NO. YTH24V42LS (96043012801), PRODUCT NO. 960 43 01-28
MOWER DECK**

KEY NO.	PART NO.	DESCRIPTION	KEY NO.	PART NO.	DESCRIPTION
1	532 44 53-56	Deck w/Decals 42"	33	539 13 20-19	Nut, 7/16-14 Hex Nyloc
2	539 11 21-70	Housing Assembly	34	521 99 65-01	Nut 3/8-16 Hex Flg Nyloc
3	532 18 76-90	Washer-Spacer	35	575 22 47-02	Shield, Belt LH
4	539 10 76-30	Screw, Washer Head	36	575 50 03-02	Shield, Belt RH
5	532 40 02-34	Nut, Flg. Lock Top	37	539 99 02-09	Hcs 5/16-18 x 1 Gr. 5
6	539 11 20-78	Blade, 14-5/8"	38	539 99 01-87	Wash 5/16 Slw
7	539 19 30-03	Bolt, 7/16, Assy Blade	40	539 10 76-10	Wheel, Gauge
8	532 17 60-66	Roller, Nose	41	532 19 34-06	Bolt, Shoulder
9	532 17 91-27	Rod, Roller, Nose	42	532 19 51-85	Arm, Susp., Rear
10	539 19 42-08	Clip Retainer	43	539 20 02-82	Nut, 3/8-16 Hex Jam Nyloc
11	532 11 07-31	Discharge Chute - 42" Plastic	44	539 11 36-21	Sb 3/8-16 x 3/8 Skt Hd
12	532 11 07-35	Spring - Torsion	45	539 99 01-22	Washer, 3/8 Sae Flt
13	532 11 07-36	Pin, Clevis 5/16 x 5.19	46	574 84 56-01	Belt, 42" Fab Deck
14	532 19 51-61	Stud, Fasten w/ Anti- Rotate	50	575 22 43-01	Guard, Belt
15	539 11 24-13	Confinement Plate	51	575 22 44-01	Pulley, Mandrel
16	539 99 07-99	Rhsnb 5/16-18 x 5/8 Gr. 5	52	539 10 48-70	Hcs 7/16-14 x 2-1/2 Gr. 5
17	539 99 07-17	Nut 5/16-18 Hex Nyloc	53	532 41 55-98	Washout Port
18	575 22 45-01	Idler Bushing	54	539 10 84-61	Bolt, 1/4-20 x 1/2
19	539 13 27-28	Pulley, Idler	55	539 11 55-74	Eyebolt 5/16 x 3-1/2
20	539 10 82-71	Hcs 3/8-16 x 3-1/2 Gr. 5	56	539 10 68-50	Spring
21	539 10 65-04	Heavy Washer	57	539 99 05-58	Nut 5/16-18 Hex Whizlock
22	539 99 05-17	Washer, 3/8 Flat Std	58	539 11 20-50	Ball Bearing
23	539 97 69-79	Nut 3/8-16 Hex Nyloc	59	575 41 62-01	Pulley
24	539 11 28-99	Nut 5/16-18 Hex Flange Nyloc	60	532 16 94-84	Retainer Clip
25	539 10 48-64	Washer, 7/16 Flat	--	532 44 53-57	Mower Deck Complete
26	532 17 85-15	Washer, Flat Hardened			
27	532 19 61-04	Pulley, Idler Spec. Hub			
28	574 82 71-02	Arm, Idler, Blk			
29	539 99 09-23	Rhsnb 3/8-16 x 1-3/4 Gr. 5			
30	532 17 79-68	Pulley, Idler			
31	539 10 47-63	Retainer 5/16c U Type			
32	539 99 06-92	Washer, 5/16 Std Flt			

NOTE: All component dimensions given in U.S. inches
1 inch = 25.4 mm

**TRACTOR - MODEL NO. YTH24V42LS (96043012801), PRODUCT NO. 960 43 01-28
MOWER LIFT**



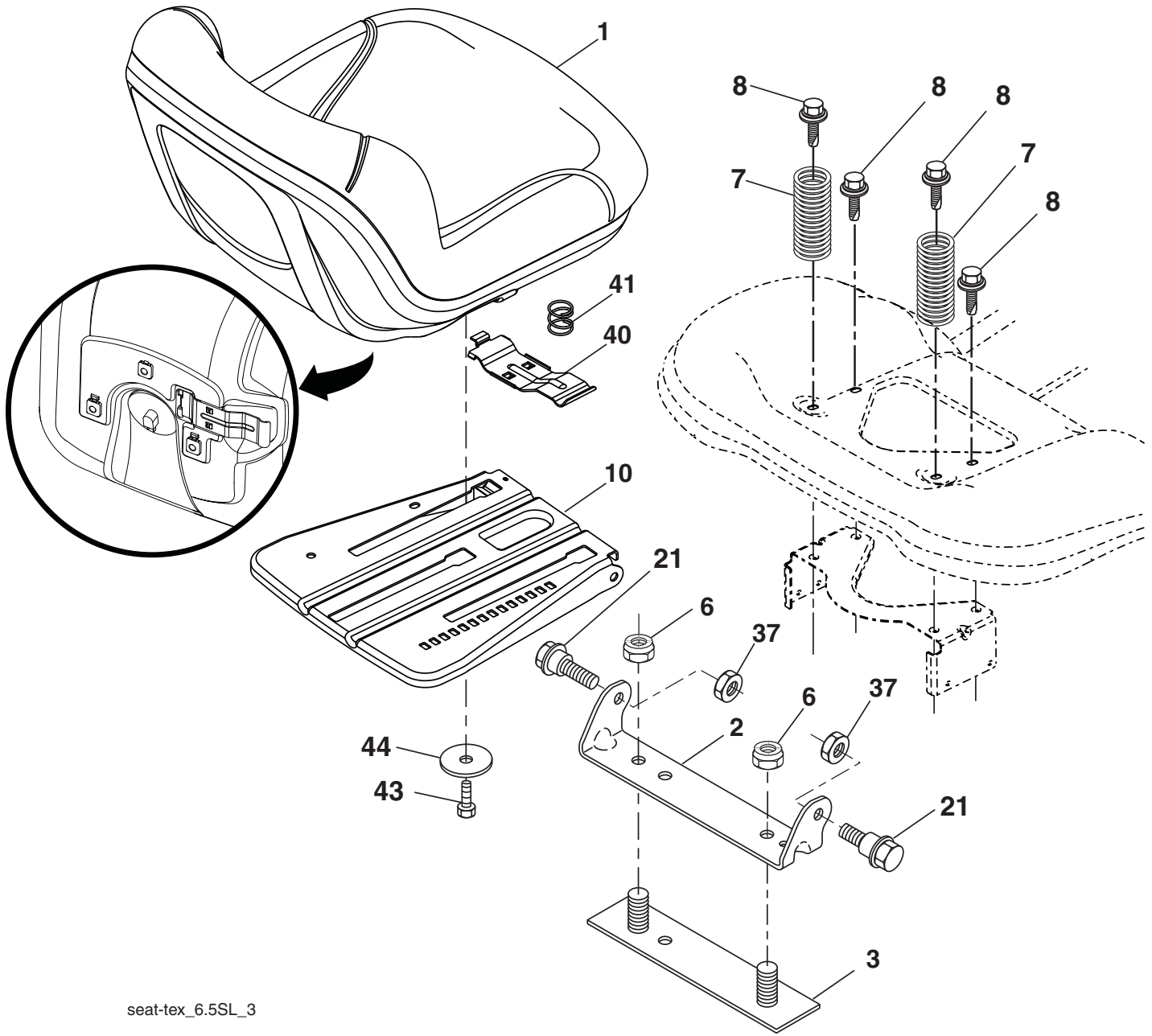
lift-tex_24

KEY NO.	PART NO.	DESCRIPTION
2	532 42 20-27	Shaft Asm., Lift
3	532 19 52-31	Lever Asm., Lift RH
7	532 41 15-55	Grip, Lever
10	532 19 63-14	Spring Torsion
41	532 17 59-94	Nut, Lift Link
87	532 19 42-09	Pin Cotter 7/16 Bow Tie Lock
88	532 41 07-10	Spring Lift Assist
89	819 19 19-12	Washer Clear Zinc

KEY NO.	PART NO.	DESCRIPTION
91	532 40 34-07	Link Lift Susp Mower Rear
96	532 19 52-63	Bushing, Spherical
97	817 00 06-12	Screw 3/8-16 x .75
98	574 82 25-01	Link Lift Susp. Front Mower
114	873 36 07-00	Nut Jam 7/16-20

NOTE: All component dimensions given in U.S. inches
1 inch = 25.4 mm

**TRACTOR - MODEL NO. YTH24V42LS (96043012801), PRODUCT NO. 960 43 01-28
SEAT ASSEMBLY**



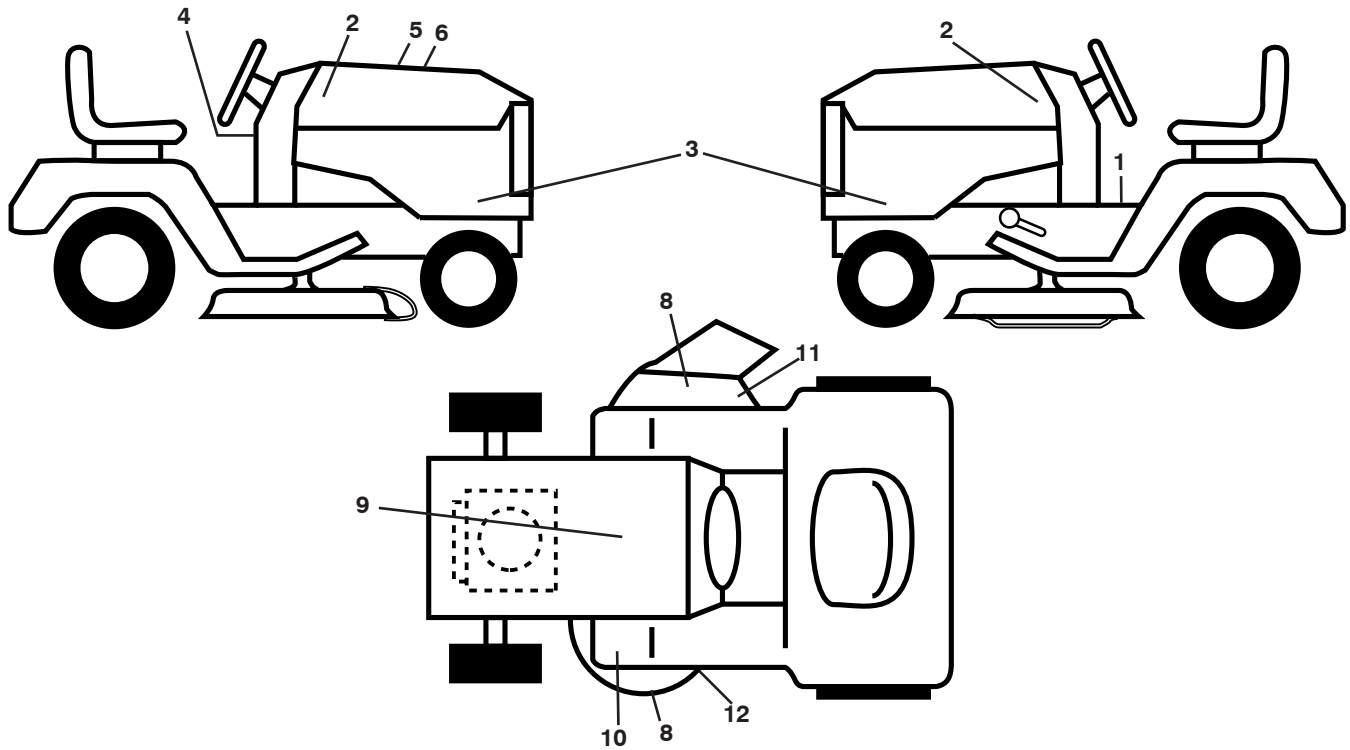
seat-tex_6.5SL_3

KEY NO.	PART NO.	DESCRIPTION
1	532 43 98-22	Seat
2	532 18 01-66	Bracket Pivot Fender
3	532 14 06-75	Strap, Asm Fender
6	873 80 06-00	Nut, Lock w/Ins. 3/8-16 unc
7	532 12 41-81	Spring, Seat Cprsn
8	532 17 18-77	Bolt 5/16-18 unc x 3/4 w/Sems
10	532 19 69-77	Pan, Seat
21	532 17 18-52	Bolt, Shoulder 5/16-18

KEY NO.	PART NO.	DESCRIPTION
37	873 80 05-00	Nut, Lock 5/16-18 unc
40	532 19 76-61	Handle Slide Seat
41	532 19 82-00	Spring Latch Seat
43	874 76 06-12	Bolt Fin Hex 3/8-16 unc x 3/4
44	819 13 38-12	Washer 13/32 x 2-3/8 x 12 Ga.

NOTE: All component dimensions given in U.S. inches
1 inch = 25.4 mm

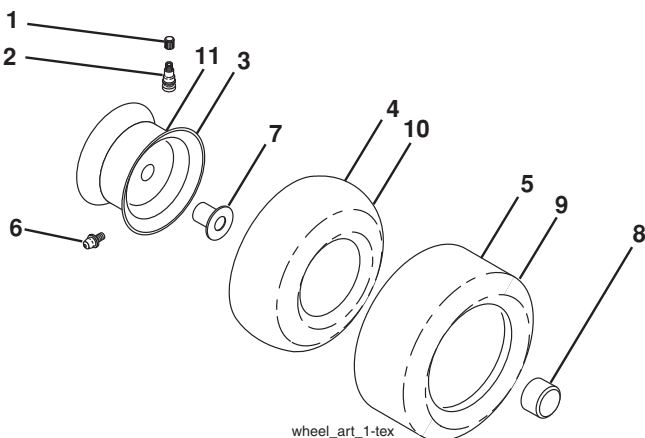
**TRACTOR - MODEL NO. YTH24V42LS (96043012801), PRODUCT NO. 960 43 01-28
DECALS**



KEY NO.	PART NO.	DESCRIPTION
1	532 41 16-57	Decal, Warning
2	532 42 91-96	Badge, Hood
3	532 44 04-26	Decal, Side Panel
4	532 42 41-02	Decal
5	532 42 38-29	Decal, Customer Respons.
6	532 44 02-34	Decal, Replacement
8	539 10 57-43	Decal, No Step
9	532 14 50-05	Decal, Battery Dnge/Poi
10	532 41 86-00	Decal, Pedal

KEY NO.	PART NO.	DESCRIPTION
11	539 11 32-24	Decal, Warning
12	532 19 87-85	Decal, Deck Sch.
--	532 16 69-60	Decal, Bypass
--	532 43 96-81	Pad, Footrest, LH
--	532 43 96-82	Pad, Footrest, RH
--	532 44 56-28	Manual, Oper's (Eng./Span.)
--	532 44 56-30	Manual, Parts (Eng./Span.)

WHEELS AND TIRES



KEY NO.	PART NO.	DESCRIPTION
1	532 05 91-92	Cap Valve Tire
2	532 06 51-39	Stem Valve
3	532 14 45-09	Rim Front Service
4	532 00 81-34	Tube Front (Service Item Only)
5	532 10 62-30	Tire Front 16 x 6.5 Service
6	532 12 49-57	Fitting Grease (Front Wheel Only)
7	532 12 49-59	Bearing Flange (Front Wheel Only)
8	532 17 50-39	Cap Axle Blk 1 50 x 1 00
9	532 17 04-56	Tire R T 20 x 10-8 Service
10	532 12 49-26	Tube Rear (Service Item Only)
11	532 13 83-37	Rim Asm 8" Rear Service
--	532 14 43-34	Sealant, Tire (10 oz. Tube)

NOTE: All component dimensions given in U.S. inches
1 inch = 25.4 mm

TRACTOR MODELO NO. YTH24V42LS (96043012801), PRODUCTO NO. 960 43 01-28

DIAGRAMA

SCH12-s

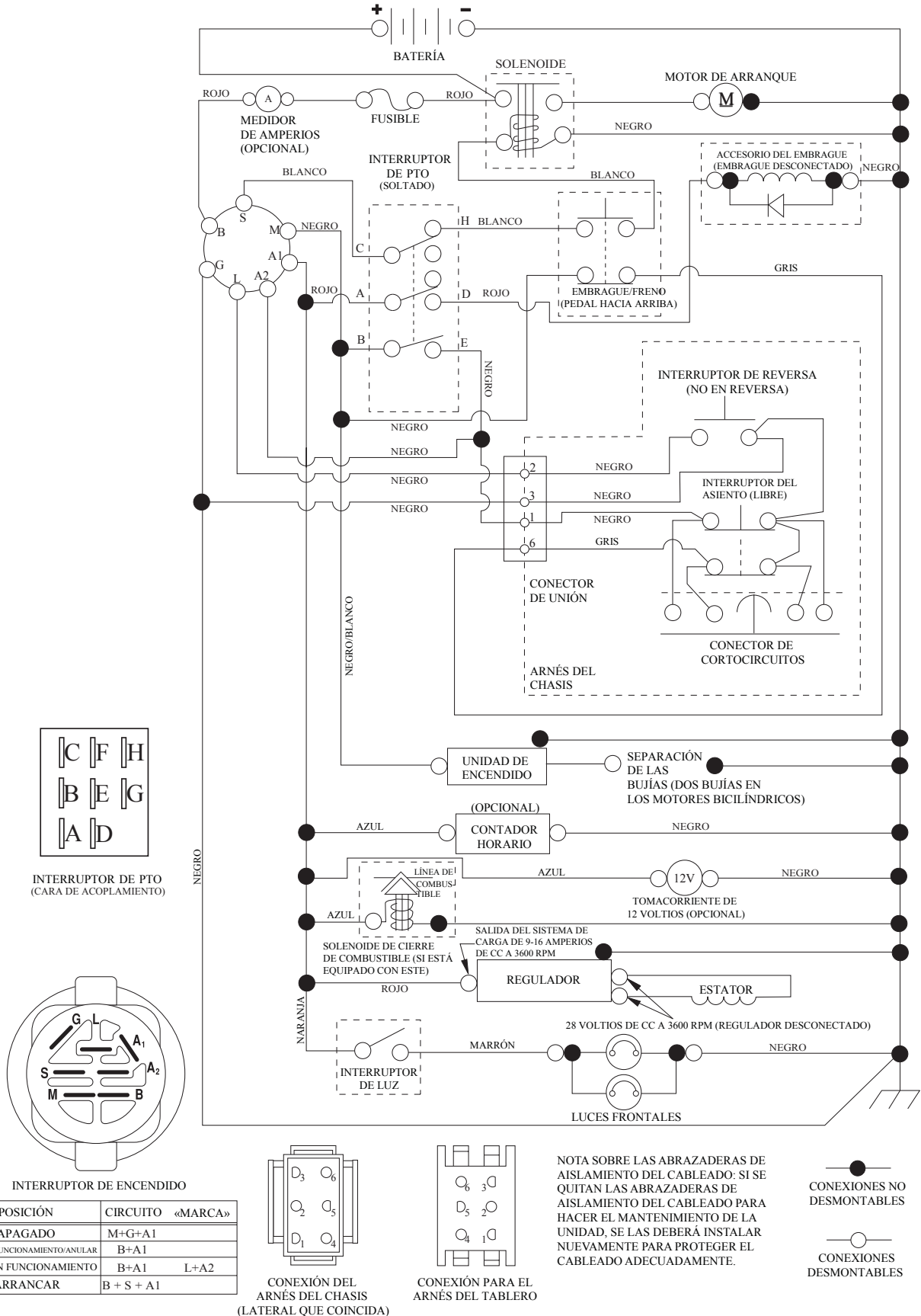
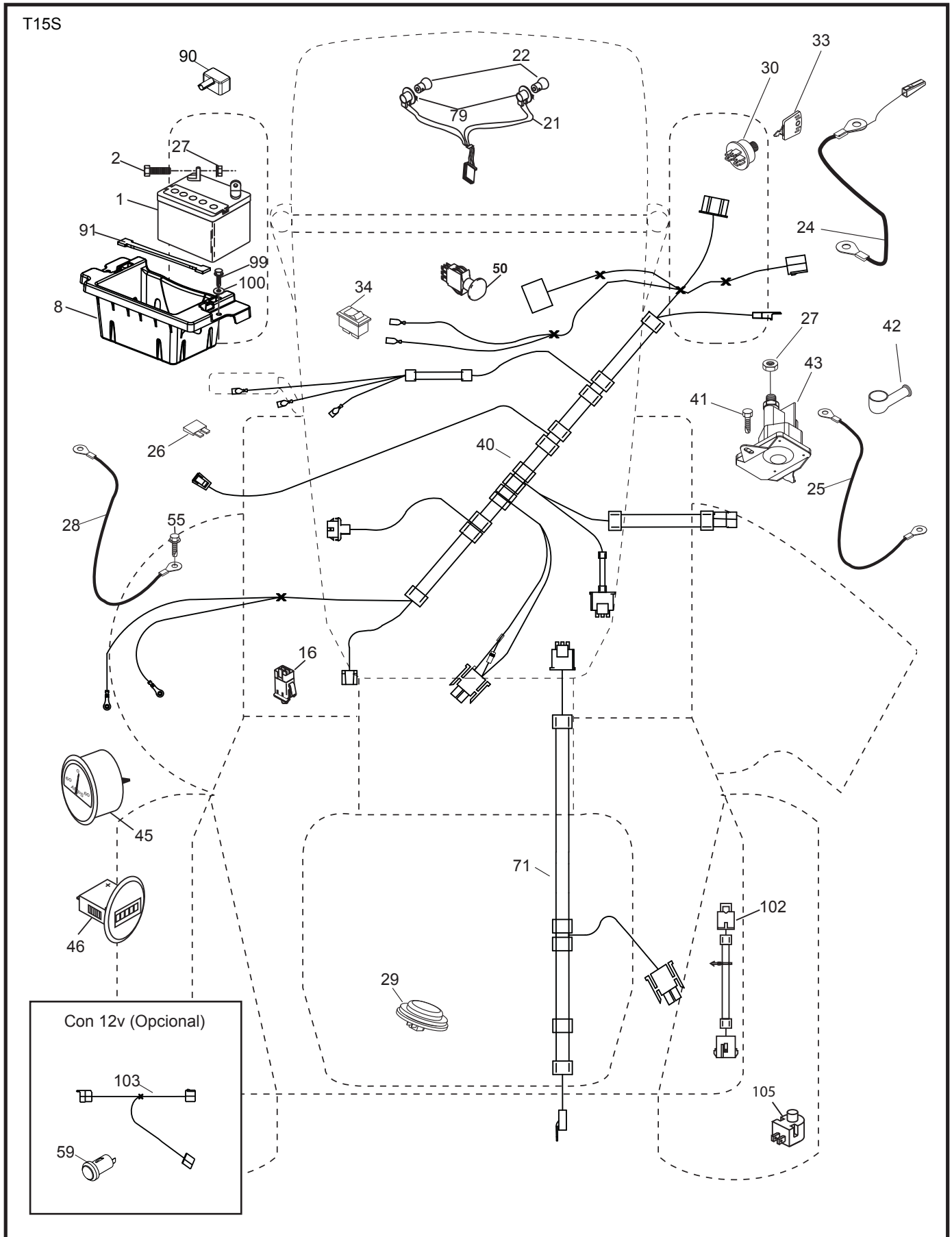


DIAGRAMA ELÉCTRICO

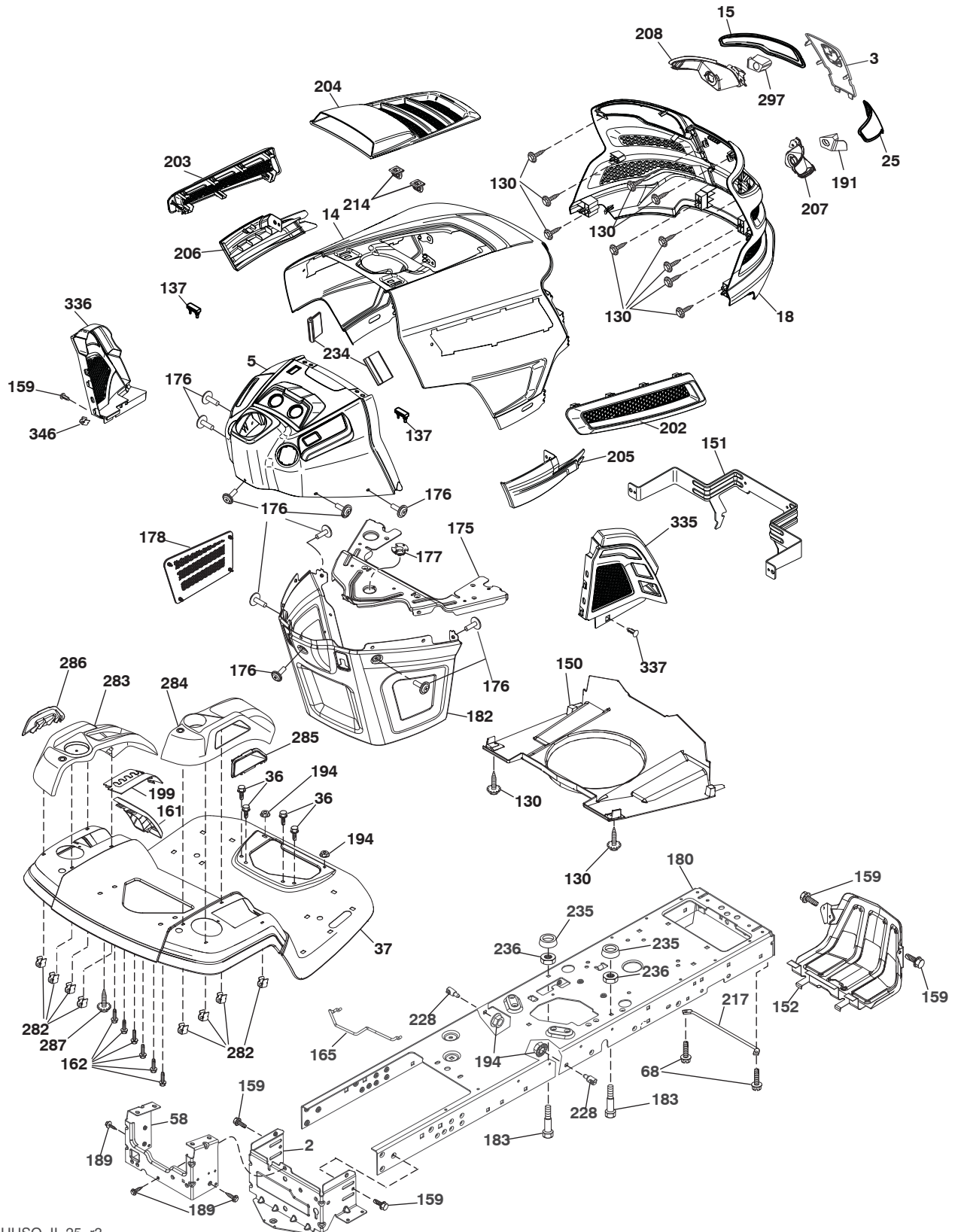


TRACTOR MODELO NO. YTH24V42LS (96043012801), PRODUCTO NO. 960 43 01-28
DIAGRAMA ELÉCTRICO

CÓDIGO NO.	PIEZA NO.	DESCRIPCIÓN
1	532 16 34-65	Batería
2	874 76 04-12	Perno de cabeza hexagonal de 1/4-20 x 3/4
8	532 41 41-26	Caja de la batería
16	532 17 61-38	Interruptor corta corriente a presión
21	532 40 02-52	Cableado del enchufe para la luz
22	532 00 41-52	Bombilla de luz
24	532 40 02-53	Cable
25	532 41 28-95	Cable
26	532 17 51-58	Fusible
27	873 51 04-00	Tuerca hexagonal Keps de 1/4-20 unc
28	532 14 54-91	Cable a tierra
29	532 40 15-45	Interruptor del asiento
30	532 19 33-50	Interruptor de encendido
33	532 41 19-33	Llave/cadena
34	532 11 07-12	Interruptor de luz/de restauración
40	532 40 21-67	Cableado de encendido
41	817 72 04-08	Tornillo
42	532 13 15-63	Cubierta de la terminal
43	532 19 25-07	Solenoides
45	532 42 52-70	Indicador SRVCMNDR
46	532 42 52-71	Indicador HRMTR
50	532 17 46-51	Interruptor
55	817 06 05-12	Tornillo de 5/16-18 x 3/4
59	532 40 03-03	Enchufe, 12V
71	532 19 42-76	Cableado de encendido, chasis
79	532 17 52-42	Enchufe de cierre por torsión del ensamble de la bombilla
90	532 43 53-95	Tapa de los bornes de la batería
91	532 19 02-70	Correa de la batería
99	817 67 04-12	Tornillo 1/4-20 x 3/4
100	819 09 14-16	Arandela
102	532 40 44-54	Cable
103	532 42 17-47	Cable 12V
105	532 40 75-68	Interruptor Reverso

NOTA: Las dimensiones de todos los componentes están expresadas en pulgadas americanas. 1 pulgada = 25,4 mm

TRACTOR MODELO NO. YTH24V42LS (96043012801), PRODUCTO NO. 960 43 01-28
CHASIS



chassis-tex_GT HUSQ_II_25_r3

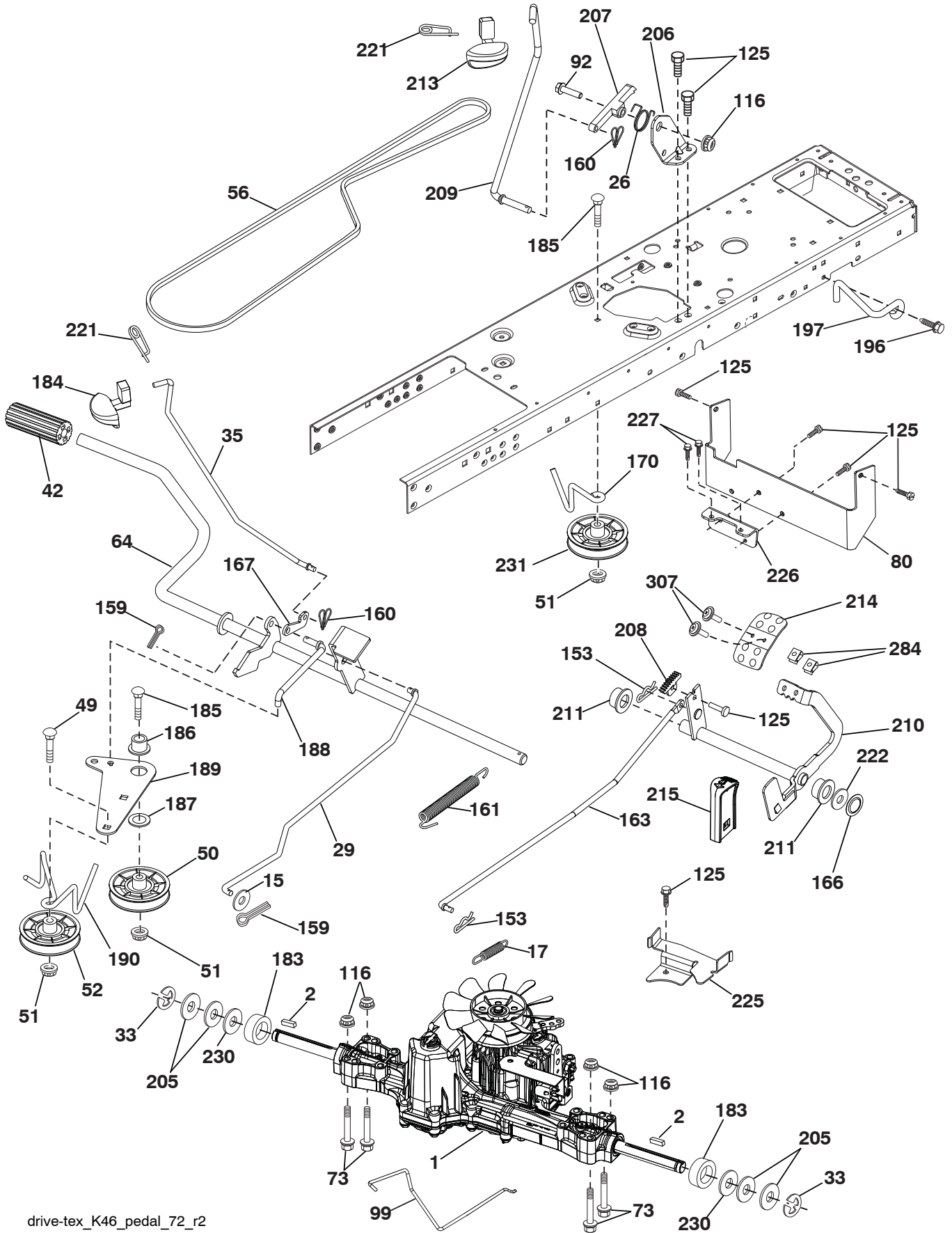
**TRACTOR MODELO NO. YTH24V42LS (96043012801), PRODUCTO NO. 960 43 01-28
CHASIS**

CÓDIGO PIEZA		
NO.	NO.	DESCRIPCIÓN
2	532 41 22-82	Barra de tracción
3	532 43 97-52	Aplica
5	532 43 74-70	Tablero
14	532 44 11-77	Capota
15	532 43 97-33	Lente izquierdo de la parrilla
18	532 43 77-62	Parrilla
25	532 44 33-85	Lente derecho de la parrilla
36	817 06 05-12	Tornillo de 5/16-18 x 3/4
37	532 44 11-78	Guardabarros
58	532 41 22-80	Soporte de Guardabarros
68	817 49 05-08	Tornillo de 5/16-18 x 1/2
130	532 41 63-58	Tornillo No. 10 x 0,75
137	532 40 75-90	Cubierta Tablero
150	532 43 97-74	Cubierta
151	532 43 66-70	Soporte de Capota
152	532 43 60-86	Protector contra oscurecimiento
159	817 00 06-12	Tornillo 3/8-16 x 3/4
161	532 43 97-81	Ventanilla de combustible
162	532 14 24-32	Tornillo
165	532 19 43-30	Soporte de Tanque de Gasolina
175	532 19 63-04	Travesaño
176	532 40 07-76	Tornillo de 10-24 x 5/8
177	532 19 52-27	Buje de dirección
178	532 19 97-82	Red de cargo
180	532 19 42-60	Chasis
182	532 40 68-59	Tablero inferior
183	874 52 05-20	Perno 5/16-18 x 1-1/4
189	817 00 05-12	Tornillo
191	532 43 74-55	Parte movable reflexivo (LD)
194	873 90 05-00	Tuerca de presión de 5/16-18

CÓDIGO PIEZA		
NO.	NO.	DESCRIPCIÓN
199	532 41 34-85	Chapa
202	532 43 97-28	Salida de Ventilación (LD)
203	532 43 97-27	Salida de Ventilación (LI)
204	532 43 57-14	Salida de Ventilación superior
205	532 43 97-30	Camisa (LD)
206	532 43 97-29	Camisa (LI)
207	532 43 97-34	Bisel derecho
208	532 43 97-35	Bisel izquierdo
214	532 19 91-45	Cierre
217	532 40 91-67	Varilla giratoria
228	532 19 51-61	Sujetador del travesaño
234	532 40 47-42	Cubierta Capota
235	532 40 61-29	Separador del guardabarros
236	873 93 05-00	Tuerca de presión 5/16-18 unc
282	532 41 41-10	Pinzas de retención
283	532 43 98-61	Consola de la plataforma de elevación
284	532 43 98-23	Consola cambio
285	532 41 63-15	Consola inserto (LD)
286	532 41 63-17	Consola inserto (LI)
287	817 60 04-06	Tornillo 1/4-20 X 3/8
297	532 43 74-56	Parte movable reflexivo (LI)
335	532 43 98-47	Cubierta de Fermeture (LD)
336	532 44 53-09	Cubierta de Fermeture (LI)
337	532 43 81-37	Cierre
346	532 12 64-71	Sujetador aislado
--	532 42 49-18	Protector del cepillo

NOTA: Las dimensiones de todos los componentes están expresadas en pulgadas americanas. 1 pulgada = 25,4 mm

TRACTOR MODELO NO. YTH24V42LS (96043012801), PRODUCTO NO. 960 43 01-28
 TRANSMISIÓN



drive-tex_K46_pedal_72_r2

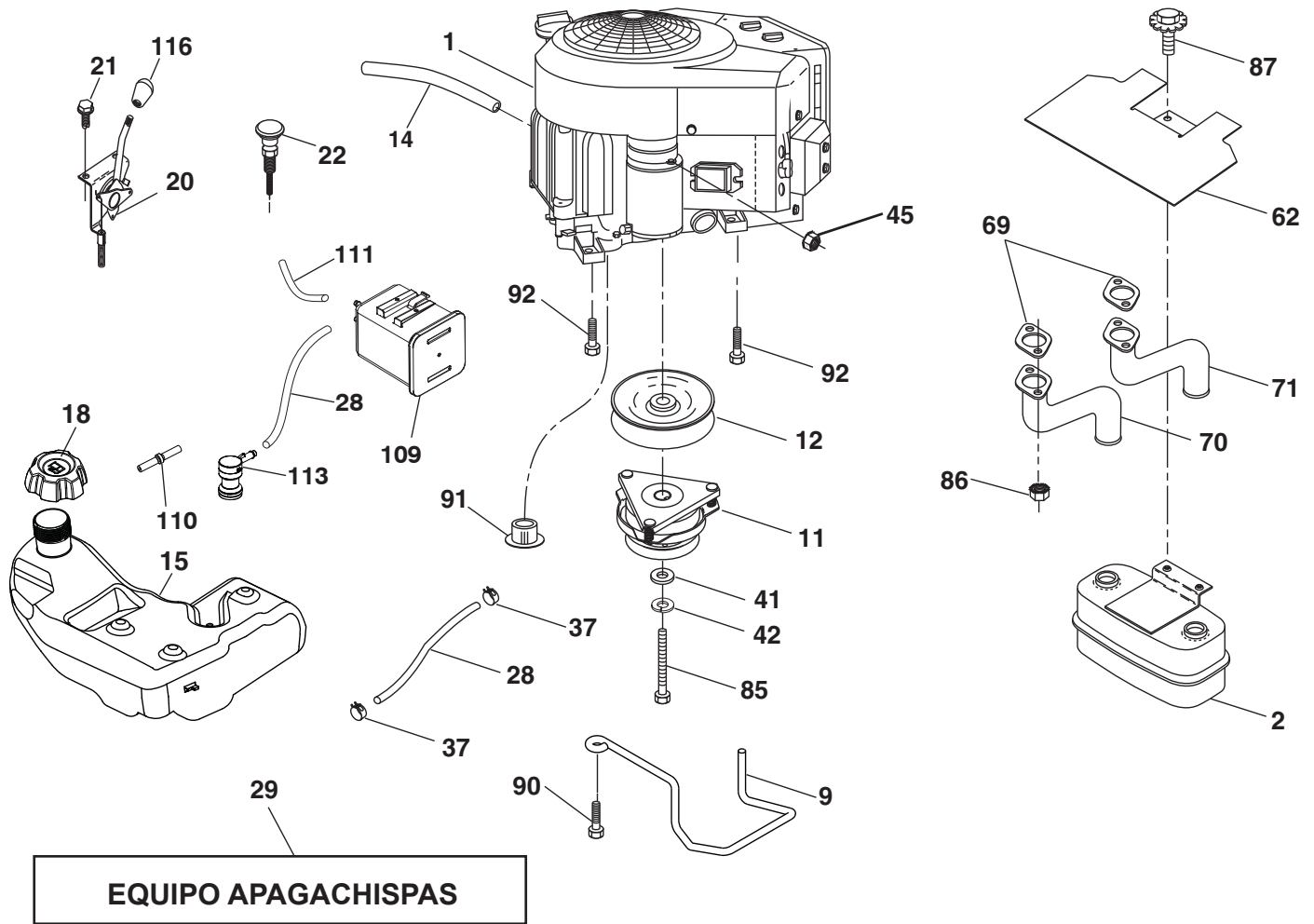
TRACTOR MODELO NO. YTH24V42LS (96043012801), PRODUCTO NO. 960 43 01-28

TRANSMISIÓN

CÓDIGO NO.	PIEZA NO.	DESCRIPCIÓN	CÓDIGO NO.	PIEZA NO.	DESCRIPCIÓN
1	---	Transeje, TUFFTORQ K46 CR (426121)(Haga el pedido de las piezas al fabricante del transeje.)	187	819 13 32-10	Arandela
2	532 12 35-83	Llave	188	532 19 43-23	Mecanismo de desplazamiento de la varilla de mando del embrague
15	819 13 13-16	Arandela 13/32 x 13/16 x calibre 16	189	532 19 43-17	Palanca acodada del mecanismo de desplazamiento
17	532 41 36-78	Resorte de freno	190	532 19 43-18	Sujetador de la palanca acodada del mecanismo de desplazamiento
26	532 19 96-79	Resorte de travesía	196	817 00 06-16	Tornillo 3/8-16 x 1
29	532 40 38-06	Varilla del freno	197	532 19 58-04	Mecanismo de desplazamiento
33	812 00 00-01	Aro "E"	205	532 12 17-48	Tuerca
35	532 43 54-86	Varilla del freno de mano	206	532 19 78-67	Soporte de la travesía
42	532 12 48-72	Cubierta del pedal	207	532 19 78-68	Cierre del control de travesía
49	872 11 06-14	Perno	208	532 19 78-69	Travesía del control del sector
50	532 19 43-27	Polea loca plana	209	532 19 95-92	Travesía del control de Rod
51	873 90 06-00	Tuerca de presión de 3/8-16	210	532 40 09-80	Asm del eje de balancín. Control del pedal
52	532 19 43-26	Polea loca con ranura en V con un desplazamiento	211	532 12 01-83	Buje
56	532 13 09-69	Correa trapezoidal de la transmisión	213	532 40 31-19	Travesía del control de la perilla
64	532 19 78-65	Ensamble del eje Control del pedal de freno	214	532 41 68-63	Pedal adelante
73	874 49 05-40	Perno 5/16-18	215	532 40 17-23	Revés del pedal
80	532 44 06-19	Correa de torsión	221	532 40 31-87	Abrazadera de retención del resorte de la manija
92	874 76 05-20	Tornillo 5/16-18 x 1/2	222	879 21 20-10	Tuerca 21/32 x 1-1/4 x calibre 10
99	532 41 57-42	Varilla de desviación	225	532 40 33-19	Sujetador de la correa transeje
116	873 90 05-00	Tuerca 5/16-18	226	532 40 15-64	Soporte
125	817 00 05-12	Tornillo 5/16-18 x 3/4	227	817 49 05-12	Tornillo 5/16-18 x 3/4
153	532 12 47-88	Retén del resorte	230	532 18 89-67	Tuerca
159	876 02 04-12	Pasador de chaveta de 1/8 x 3/4	231	532 40 72-87	Polea loca con ranura en V con un desplazamiento
160	532 16 94-84	Abrazadera de retención	284	532 41 76-93	Tuerca 1/4-20
161	532 10 57-09	Resorte de retorno del embrague	307	874 18 04-12	Tornillo 1/4-20 x 3/4
163	532 40 10-34	Control del pedal de la barra			
166	532 42 91-64	Tuerca			
167	532 40 52-57	Pestillo del freno de mano			
170	532 41 34-30	Sujetador de la correa central			
183	532 13 70-57	Separador			
184	532 44 14-55	Manija del freno de mano			
185	872 11 06-22	Tornillo 3/8-16 x 2-3/4 G5			
186	532 19 43-21	Espaciador de retención			

NOTA: Las dimensiones de todos los componentes están expresadas en pulgadas americanas. 1 pulgada = 25,4 mm

TRACTOR MODELO NO. YTH24V42LS (96043012801), PRODUCTO NO. 960 43 01-28
MOTOR



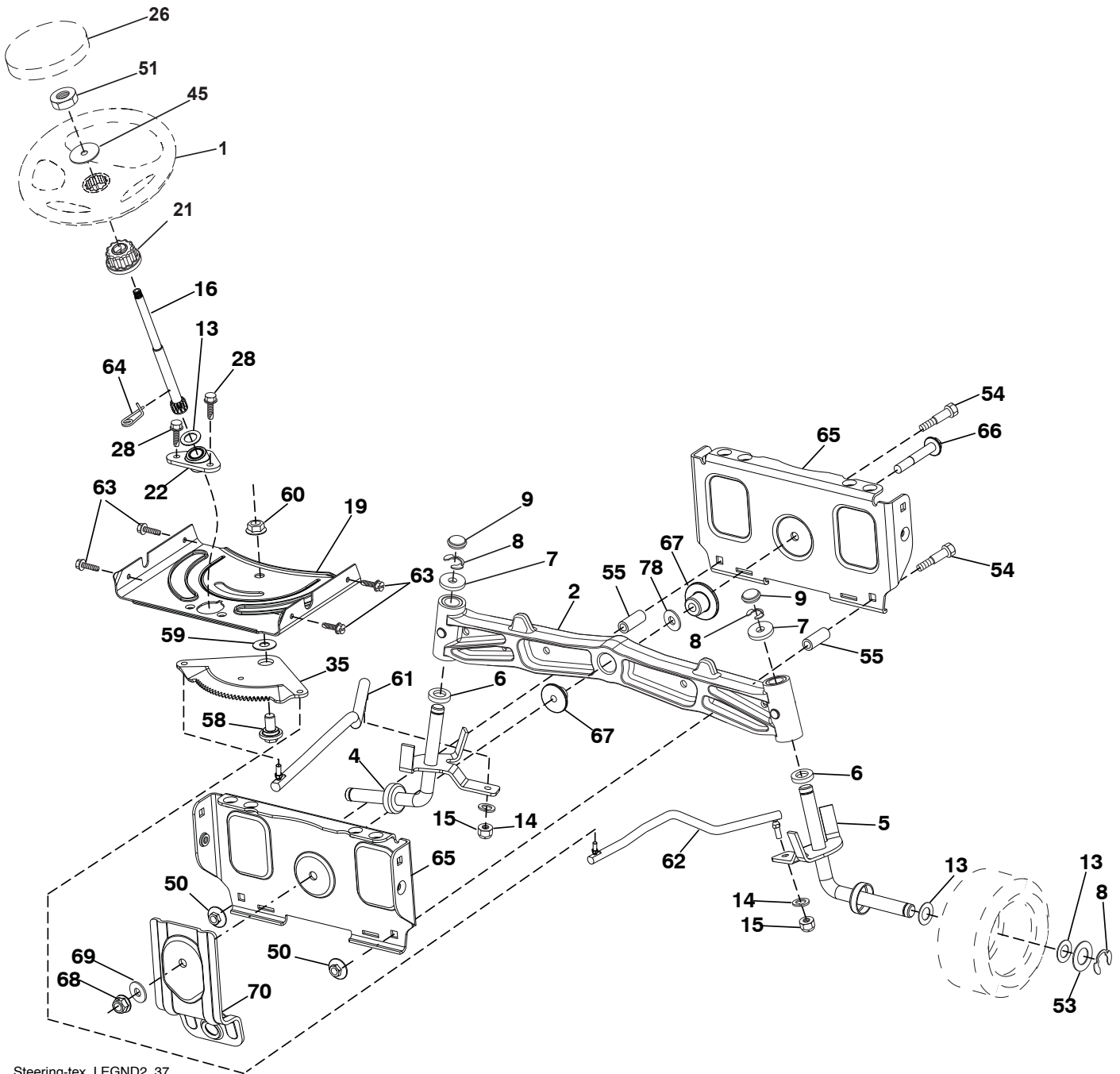
engine-tex_Kawa-2cyl_6_r1

TRACTOR MODELO NO. YTH24V42LS (96043012801), PRODUCTO NO. 960 43 01-28
MOTOR

CÓDIGO NO.	PIEZA NO.	DESCRIPCIÓN
1	— — — — —	Motor KAWA modelo No. FR730V-AS12-R (445364) (Haga el pedido de las piezas al fabricante del motor.)
2	532 14 97-23	Silenciador
9	532 19 43-20	Ensamble del sujetador de la correa del motor
11	532 40 00-08	Embrague de eléctrico
12	532 40 50-97	Polea del motor
14	532 14 84-56	Tubo de dren del aceite
15	532 41 41-51	Tanque de Gasolina de 4,0R
18	532 43 92-08	Tapa
20	532 42 43-41	Control del regulador
21	532 41 63-58	Tornillo No. 10 x 0,75 con rosca reforzada
22	532 19 15-96	Control de la estrangulación del motor
28	532 40 11-35	Línea de combustible
29	532 13 71-80	Equipo apagachispas
37	532 12 34-87	Abrazadera de la manguera
41	532 12 61-97	Arandela 1-1/2 x 15/32 x .250
42	810 04 07-00	Arandela de presión de 7/16
45	873 51 04-00	Tuerca
62	532 43 40-17	Silenciador con pantalla térmica
69	532 17 81-51	Junta
70	532 42 47-65	Tubo de escape izquierdo
71	532 42 47-66	Tubo de escape derecho
85	532 17 39-37	Perno de 7/16-20 x 3.75 grado 5
86	532 18 43-62	Tuerca
87	537 17 18-77	Perno de 5/16-18 unc x 1
90	817 00 06-16	Tornillo de 3/8-16 x 1
91	532 18 74-95	Buje
92	817 12 06-16	Tornillo 3/8-16 x 1
109	532 41 41-14	Bote
110	532 41 41-18	Válvula
111	532 41 41-19	Línea de purge
113	532 41 41-27	Válvula
116	539 13 26-24	Tacto suave de la perilla

NOTA: Las dimensiones de todos los componentes están expresadas en pulgadas americanas. 1 pulgada = 25,4 mm
 Para las piezas del servicio y de recambio del motor, llame el número gratis para su fabricante del motor enumerado abajo:
 Kawasaki 1-949-460-5688

TRACTOR MODELO NO. YTH24V42LS (96043012801), PRODUCTO NO. 960 43 01-28
ENSAMBLE DE LA DIRECCIÓN



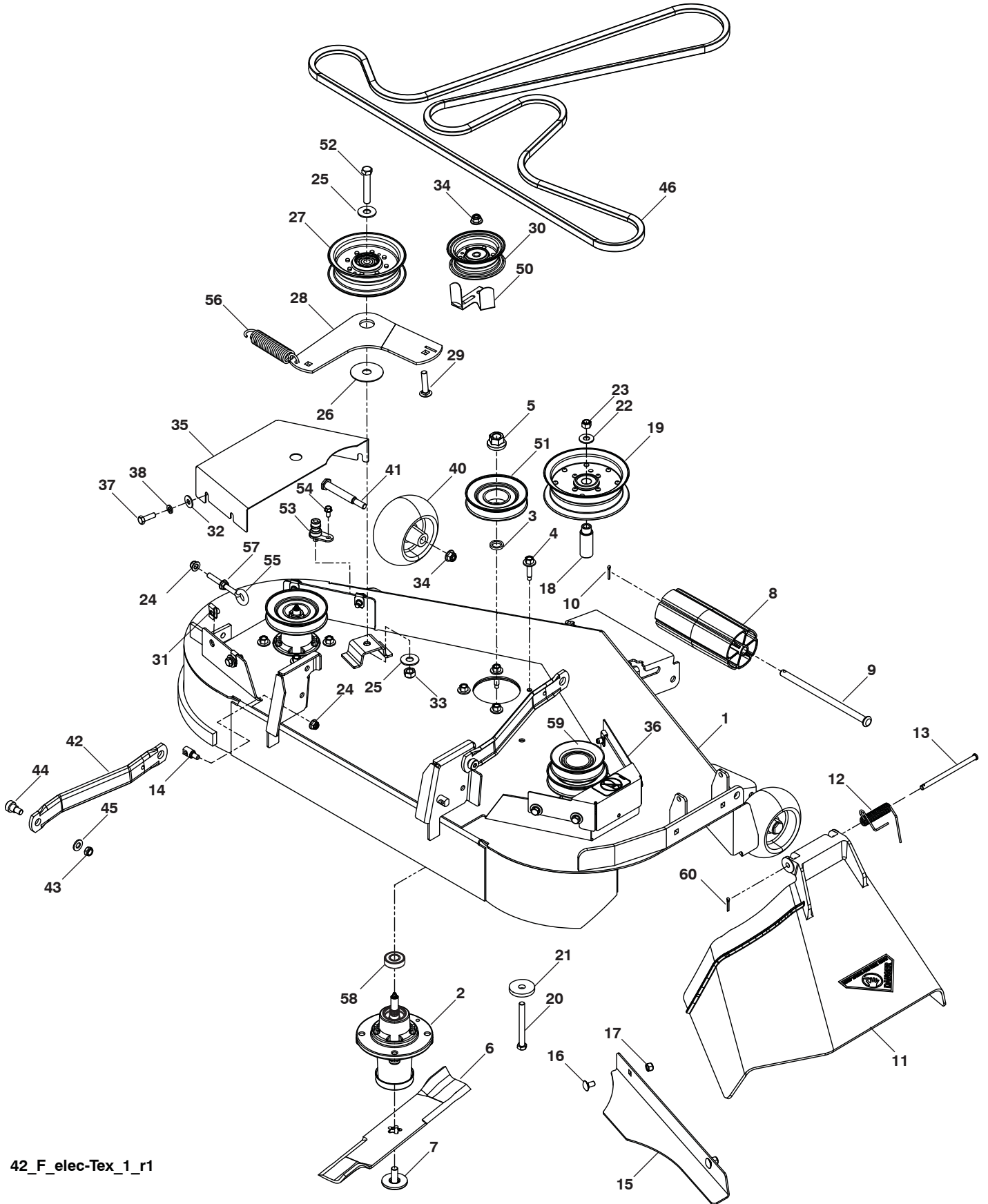
Steering-tex_LEGND2_37

TRACTOR MODELO NO. YTH24V42LS (96043012801), PRODUCTO NO. 960 43 01-28
ENSAMBLE DE LA DIRECCIÓN

CÓDIGO PIEZA		DESCRIPCIÓN
NO.	NO.	
1	532 43 97-40	Volante de dirección
2	532 19 59-68	Ensamble del eje delantero
4	532 40 30-89	Ensamble del husillo izquierdo
5	532 40 30-90	Ensamble del husillo derecho
6	532 12 49-31	Pista del rodamiento para reforzar el impulso
7	532 12 17-48	Arandela de 25/32 x 1-5/8 calibre 16
8	812 00 00-29	Abrazadera del aro No. T5304-75
9	532 12 12-32	Tapa del husillo
13	532 12 17-49	Arandela de 25/32 x 1-1/4 calibre 16
14	810 04 06-00	Arandela de presión de 3/8
15	873 54 06-00	Tuerca de 3/8-24 unf
16	532 40 82-19	Eje de dirección
19	532 19 47-29	Placa de dirección
21	532 18 67-37	Adaptador del volante de dirección
22	532 42 05-37	Dirección apoyo inferior
26	532 43 97-43	Inserto del volante de dirección
28	817 00 06-12	Tornillo de 3/8-16 x 3/4
35	532 19 47-32	Engranaje del sector de la placa
45	819 18 38-12	Arandela de 9/16 ID x 2-3/8 x calibre 12
50	873 90 06-00	Tuerca 3/8-16 unc
51	873 94 08-00	Contratuerca hexagonal de seguridad de 1/2-20 unf
53	532 18 89-67	Arandela reforzada de 793 x 1637 x 0,060
54	874 76 06-36	Tornillo 3/8-16 unc x 2-1/4
55	532 41 47-36	Tornillo 3/8-16 unc x 2-1/4
58	532 19 47-47	Perno de tope del sector del pivote CFM
59	532 19 47-48	Arandela de empuje del sector de dirección
60	873 97 10-00	Tuerca de 5/8-11
61	532 19 47-40	Barra de acoplamiento izquierda
62	532 19 47-41	Barra de acoplamiento derecha
63	817 00 05-12	Tornillo de 5/16-18 x 3/4
64	532 19 98-49	Abrazadera de retención del resorte de la dirección
65	532 19 47-34	Apoyo del árbol delantero
66	871 02 07-48	Perno de cabeza hexagonal con brida acanalada de 7/16-14 x 3
67	532 19 47-37	Buje PM del eje delantero
68	873 90 07-00	Tuerca de 7/16-14 grado 5
69	532 19 91-62	Arandela de 1,5 x 0,505 x 0,118
70	532 19 61-97	Soporte de la plataforma delantera
78	532 05 70-79	Tuerca

NOTA: Las dimensiones de todos los componentes están expresadas en pulgadas americanas. 1 pulgada = 25,4 mm

TRACTOR MODELO NO. YTH24V42LS (96043012801), PRODUCTO NO. 960 43 01-28
PLATAFORMA DE LA CORTADORA DE CÉSPED



42_F_elec-Tex_1_r1

**TRACTOR MODELO NO. YTH24V42LS (96043012801), PRODUCTO NO. 960 43 01-28
PLATAFORMA DE LA CORTADORA DE CÉSPED**

CÓDIGO PIEZA

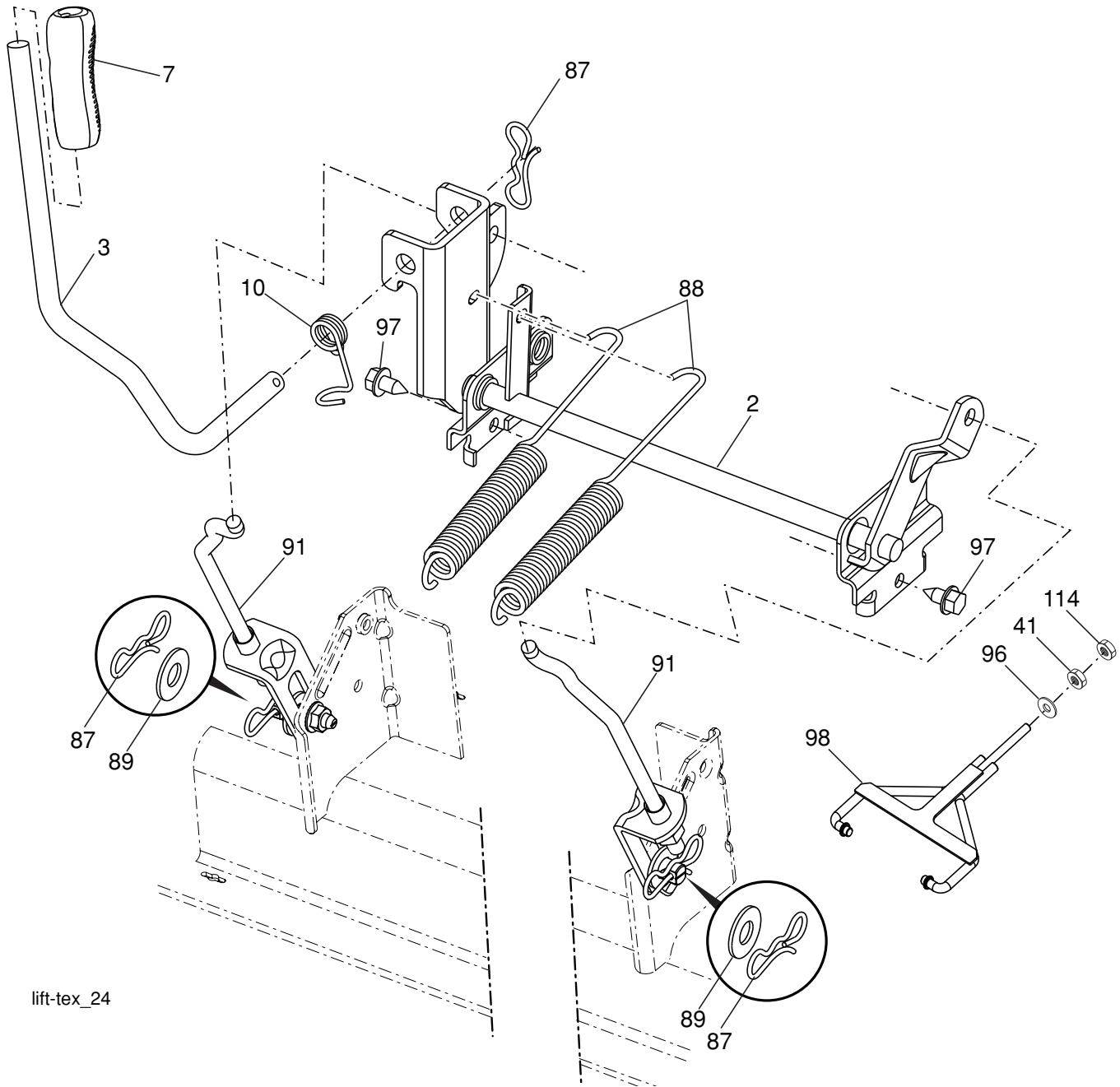
NO.	NO.	DESCRIPCIÓN
1	532 44 53-56	Cubierta con las etiquetas 42"
2	539 11 21-70	Ensamble de la cubierta
3	532 18 76-90	Arandela
4	539 10 76-30	Tornillo
5	532 40 02-34	Tuerca 9/16
6	539 11 20-78	Cuchilla, 14-5/8"
7	539 19 30-03	Perno, 7/16
8	532 17 60-66	Rodillo delantero
9	532 17 91-27	Soporte, Rodillo delantero
10	539 19 42-08	Detenedor del clip
11	532 11 07-31	Canal inclinado de la descarga - 42"
12	532 11 07-35	Resorte - torsión
13	532 11 07-36	Clavija de horquilla 5/16 x 5.19
14	532 19 51-61	Espárrago
15	539 11 24-13	Placa
16	539 99 07-99	Rhsnb 5/16-18 x 5/8 grado 5
17	539 99 07-17	Tuerca 5/16-18
18	575 22 45-01	Buje más ocioso
19	539 13 27-28	Polea
20	539 10 82-71	Hcs 3/8-16 x 3-1/2 grado 5
21	539 10 65-04	Arandela
22	539 99 05-17	Arandela, 3/8
23	539 97 69-79	Tuerca 3/8-16
24	539 11 28-99	Tuerca 5/16-18
25	539 10 48-64	Arandela, 7/16
26	532 17 85-15	Arandela
27	532 19 61-04	Polea más ociosa
28	574 82 71-02	Brazo de la polea
29	539 99 09-23	Rhsnb 3/8-16 x 1-3/4 grado 5
30	532 17 79-68	Polea más ociosa
31	539 10 47-63	Detenedor 5/16
32	539 99 06-92	Arandela, 5/16

CÓDIGO PIEZA

NO.	NO.	DESCRIPCIÓN
33	539 13 20-19	Tuerca, 7/16-14
34	521 99 65-01	Tuerca 3/8-16
35	575 22 47-02	Protector de la correa (LI)
36	575 50 03-02	Protector de la correa (LD)
37	539 99 02-09	Hcs 5/16-18 x 1 grado 5
38	539 99 01-87	Arandela 5/16
40	539 10 76-10	Rueda, calibrador
41	532 19 34-06	Perno
42	532 19 51-85	Suspensión posterior del brazo
43	539 20 02-82	Tuerca, 3/8-16
44	539 11 36-21	Sb 3/8-16 x 3/8 Skt Hd
45	539 99 01-22	Arandela, 3/8
46	574 84 56-01	Correa, 42"
50	575 22 43-01	Protector, correa
51	575 22 44-01	Polea más ociosa
52	539 10 48-70	Hcs 7/16-14 x 2-1/2 grado 5
53	532 41 55-98	Puerto De Lavado De La Cubierta
54	539 10 84-61	Perno, 1/4-20 x 1/2
55	539 11 55-74	Perno de argolla 5/16 x 3-1/2
56	539 10 68-50	Resorte
57	539 99 05-85	Tuerca 5/16-18
58	539 11 20-50	Rodamiento de bolitas
59	575 41 62-01	Polea
60	532 16 94-84	Detenedor del clip
--	532 44 53-57	Cubierta del cortacéspedes completa

NOTA: Las dimensiones de todos los componentes están expresadas en pulgadas americanas. 1 pulgada = 25,4 mm

TRACTOR MODELO NO. YTH24V42LS (96043012801), PRODUCTO NO. 960 43 01-28
ELEVACIÓN DE LA CORTADORA DE CÉSPED



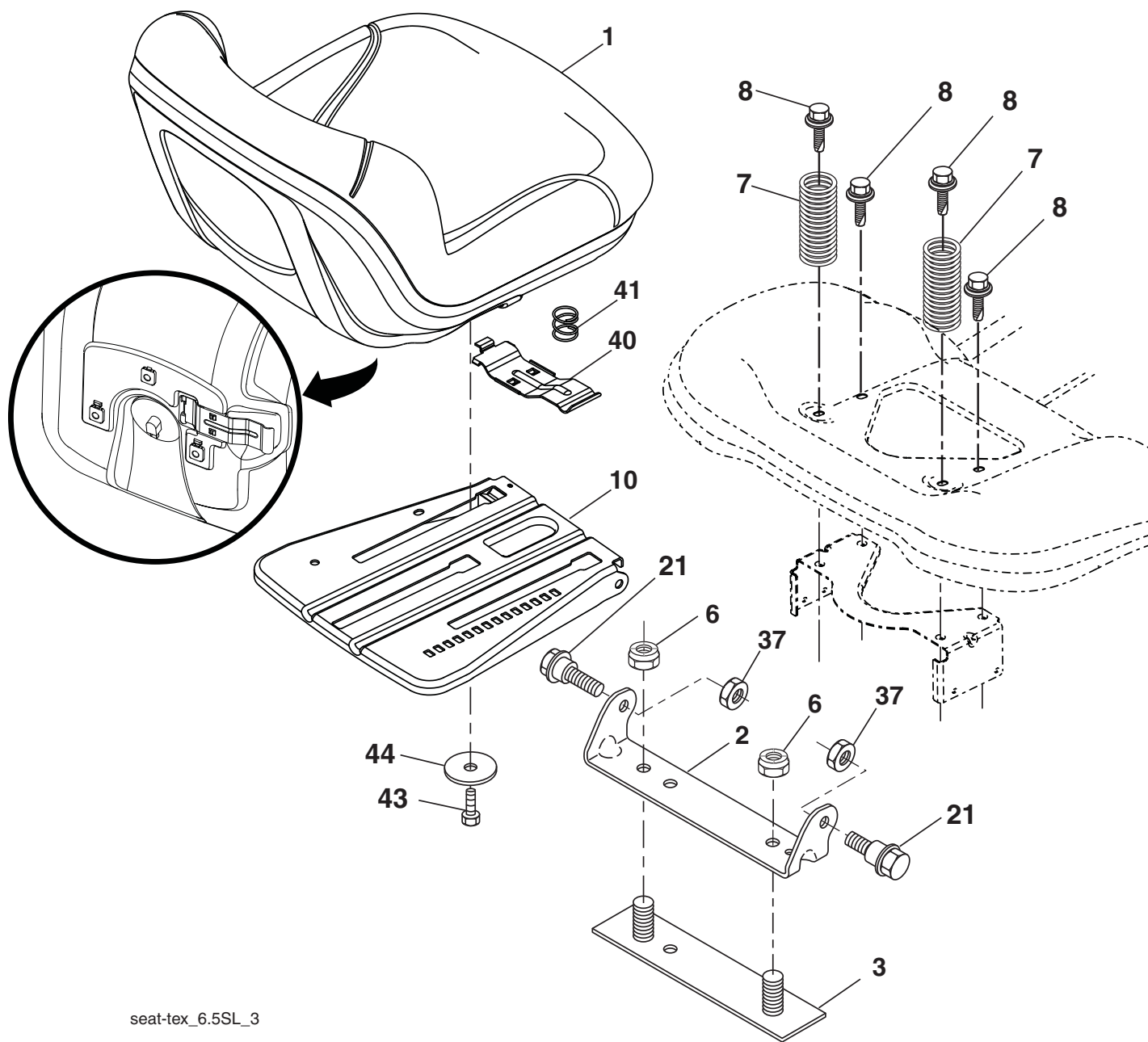
lift-tex_24

CÓDIGO NO.	PIEZA NO.	DESCRIPCIÓN
2	532 42 20-27	Ensamble del eje de la elevación
3	532 19 52-31	Ensamble de la palanca de elevación derecha
7	532 41 15-55	Mango de la palanca
10	532 19 63-14	Resorte de torsión
41	532 17 59-94	Tuerca
87	532 19 42-09	Pasador de chaveta de 7/16 con bloqueo en forma de mariposa
88	532 41 07-10	Resorte de ayuda de la elevación
89	819 19 19-12	Arandela de zinc transparente
91	532 40 34-07	Ensamble del acoplamiento Elevación trasera

CÓDIGO NO.	PIEZA NO.	DESCRIPCIÓN
96	532 19 52-63	Buje
97	817 00 06-12	Tornillo de 3/8-16 x 0,75
98	574 82 25-01	Acoplamiento frontal de la elevación de la cortadora de césped
114	873 36 07-00	Tuerca 7/16-20

NOTA: Las dimensiones de todos los componentes están expresadas en pulgadas americanas. 1 pulgada = 25,4 mm

**TRACTOR MODELO NO. YTH24V42LS (96043012801), PRODUCTO NO. 960 43 01-28
ENSAMBLE DEL ASIENTO**



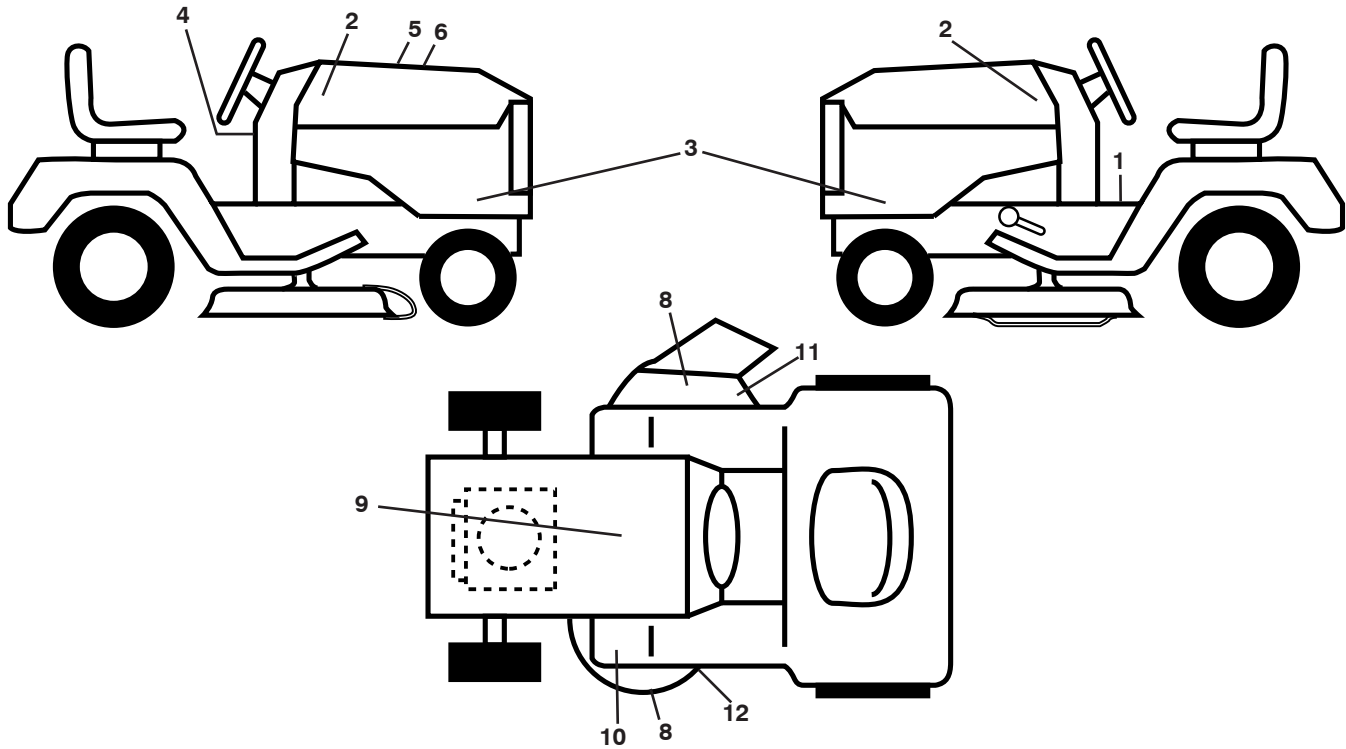
seat-tex_6.5SL_3

CÓDIGO NO.	PIEZA NO.	DESCRIPCIÓN
1	532 43 98-22	Asiento
2	532 18 01-66	Soporte pivotante del guardabarros
3	532 14 06-75	Conector del ensamble del guardabarros
6	873 80 06-00	Tuerca de presión c/aislamiento de 3/8-16 unc
7	532 12 41-81	Resorte del asiento
8	532 17 18-77	Perno de 5/16" unc x 3/4"
10	532 19 69-77	Bandeja del asiento
21	532 17 18-52	Perno de tope de 5/16-18
37	873 80 05-00	Tuerca de presión de 5/16-18 unc

CÓDIGO NO.	PIEZA NO.	DESCRIPCIÓN
40	532 19 76-61	Manija para deslizar el asiento
41	532 19 82-00	Resorte para trabar el asiento
43	874 76 06-12	Perno de cabeza hexagonal con aleta de 3/8-16 unc x 3/4
44	819 13 38-12	Arandela de 13/32 x 2-3/8 calibre 12

NOTA: Las dimensiones de todos los componentes están expresadas en pulgadas americanas. 1 pulgada = 25,4 mm

CALCOMANÍAS



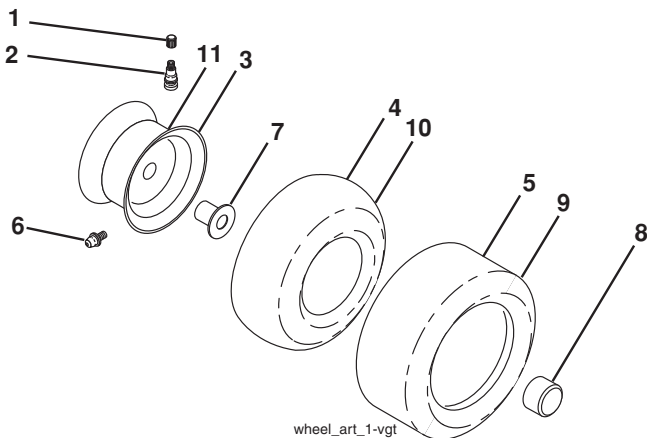
CÓDIGO PIEZA
NO. NO.

CÓDIGO NO.	PIEZA NO.	DESCRIPCIÓN
1	532 41 16-57	Calcomanía, Advertencia
2	532 42 91-96	Calcomanía para la capota, logo
3	532 44 04-26	Calcomanía para el panel lateral
4	532 42 41-02	Calcomanía, Advertencia Equipo apagachispas
5	532 42 38-29	Calcomanía, responsabilidades del cliente
6	532 44 02-34	Calcomanía, Reemplazo
8	539 10 57-43	Calcomanía, Ningul n paso
9	532 14 50-05	Calcomanía de Peligro/Punto de interconexión

CÓDIGO PIEZA
NO. NO.

CÓDIGO NO.	PIEZA NO.	DESCRIPCIÓN
10	532 41 86-00	Calcomanía, Pedal
11	539 11 32-24	Calcomanía, Advertencia
12	532 19 87-85	Calcomanía, segadora
--	532 16 69-60	Calcomanía para la desviación
--	532 43 96-82	Forro del apoyo para los pies izquierdo
--	532 43 96-81	Forro del apoyo para los pies derecho
--	532 44 56-28	Manual del operario(ESP./ING.)
--	532 44 56-30	Manual del repuestos (ESP./ING.)

WHEELS AND TIRES



CÓDIGO PIEZA
NO. NO.

CÓDIGO NO.	PIEZA NO.	DESCRIPCIÓN
1	532 05 91-92	Tapa de la válvula del neumático
2	532 06 51-39	Vástago de la válvula
3	532 14 45-09	Ensamble de las llantas delanteras
4	532 00 81-34	Cámara delantera
5	532 10 62-30	Neumático delantero
6	532 12 49-57	Accesorio para engrasar (solo para la rueda delantera)
7	532 12 49-59	Rodamiento de la brida (solo para la rueda delantera)
8	532 17 50-39	Tapa del eje (solo para la rueda delantera)
9	532 17 04-56	Neumático trasero
10	532 12 49-26	Cámara trasera (Mantenimiento sólo)
11	532 13 83-37	Ensamble trasero de la llanta
--	532 14 43-34	Sellador para neumáticos (tubo de 10 onzas [283 gr])

NOTA: Las dimensiones de todos los componentes están expresadas en pulgadas americanas. 1 pulgada = 25,4 mm

NOTES/AVISO

08/30/2011 BD