

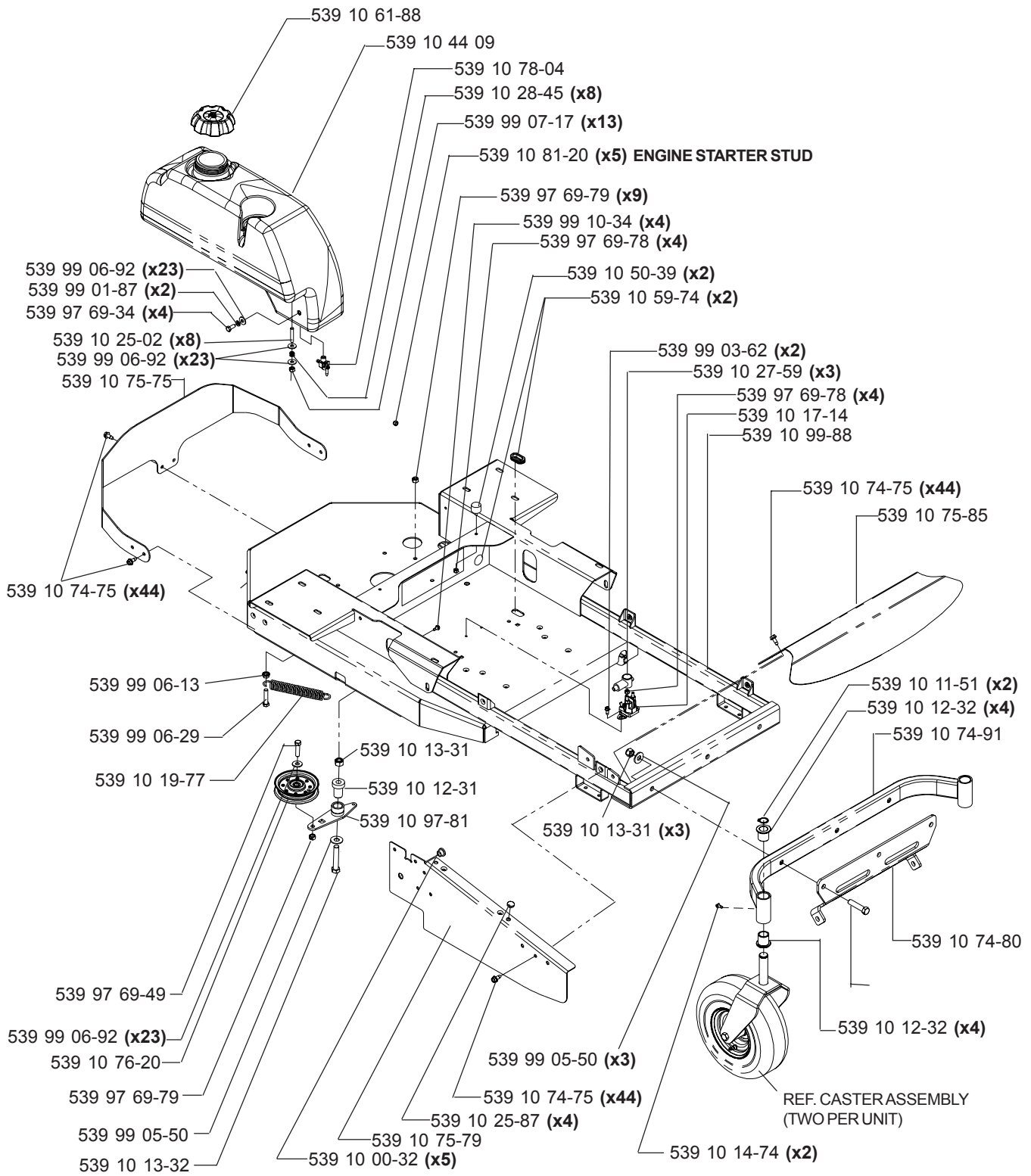
Parts manual
Z4818BIA/968999250

Please read the operator's manual carefully and make sure you understand the instructions before using the machine.

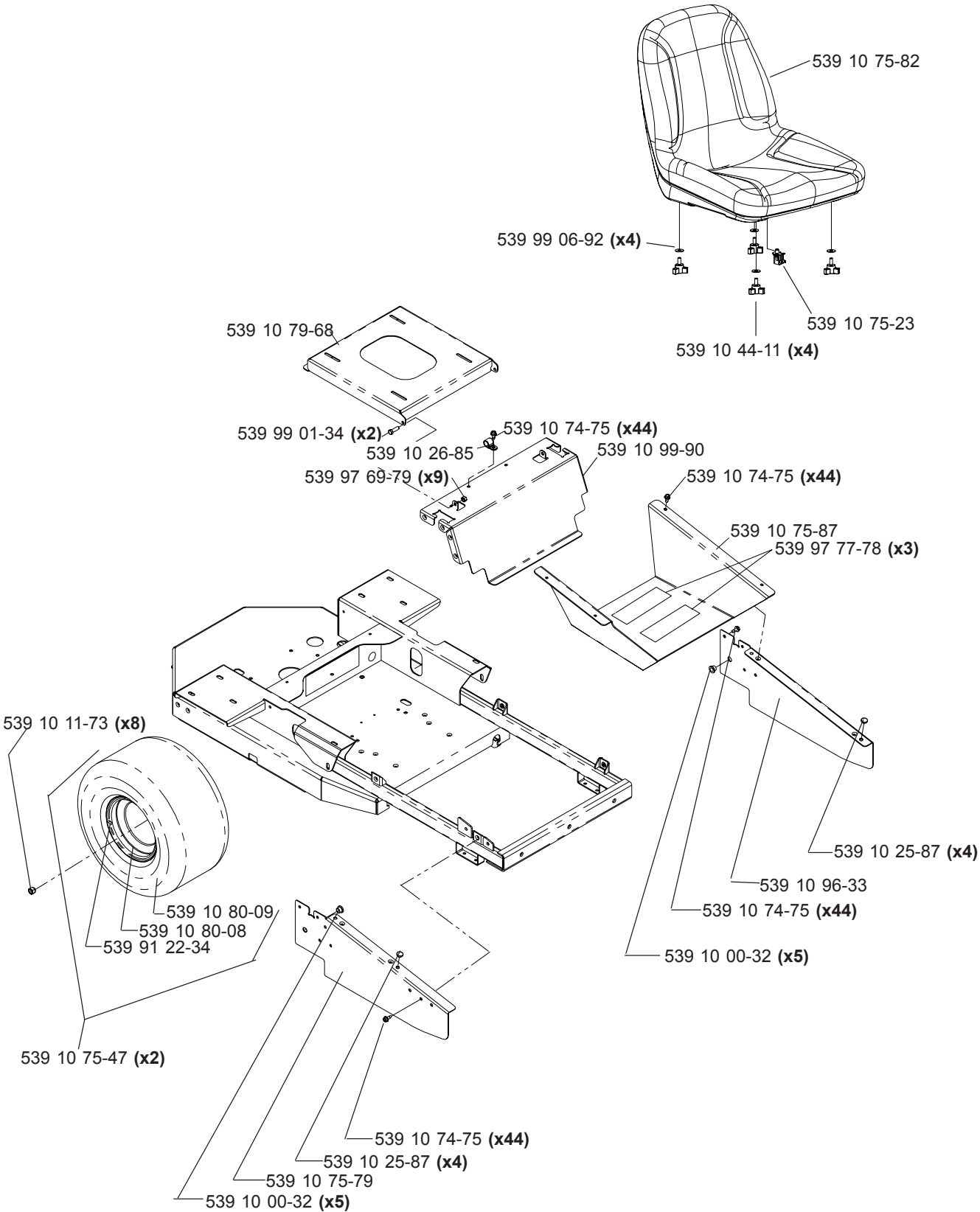


English

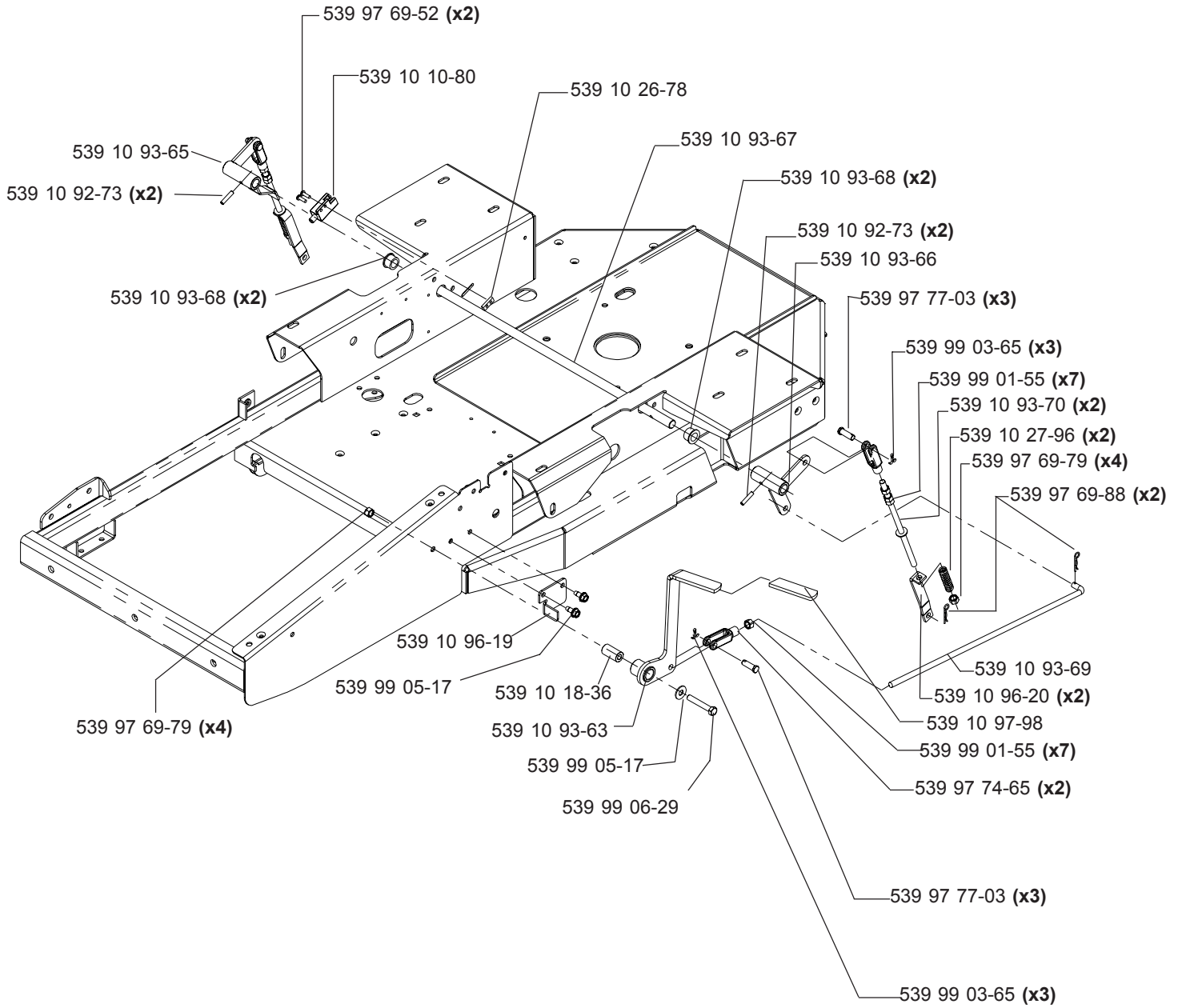
MAIN FRAME ASSEMBLY



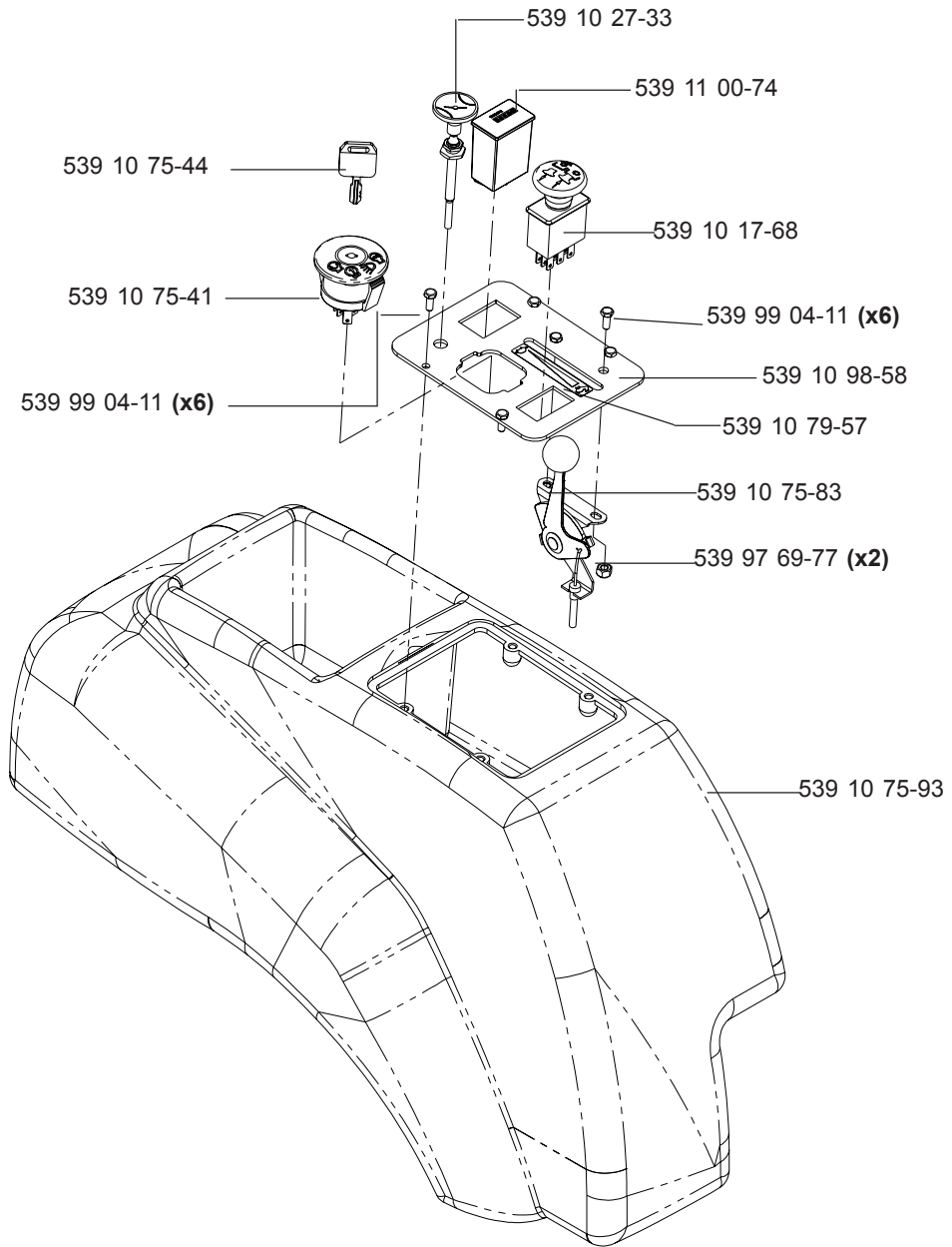
MAIN FRAME ASSEMBLY



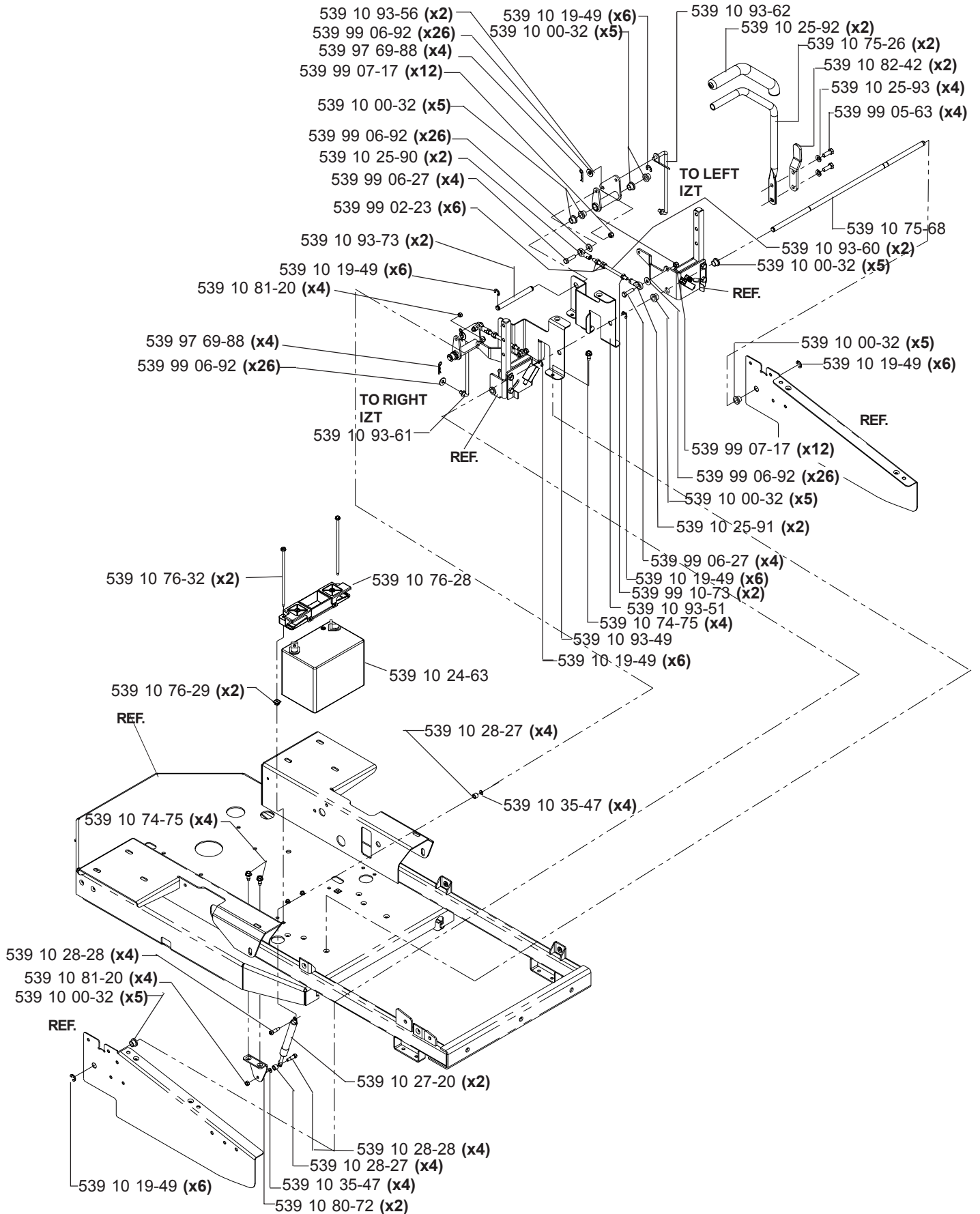
BRAKE LINKAGE



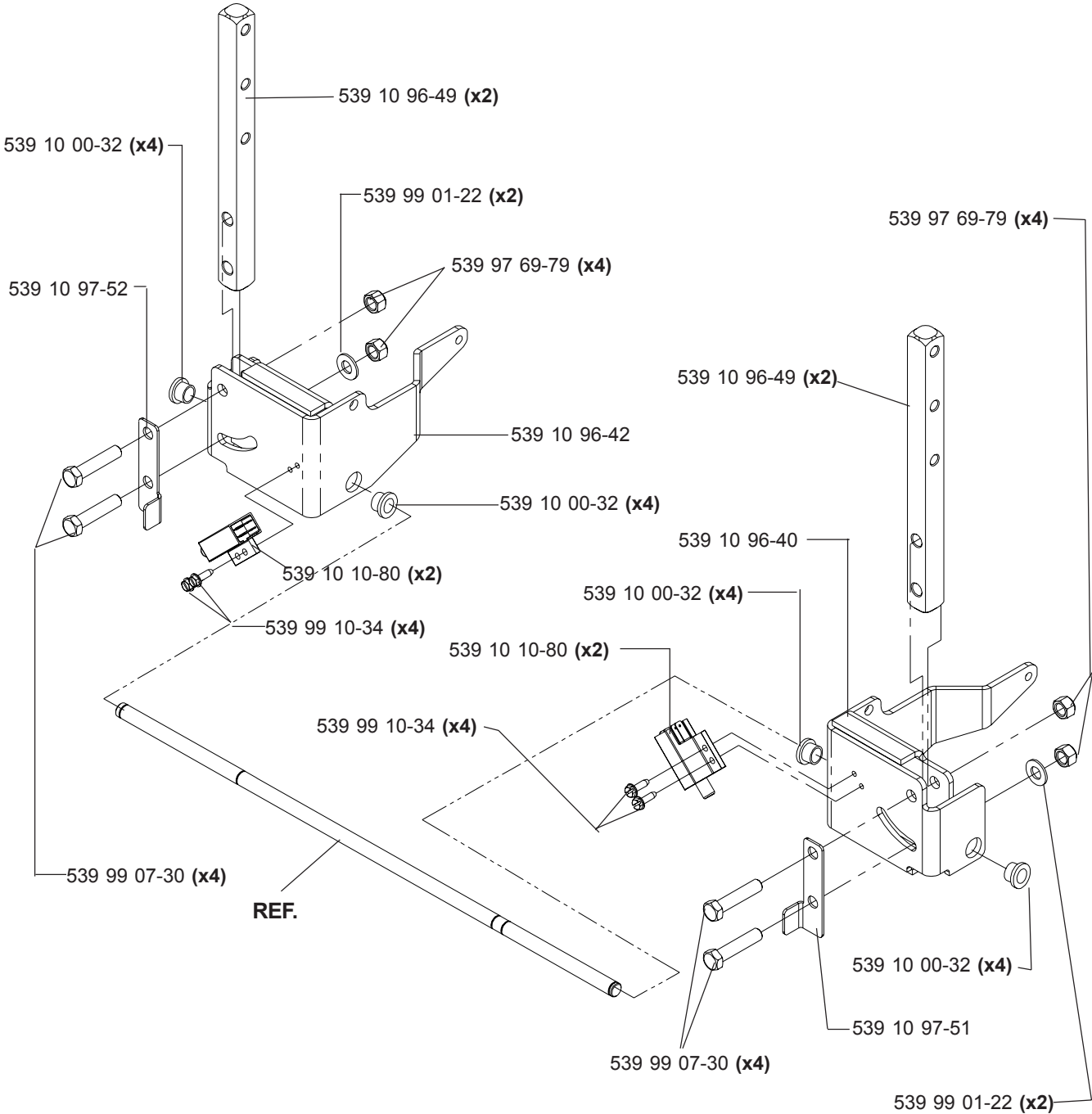
CONSOLE ASSEMBLY



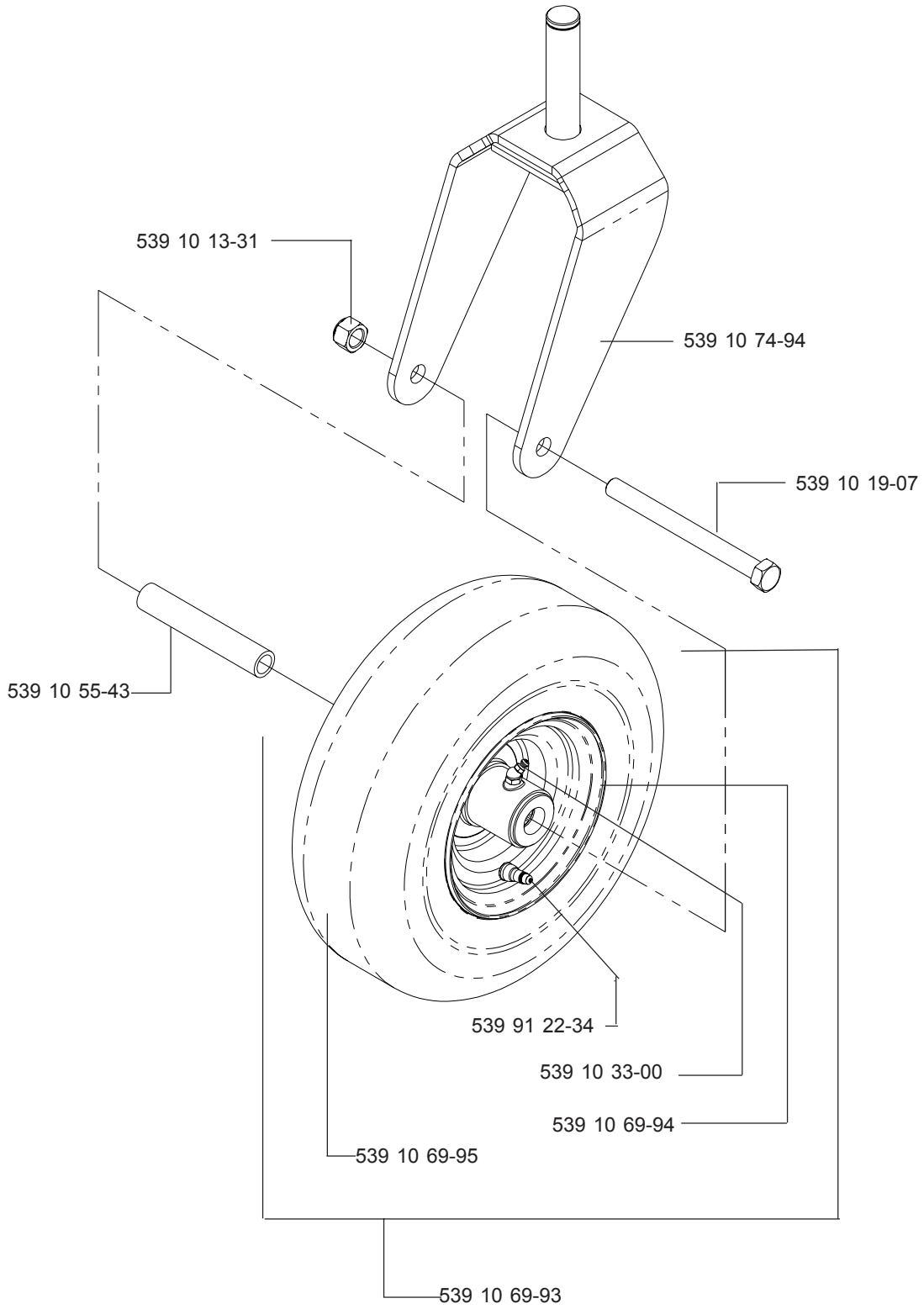
MOTION CONTROL ASSEMBLY



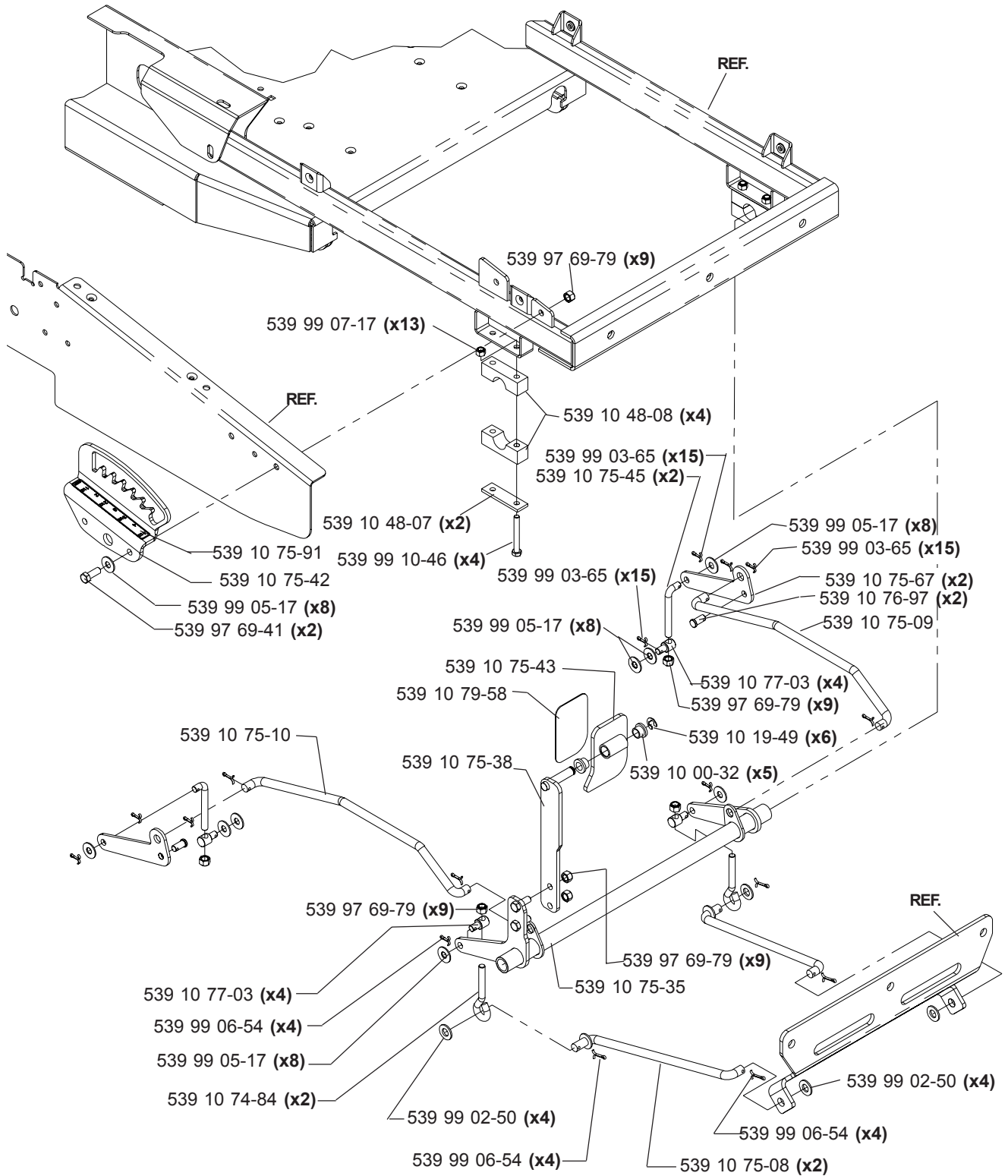
MOTION CONTROL LEVERS



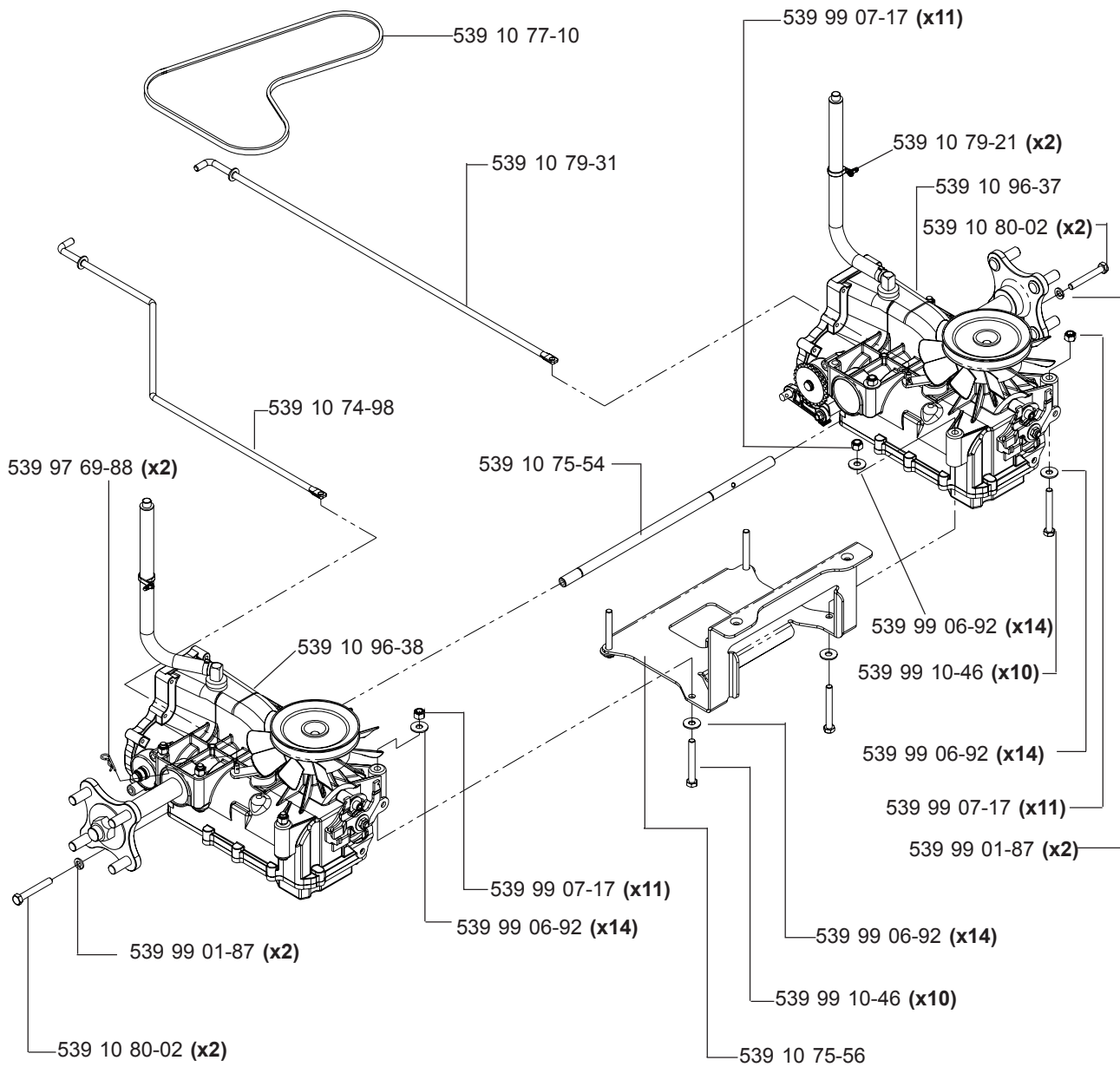
CASTER ASSEMBLY



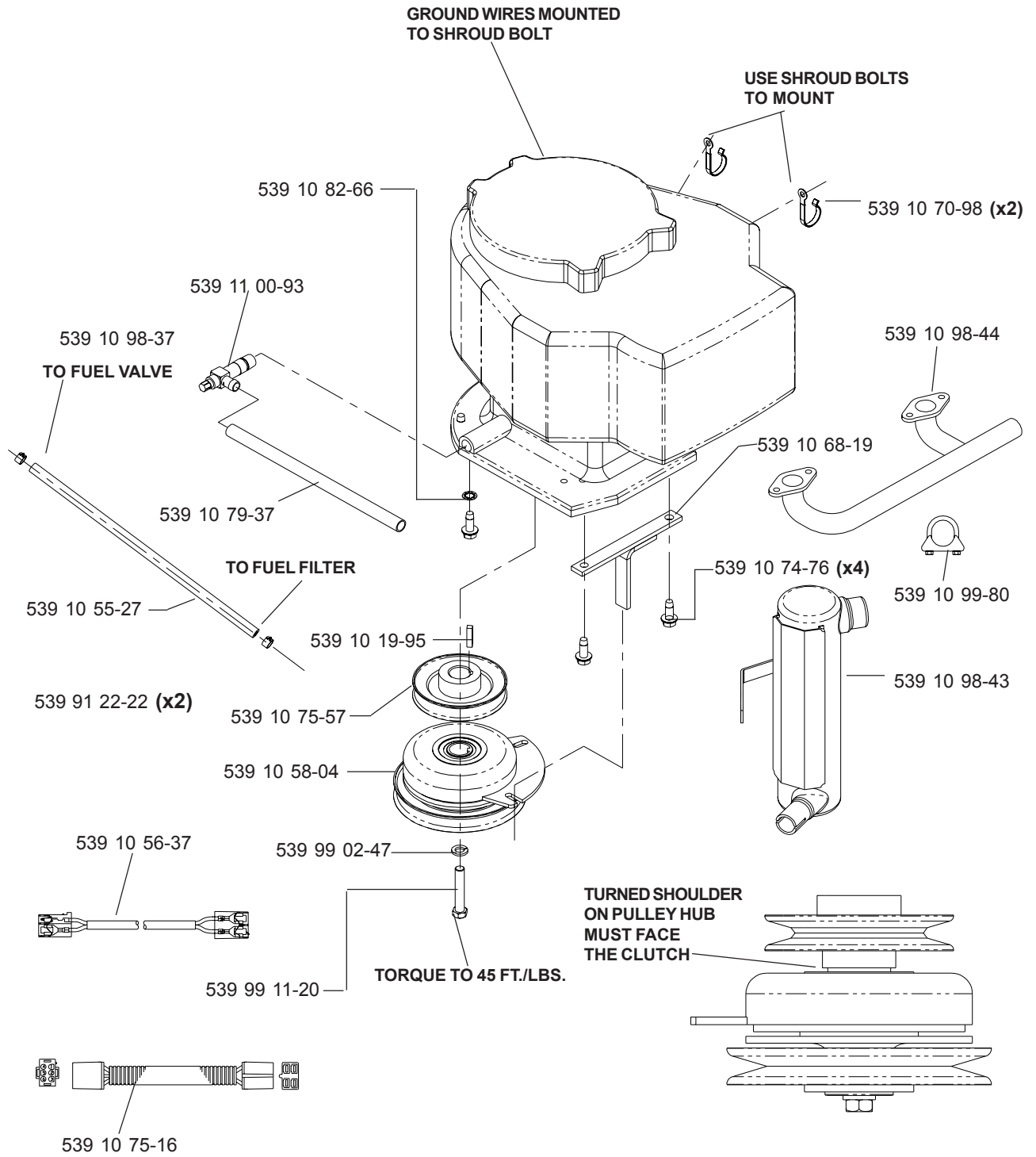
DECK LIFT ASSEMBLY



IZT ASSEMBLY (Integrated Zeroturn Transaxle)

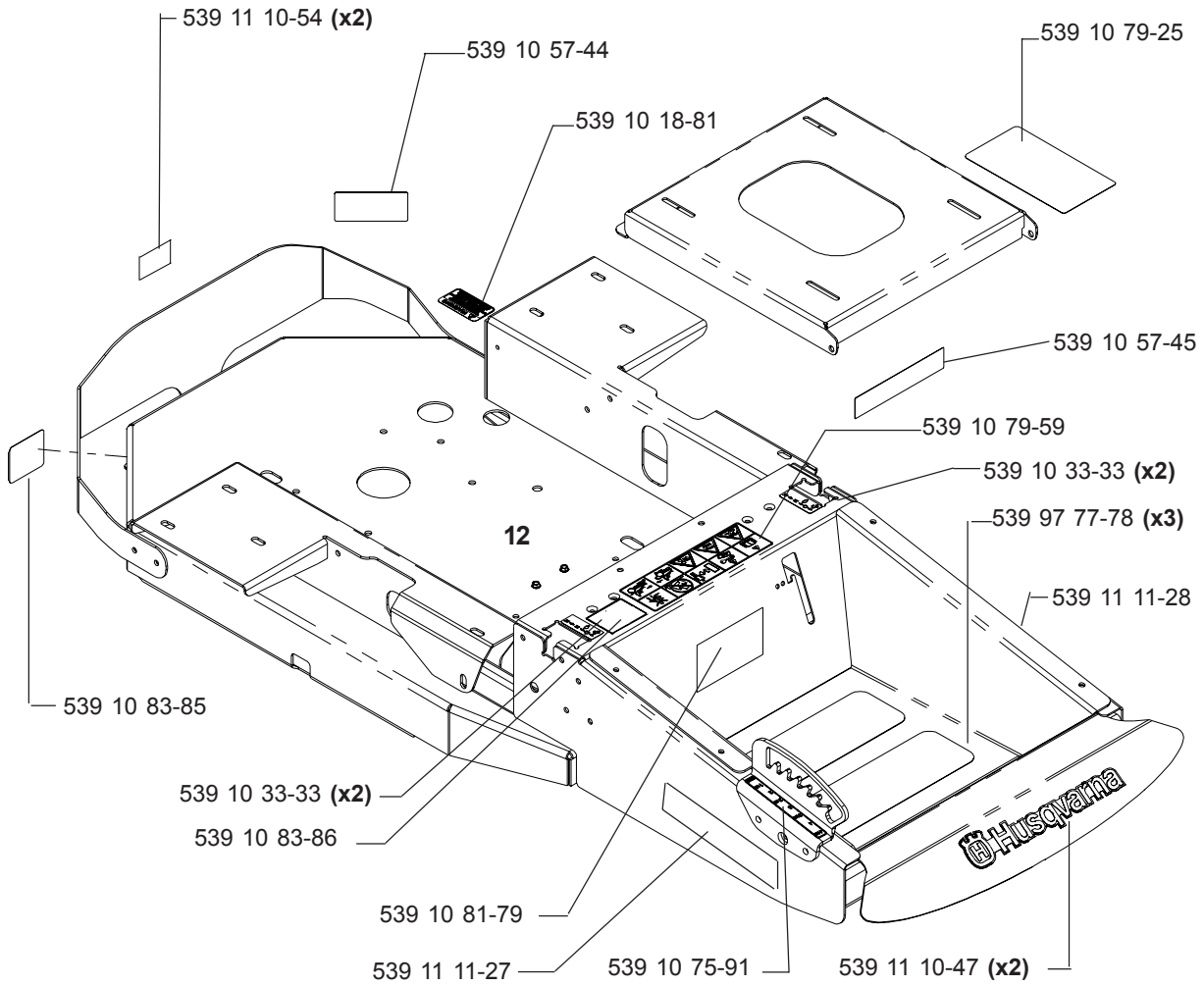


BRIGGS & STRATTON ENGINE ASSEMBLY

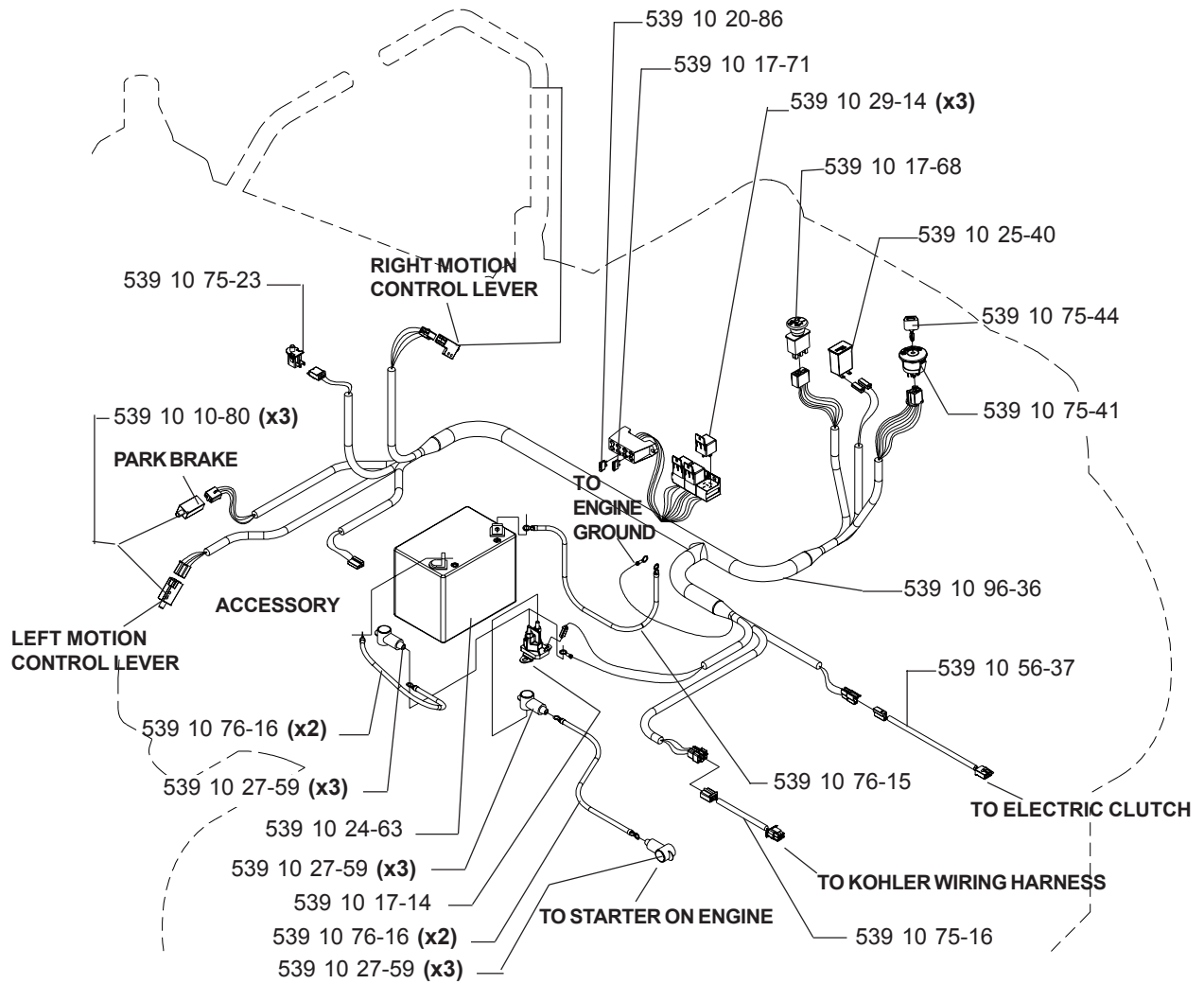


CLAMP, EXHAUST (NOT SHOWN)

DECAL PLACEMENT



ELECTRICAL COMPONENTS



48" DECK ASSEMBLY

